

# PlugMiser™

## PM 190 Food Service Installation Instructions

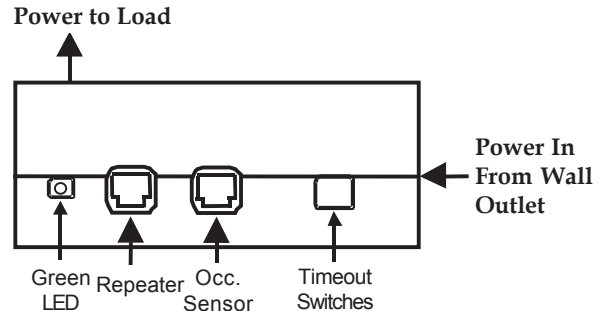
The PM190 is a specially mounted PlugMiser™ designed to operate as an intelligent power controller for food packaging wrappers. To install the PlugMiser, follow these simple steps:

### PlugMiser Power Controller

1. Unplug the packaging wrapper that you would like the PlugMiser to control. Note - Do not exceed the PlugMiser's 1230 watt - 120 Volt load capacity.

### Mounting Bracket Installation

2. The PM190 assembly may be mounted to a table leg beneath the wrapper. This is accomplished using the supplied worm drive clamp as shown in the pictures below. The following guidelines need to be followed when installing the PlugMiser:
  - When selecting a leg for use, the left front leg is preferred - ensure that the selection allows the PlugMiser to be placed so its power cord can reach the wall outlet, and the wrapper's power cord can reach to the PlugMiser.
  - Ensure that the leg location will not protrude into any walkway or into any storage space below the wrapper.
  - The PlugMiser's switches should face down when the unit is installed properly - this ensures that dirt and moisture will not enter the unit.
  - Ensure that the table leg is placed behind the sensor, and that the screw clamp's tightening screw is on the outside of the PlugMiser mounting bracket per the picture.
  - Mount the unit as high as possible off the floor, without allowing it to be deflected by users passing by the table or loading product below the table.



# PlugMiser™

## PM190 Food Service Installation Instructions (Cont'd)

An alternative mounting method, to be used only in cases where there are no legs on the wrapper table, is to Velcro the PlugMiser to the side of the wrapper. To do so, perform the following steps:

- Select a side of the wrapper that will allow PlugMiser placement with the switches face down. Note that bolts on the side of the wrapper may prevent this method from being used. If so, the wrapper cannot support a PlugMiser controller.
- Clean the wrapper surface very well using a non-residue cleanser to remove film, grease, and oils, or the Velcro will not adhere.
- Peel the plastic backing from one side of the Velcro and place it on the PlugMiser.
- Peel the remaining plastic Velcro backing and place the PlugMiser firmly against the side of the wrapper as shown below - the PlugMiser must rest on the table top to ensure its long term retention.



### Power-Up Testing and Installation Validation

Installation is now complete. Plug the wrapper's power cord into the PlugMiser, and connect the PlugMiser's power cord to a wall outlet. Be sure to route the power cables neatly so they will not catch on items being placed on or removed from shelving near the PlugMiser. Verify correct operation of the PlugMiser and occupancy sensor by confirming that the Green light behind the sensor lens comes on after power up. The sensor must be allowed to warm up and stabilize for several minutes before its placement can be verified. During this warm-up period, the sensor may go dark – this is normal behavior.

Once the sensor is warmed up, it will flash Green at the slightest movement within its field of view. Validate that the sensor can "See" the occupant in the work area around the wrapper. It is not necessary for the sensor to "See" customers outside the work area. If necessary, relocate the mounting bracket and repeat the coverage test.

Note that the initial time-out will power off the PlugMiser after 30 seconds of no occupancy to enable complete testing of the installed PlugMiser. All subsequent time-outs will be according to the DIP switch selection (one hour unless modified).