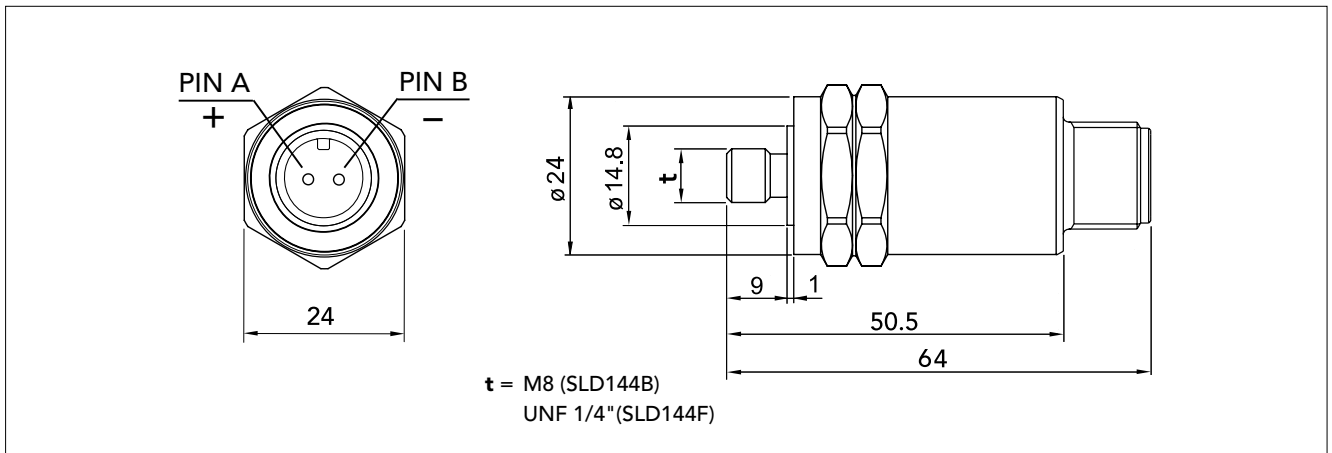


Vibration Transducer SLD144B /SLD144F



The vibration transducer SLD144B and SLD144F are piezoelectric accelerometers of compression type with built-in preamplifier, designed for vibration monitoring of industrial machinery. The electrical signal is isolated from the transducer housing.

The transducer is mounted against a smooth, flat surface on the machine. SLD144B has thread size M8 and SLD144F has thread size UNF 1/4". The transducer is connected via a twisted pair cable with 2 pin connector, compatible with 2 pin MIL-C-5015 style.

Technical data

Nominal sensitivity, main axis: 10 mV/m/s² * =100 mV/g

Transverse sensitivity: max. 10%

Typical base strain sensitivity: 0.01 m/s²/μ strain

Linear frequency range: 2 Hz - 10 kHz (±3 dB)
(-3 dB at 0.7 Hz typ)

Max. peak acceleration: 600 m/s² = 60 g

Settling time: 3 sec

Bias point: 11 to 13 V (typical 12 V)

Temperature range: -40° C to +125° C
(-40° F to 260° F)

Power requirements: 24 V / 2 to 5 mA

Casing: Stainless acid proof steel

Sealing: IP 67 together with appropriate connector

Isolation: Case isolated, > 1 Mohm

Torque limit: 10 Nm (7.4 lbf · ft)

Weight: 110 grams (4 oz)

Connector type: Compatible with 2 pin MIL-C-5015 style

* Individual value given on the calibration chart.

Mounting tools

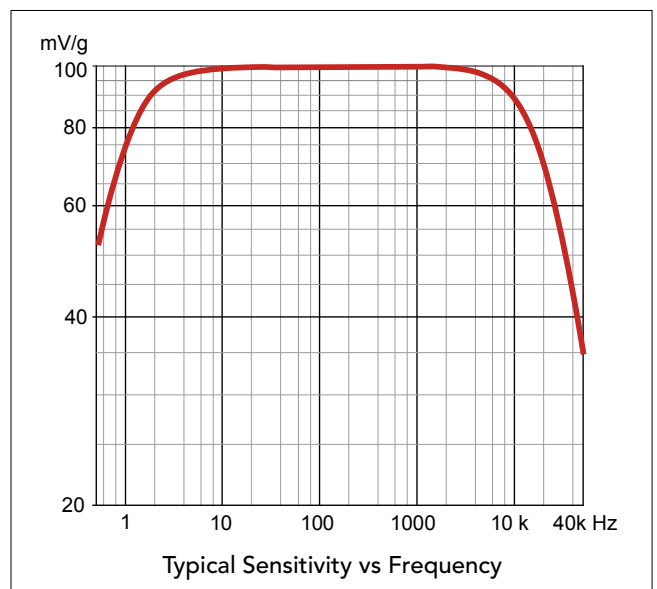
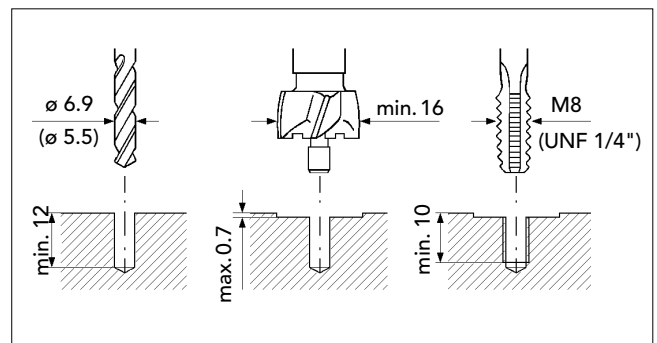
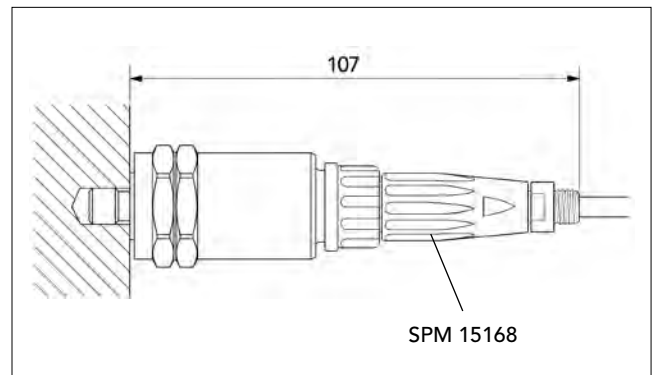
81027 Holder for counterbore

81030 Pilot for UNF 1/4" (SLD144F)

81031 Pilot for M8 (SLD144B)

81057 Counterbore, diameter 20 mm

To drill the mounting hole, use drill bit 6.9 mm for M8 and 5.5 mm for UNF 1/4". Torque the transducer with a 24 mm torque wrench.



SPM

Find Quality Products Online at:

www.GlobalTestSupply.com

sales@GlobalTestSupply.com