

GENERAL PURPOSE GAUGE

PRESSURE GAUGES

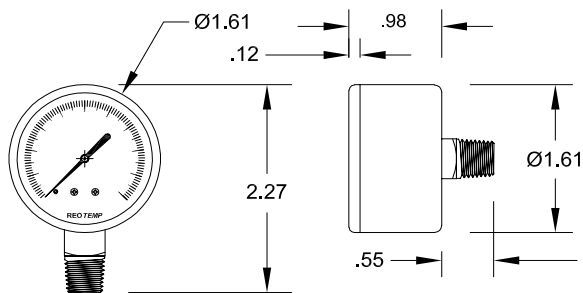
REOTEMP's Series PD offers a wide variety of economical gauges for applications where ambient or process corrosion are not of concern. It is suitable for non-vibrating applications.



PD15

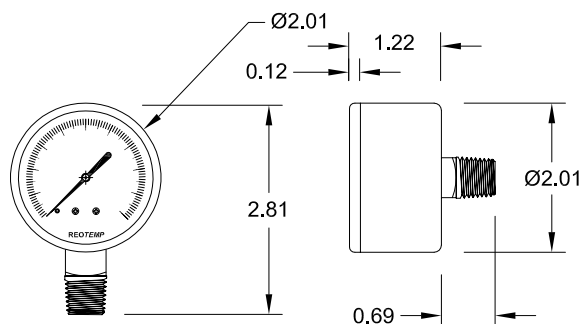
PD20

PD25



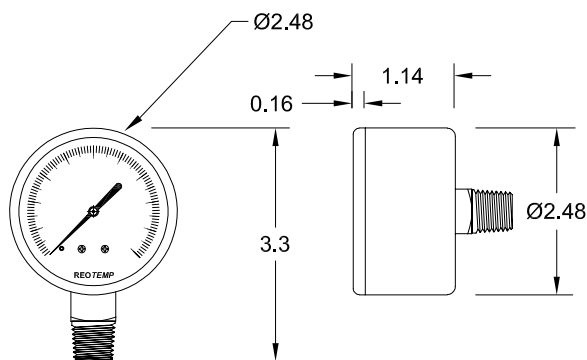
PD15

*dimensions in inches



PD20

*dimensions in inches



PD25

*dimensions in inches

FEATURES / BENEFITS

- Standard Black Steel Case with Snap-In Lens
- Copper Alloy Wetted Parts
- Cost Effective Design








SPECIFICATIONS

| | |
|---|--|
| Accuracy | 3 - 2 - 3%, ASME Grade B |
| Ambient Limits | -40°F/140°F |
| Process Limits | -40°F/140°F |
| Process Limits with Diaphragm Seal | Cannot Be Mounted to a Diaphragm Seal. |
| Wetted Materials | Tube: Copper Alloy Socket: Copper Alloy |
| Lens | Plastic Snap-In or Glass Push-On Bezel |
| Other Materials | Case: Black Painted Steel or Stainless Steel Ring: Snap-In Lens or Push-On Bezel Dial: White Aluminum, Black Letters Case-to-socket: Screw Connection |
| Fillable | No |
| Restrictor Screw | No |
| Maximum Working Pressure | Stable = 100% Momentary = 110% of scale |
| Weight | 1.5" = 0.1 lbs 2" = 0.2 lbs 2.5" = 0.25 lbs |

GENERAL PURPOSE GAUGE

HOW TO ORDER: Choose options to build a part number. For example: PD15N2A8P16-D-P-TP

| PD15 | N | 2 | A | 8 | P16 | -D | -P | -TP |
|--|--|--|---|---|---|--|---|---|
| DIAL SIZE | CASE TYPE | TUBE & SOCKET | MOUNT TYPE | CONNECTION | RANGE CODE | CASE FILL | LENS | OPTIONS |
| <p>PD15 = 1.5"</p> <p>PD20 = 2"</p> <p>PD25 = 2.5"</p> | <p>N = Black Steel Case, Snap-in Plastic Lens</p> <p>*X = SS Case, Snap-in Plastic Lens</p> <p>*B = Black Steel Case, Push-On Bezel with Glass Window</p> <p>*Z = SS Case, Push-On Bezel with Glass Window</p> | <p>2 = Copper Alloy</p> <p>1 = 316SS (Only available on 2" Dial w/ "Z" case)</p> | <p>A =  Bottom</p> <p>*B =  Bottom/Rear Flange</p> <p>C =  Center Back</p> <p>*D =  Center Back "U" Clamp</p> <p>*E =  Center Back/Front Flange</p> | <p>8 = 1/8" NPT</p> <p>4 = 1/4" NPT¹</p> | <p><i>Common Ranges</i></p> <p>P16 = 0-30 psi</p> <p>P17 = 0-60 psi</p> <p>P18 = 0-100 psi</p> <p>P19 = 0-160 psi</p> <p><i>Available Ranges</i></p> <ul style="list-style-type: none"> ■ Vac to 5,000 psi ■ Gauge Pressure, Vacuum, or Compound <p><i>For Additional Range Codes See Page 45</i></p> | <p>-D = Dry</p> <p><i>Case is not fillable.</i></p> | <p>-P = Plastic (N & X case)</p> <p>-G = Glass (B & Z case)</p> | <p>-TP = Paper Tag</p> <p>-CS = Calibration Sticker</p> <p>-TS = Stainless Steel Tag</p> |

*Non-standard configuration
¹Non-standard on PD15

PRESSURE GAUGE RANGES AND CODES

PRESSURE GAUGES

VACUUM/COMPOUND RANGES

| psi | | Dual Scale & psi & Metric | | | | | | Single Scale-Metric | | | | | |
|-----------|-----------|---------------------------|----------------|--------------------------|-------------------------------|-----------|--------------------|---------------------|----------|--------------------|-------------------------|------|--------------|
| "Hg/0/psi | | psi & bar | | psi & kg/cm ² | | psi & kPa | | bar | | kg/cm ² | | kPa | |
| Code | Range | Code | Range | Code | Range | Code | Range | Code | Range | Code | Range | Code | Range |
| P01 | -30"Hg/0 | D01 | "Hg & -1/0 bar | G01 | "Hg & -1/0 kg/cm ² | L01 | "Hg & -100/0 kPa | B00 | -1/0 bar | K00 | -1/0 kg/cm ² | A00 | -100/0 kPa |
| P02 | -30/0/15 | D02 | psi & -1/0/1 | G02 | psi & -1/0/1 | L02 | psi & -100/0/100 | B01 | -1/0/1 | K01 | -1/0/1 | A01 | -100/0/100 |
| P03 | -30/0/30 | D03 | psi & -1/0/2 | G03 | psi & -1/0/2 | L03 | psi & -100/0/200 | B02 | -1/0/2 | K02 | -1/0/2 | A02 | -100/0/200 |
| P04 | -30/0/60 | D04 | psi & -1/0/4 | G04 | psi & -1/0/4 | L04 | psi & -100/0/400 | B04 | -1/0/4 | K04 | -1/0/4 | A04 | -100/0/400 |
| P05 | -30/0/100 | D05 | psi & -1/0/7 | G05 | psi & -1/0/7 | L05 | psi & -100/0/700 | B07 | -1/0/7 | K07 | -1/0/7 | A07 | -100/0/700 |
| P06 | -30/0/160 | D06 | psi & -1/0/11 | G06 | psi & -1/0/11 | L06 | psi & -100/0/1,100 | B011 | -1/0/11 | K011 | -1/0/11 | A011 | -100/0/1,100 |
| P07 | -30/0/200 | D07 | psi & -1/0/14 | G07 | psi & -1/0/14 | L07 | psi & -100/0/1,400 | B014 | -1/0/14 | K014 | -1/0/14 | A014 | -100/0/1,400 |
| P08 | -30/0/300 | D08 | psi & -1/0/20 | G08 | psi & -1/0/20 | L08 | psi & -100/0/2,000 | B020 | -1/0/20 | K020 | -1/0/20 | A020 | -100/0/2,000 |

PRESSURE RANGES

| psi | | Dual Scale & psi & Metric | | | | | | Single Scale-Metric | | | | | |
|------|----------|---------------------------|---------------|--------------------------|-----------------------------|-----------|-----------------|---------------------|---------|--------------------|------------------------|------|-----------|
| psi | | psi & bar | | psi & kg/cm ² | | psi & kPa | | bar | | kg/cm ² | | kPa | |
| Code | Range | Code | Range | Code | Range | Code | Range | Code | Range | Code | Range | Code | Range |
| P14 | 0-10 psi | D14 | psi & .7 bar | G14 | psi & .7 kg/cm ² | L14 | psi & 70 kPa | | | | | | |
| P15 | 0-15 | D15 | psi & 0-1 | G15 | psi & 0-1 | L15 | psi & 0-100 | B1 | 0-1 bar | K1 | 0-1 kg/cm ² | A1 | 0-100 kPa |
| P16 | 0-30 | D16 | psi & 0-2 | G16 | psi & 0-2 | L16 | psi & 0-200 | B2 | 0-2 | K2 | 0-2 | A2 | 0-200 |
| P17 | 0-60 | D17 | psi & 0-4 | G17 | psi & 0-4 | L17 | psi & 0-400 | B4 | 0-4 | K4 | 0-4 | A4 | 0-400 |
| P18 | 0-100 | D18 | psi & 0-7 | G18 | psi & 0-7 | L18 | psi & 0-700 | B7 | 0-7 | K7 | 0-7 | A7 | 0-700 |
| P19 | 0-160 | D19 | psi & 0-11 | G19 | psi & 0-11 | L19 | psi & 0-1,100 | B11 | 0-11 | K11 | 0-11 | A11 | 0-1,100 |
| P20 | 0-200 | D20 | psi & 0-14 | G20 | psi & 0-14 | L20 | psi & 0-1,400 | B14 | 0-14 | K14 | 0-14 | A14 | 0-1,400 |
| P21 | 0-300 | D21 | psi & 0-20 | G21 | psi & 0-20 | L21 | psi & 0-2,000 | B20 | 0-20 | K20 | 0-20 | A20 | 0-2,000 |
| P22 | 0-400 | D22 | psi & 0-28 | G22 | psi & 0-28 | L22 | psi & 0-2,800 | B28 | 0-28 | K28 | 0-28 | A28 | 0-2,800 |
| P23 | 0-600 | D23 | psi & 0-40 | G23 | psi & 0-40 | L23 | psi & 0-4,000 | B40 | 0-40 | K40 | 0-40 | A40 | 0-4,000 |
| P24 | 0-800 | D24 | psi & 0-55 | G24 | psi & 0-55 | L24 | psi & 0-5,500 | B55 | 0-55 | K55 | 0-55 | A55 | 0-5,500 |
| P25 | 0-1,000 | D25 | psi & 0-70 | G25 | psi & 0-70 | L25 | psi & 0-7,000 | B70 | 0-70 | K70 | 0-70 | A70 | 0-7,000 |
| P30 | 0-1,500 | D30 | psi & 0-100 | G30 | psi & 0-100 | L30 | psi & 0-10,000 | B100 | 0-100 | K100 | 0-100 | A100 | 0-10,000 |
| P31 | 0-2,000 | D31 | psi & 0-140 | G31 | psi & 0-140 | L31 | psi & 0-14,000 | B140 | 0-140 | K140 | 0-140 | A140 | 0-14,000 |
| P32 | 0-3,000 | D32 | psi & 0-200 | G32 | psi & 0-200 | L32 | psi & 0-20,000 | B200 | 0-200 | K200 | 0-200 | A200 | 0-20,000 |
| P33 | 0-4,000 | D33 | psi & 0-280 | G33 | psi & 0-280 | L33 | psi & 0-28,000 | B280 | 0-280 | K280 | 0-280 | A280 | 0-28,000 |
| P34 | 0-5,000 | D34 | psi & 0-350 | G34 | psi & 0-350 | L34 | psi & 0-35,000 | B350 | 0-350 | K350 | 0-350 | A350 | 0-35,000 |
| P35 | 0-6,000 | D35 | psi & 0-400 | G35 | psi & 0-400 | L35 | psi & 0-40,000 | B400 | 0-400 | K400 | 0-400 | A400 | 0-40,000 |
| P36 | 0-8,000 | D36 | psi & 0-550 | G36 | psi & 0-550 | L36 | psi & 0-55,000 | B550 | 0-550 | K550 | 0-550 | A550 | 0-55,000 |
| P37 | 0-10,000 | D37 | psi & 0-700 | G37 | psi & 0-700 | L37 | psi & 0-70,000 | B700 | 0-700 | K700 | 0-700 | A700 | 0-70,000 |
| P38 | 0-15,000 | D38 | psi & 0-1,000 | G38 | psi & 0-1,000 | L38 | psi & 0-100,000 | B1K | 0-1,000 | K1K | 0-1,000 | A1K | 0-100,000 |
| P39 | 0-20,000 | D39 | psi & 0-1,400 | G39 | psi & 0-1,400 | L39 | psi & 0-140,000 | | | | | | |
| P40 | 0-30,000 | D40 | psi & 0-2,000 | G40 | psi & 0-2,000 | L40 | psi & 0-200,000 | | | | | | |
| P41 | 0-40,000 | D41 | psi & 0-2,800 | G41 | psi & 0-2,800 | L41 | psi & 0-280,000 | | | | | | |
| P42 | 0-50,000 | D42 | psi & 0-3,500 | G42 | psi & 0-3,500 | L42 | psi & 0-350,000 | | | | | | |

PRESSURE GAUGE OPTIONS

| Part # | Description | Heavy-Duty Industrial Gauges | | | | Process Gauges | | | Stainless Steel Case Industrial Gauges | | | Commercial Gauges | | Low Pressure Capsule Gauges | | | Test Gauges |
|------------------------------|--|------------------------------|------|------|------|----------------|-------|------|--|-------|-------|-------------------|---------|-----------------------------|-------|------------|-------------|
| | | PR25 | PR35 | PR40 | PR60 | PT45P | PT45T | PI45 | PM | PG**C | PG**S | PD15/20/25 | PD35/40 | PC25N | PC25S | PC40/45/60 | PL60/45 |
| CASE FILL OPTIONS | | | | | | | | | | | | | | | | | |
| -G | Glycerin Filled Case | ✓ | ✓ | ✓ | ✓ | ✓ | ✓ | N/A | ✓ | ✓ | ✓ | N/A | N/A | N/A | N/A | N/A | N/A |
| -W | Glycerin Water Filled Case (65/35) | ✓ | ✓ | ✓ | ✓ | ✓ | ✓ | N/A | ✓ | ✓ | ✓ | N/A | N/A | N/A | N/A | N/A | N/A |
| -S | Silicone Filled Case | ✓ | ✓ | ✓ | ✓ | ✓ | ✓ | N/A | ✓ | N/A | ✓ | N/A | N/A | N/A | N/A | N/A | N/A |
| -T | Teflon-coated Movement (No case fill) | ✓ | ✓ | ✓ | ✓ | ✓ | ✓ | ✓ | N/A | N/A | N/A | N/A | N/A | N/A | ✓ | ✓ | ✓ |
| -I | Inert Case Fill | ✓ | ✓ | ✓ | ✓ | ✓ | ✓ | N/A | N/A | N/A | N/A | N/A | N/A | N/A | N/A | N/A | N/A |
| LENS OPTIONS | | | | | | | | | | | | | | | | | |
| -P | Plastic Lens | STD | ✓ | ✓ | ✓ | ✓ | ✓ | STD | STD | STD | ✓ | ✓ | MQ | ✓ | ✓ | ✓ | ✓ |
| -T | Tempered Safety Glass Lens | ✓ | STD | STD | STD | STD | STD | N/A | N/A | N/A | STD | N/A | N/A | N/A | STD | STD | STD |
| -S | Laminated Safety Glass Lens | ✓ | ✓ | ✓ | ✓ | ✓ | ✓ | N/A | N/A | N/A | ✓ | N/A | N/A | ✓ | ✓ | ✓ | ✓ |
| -G | Plain Glass | N/A | N/A | N/A | N/A | N/A | N/A | N/A | MQ | MQ | N/A | MQ | STD | N/A | N/A | N/A | N/A |
| POINTER OPTIONS | | | | | | | | | | | | | | | | | |
| -RP | Red Pointer | ✓ | ✓ | ✓ | ✓ | ✓ | ✓ | N/A | N/A | ✓ | N/A | N/A | N/A | ✓ | ✓ | ✓ | ✓ |
| -MP | Min/Max Pointer (Drag Hand)† | ✓ | N/A | ✓ | ✓ | ✓ | N/A | N/A | N/A | N/A | ✓ | N/A | N/A | N/A | N/A | N/A | N/A |
| -MQ | Min/Max Pointer (Tamper-proof)† | ✓ | N/A | ✓ | ✓ | ✓ | N/A | N/A | N/A | N/A | ✓ | N/A | N/A | N/A | N/A | N/A | N/A |
| -RH | Red Set Hand (Manual Adjustment) | N/A | N/A | N/A | N/A | ✓ | N/A | N/A | N/A | N/A | N/A | N/A | N/A | N/A | N/A | N/A | N/A |
| -EC | Electrical Contacts | N/A | N/A | ✓ | N/A | ✓ | N/A | N/A | N/A | N/A | N/A | N/A | N/A | N/A | N/A | N/A | N/A |
| DIAL OPTIONS | | | | | | | | | | | | | | | | | |
| -CL | Custom Logo Dial | ✓ | ✓ | ✓ | ✓ | ✓ | ✓ | MQ | MQ | ✓ | MQ | MQ | MQ | ✓ | ✓ | ✓ | ✓ |
| -HV | Hi-Vis Dial | ✓ | ✓ | ✓ | ✓ | ✓ | ✓ | N/A | N/A | ✓ | N/A | N/A | N/A | ✓ | ✓ | ✓ | N/A |
| -CB | Color Band | ✓ | ✓ | ✓ | ✓ | ✓ | ✓ | MQ | MQ | ✓ | MQ | MQ | MQ | ✓ | ✓ | ✓ | N/A |
| -CP | Color Pie | ✓ | ✓ | ✓ | ✓ | ✓ | ✓ | MQ | MQ | ✓ | MQ | MQ | MQ | ✓ | ✓ | ✓ | N/A |
| -DM | Dial Marking | ✓ | ✓ | ✓ | ✓ | ✓ | ✓ | MQ | MQ | ✓ | MQ | MQ | ✓ | ✓ | ✓ | ✓ | ✓ |
| -LP | Removable Lens Protector | N/A | N/A | N/A | N/A | ✓ | ✓ | ✓ | N/A | N/A | N/A | N/A | N/A | N/A | N/A | N/A | N/A |
| CALIBRATION OPTIONS | | | | | | | | | | | | | | | | | |
| -R1 | Upgrade to 1% FS Accuracy | ✓ | ✓ | STD | STD | N/A | N/A | N/A | N/A | N/A | ✓ | N/A | N/A | N/A | N/A | N/A | N/A |
| -R2 | Upgrade to 0.5% FS Accuracy | N/A | N/A | ✓ | ✓ | STD | STD | STD | N/A | N/A | N/A | N/A | N/A | N/A | N/A | N/A | N/A |
| -R5 | Upgrade to 1.5% FS Accuracy | ✓ | ✓ | N/A | N/A | N/A | N/A | N/A | N/A | N/A | N/A | N/A | N/A | ✓ | ✓ | ✓ | N/A |
| -C1 | 1pt. NIST Calibration Cert | ✓ | ✓ | ✓ | ✓ | ✓ | ✓ | ✓ | ✓ | ✓ | ✓ | ✓ | ✓ | ✓ | ✓ | ✓ | N/A |
| -C3 | 3pt. NIST Calibration Cert | ✓ | ✓ | ✓ | ✓ | ✓ | ✓ | ✓ | ✓ | ✓ | ✓ | ✓ | ✓ | ✓ | ✓ | ✓ | N/A |
| -C5 | 5pt. NIST Calibration Cert | ✓ | ✓ | ✓ | ✓ | ✓ | ✓ | ✓ | ✓ | ✓ | ✓ | ✓ | ✓ | ✓ | ✓ | ✓ | N/A |
| -CX | 10pt. NIST Calibration Cert | ✓ | ✓ | ✓ | ✓ | ✓ | ✓ | ✓ | ✓ | ✓ | ✓ | ✓ | ✓ | ✓ | ✓ | ✓ | STD |
| -CS | Calibration Sticker (No logged pts.) | ✓ | ✓ | ✓ | ✓ | ✓ | ✓ | ✓ | ✓ | ✓ | ✓ | ✓ | ✓ | ✓ | ✓ | ✓ | N/A |
| TAG OPTION | | | | | | | | | | | | | | | | | |
| -TS | Stainless Steel Tag (1-10 Characters) | ✓ | ✓ | ✓ | ✓ | ✓ | ✓ | ✓ | ✓ | ✓ | ✓ | ✓ | ✓ | ✓ | ✓ | ✓ | ✓ |
| -TM | Stainless Steel Tag (11-80 characters) | ✓ | ✓ | ✓ | ✓ | ✓ | ✓ | ✓ | ✓ | ✓ | ✓ | ✓ | ✓ | ✓ | ✓ | ✓ | ✓ |
| -TP | Paper Tag | ✓ | ✓ | ✓ | ✓ | ✓ | ✓ | ✓ | ✓ | ✓ | ✓ | ✓ | ✓ | ✓ | ✓ | ✓ | ✓ |
| CERTIFICATION OPTIONS | | | | | | | | | | | | | | | | | |
| -CM | General Material Conformance | ✓ | ✓ | ✓ | ✓ | ✓ | ✓ | ✓ | ✓ | ✓ | ✓ | ✓ | ✓ | ✓ | ✓ | ✓ | ✓ |
| -NC | Certificate of NACE Compliance | ✓ | ✓ | ✓ | ✓ | ✓ | ✓ | N/A | N/A | N/A | N/A | N/A | N/A | ✓ | ✓ | ✓ | ✓ |
| -PM | Positive Material Identification Certificate (PMI) | ✓ | ✓ | ✓ | ✓ | ✓ | ✓ | ✓ | ✓ | ✓ | ✓ | ✓ | ✓ | ✓ | ✓ | ✓ | ✓ |
| -HT | Hydrostatic Test per ASME B31.3 (5 min) | ✓ | ✓ | ✓ | ✓ | ✓ | ✓ | ✓ | ✓ | ✓ | ✓ | ✓ | ✓ | ✓ | ✓ | ✓ | ✓ |
| -LC | Argon Leak Check Certificate | ✓ | ✓ | ✓ | ✓ | ✓ | ✓ | ✓ | ✓ | ✓ | ✓ | ✓ | ✓ | ✓ | ✓ | ✓ | ✓ |
| CLEANING OPTIONS | | | | | | | | | | | | | | | | | |
| -DG | Degreased - Wiped Clean of Oils, Shipped in Sealed Bag | ✓ | ✓ | ✓ | ✓ | ✓ | ✓ | N/A | N/A | ✓ | N/A | N/A | ✓ | ✓ | ✓ | ✓ | ✓ |
| -OX | Cleaned for Oxygen Service per ASME B40.1 | ✓ | ✓ | ✓ | ✓ | ✓ | ✓ | MQ | MQ | ✓ | MQ | MQ | ✓ | ✓ | ✓ | ✓ | ✓ |
| -OY | Cleaned for Oxygen Service per MIL-STD-1330D | ✓ | ✓ | ✓ | ✓ | ✓ | ✓ | N/A | N/A | ✓ | N/A | N/A | ✓ | ✓ | ✓ | ✓ | ✓ |
| OTHER OPTIONS | | | | | | | | | | | | | | | | | |
| -NR | No Restrictor Screw | ✓ | ✓ | ✓ | ✓ | ✓ | ✓ | ✓ | N/A | N/A | N/A | N/A | N/A | N/A | N/A | ✓ | N/A |
| -FI | Dry Gauge Shipped with Fill Plug Installed | N/A | N/A | N/A | N/A | ✓ | N/A | N/A | N/A | N/A | N/A | N/A | N/A | N/A | N/A | N/A | N/A |

PRESSURE GAUGES

| | | | |
|-----|--|-----|--|
| ✓ | Indicates that the option is available with the model. | N/A | Indicates the option is not available with this model. |
| STD | Indicates standard options with no additional cost. | MQ | Minimum order quantity applies. |

†This option is only available with a plastic lens.