



The HOBO MX pH and Temperature logger is designed for long-term monitoring of pH in aquatic systems. With a replaceable pH electrode and anti-biofouling copper guard, this durable logger can be deployed in both fresh and salt water environments. This logger is Bluetooth® Low Energy-enabled for wireless communication with a mobile device. Using the HOBOMobile® app, you can easily calibrate and configure the logger, download logged data to your phone or tablet, or automatically upload the data to HOBOLink® for further analysis. You can also configure the logger to calculate statistics, set up alarms to trip at specific thresholds, or enable burst logging in which sensor readings are logged at a faster interval when the pH or temperature rises above or falls below certain limits.

HOBO MX pH and Temperature Logger

MX2501

Included Items:

- pH electrode in storage solution
- Electrode storage solution bottle and cap
- Anti-biofouling copper guard
- Silicone-based O-ring grease and foam swab

Required Items:

- HOBOMobile app
- Device with iOS and Bluetooth
- Deionized or distilled water and squirt bottle
- Calibration solutions

Accessories:

- Replacement pH electrode (MX2500-ELECTRODE)
- Calibration kit with three bottles: pH 4.01, 7.00, and 10.00 calibration solution (MX2500-CAL-KIT) and calibration beaker (MX2500-CAL-BKR)
- Maintenance kit with calibration kit plus storage solution (MX2500-MAINT-KIT)
- pH 4.01 calibration solution (MX2500-CAL-4)
- pH 7.00 calibration solution (MX2500-CAL-7)
- pH 10.00 calibration solution (MX2500-CAL-10)
- Electrode storage solution (MX2500-STORE-SOLN)
- Replacement sensor end cap (MX2500-END-CAP)
- Replacement anti-biofouling copper guard (MX2500-GUARD)

Specifications

pH Sensor

	in pH	in mV
Range	2.00 to 12.00 pH	-512 to 512 mV
Accuracy	±0.10 pH units within ±10°C of temperature at calibration	±0.20 mV
Resolution	0.01 pH	0.02 mV
Response Time	1 minute typical to 90% at constant temperature in stirred water	



Temperature Sensor

Range	-2° to 50°C (28.4° to 122°F)
Accuracy	±0.2°C (±0.36°F)
Resolution	0.024°C at 25°C (0.04°F at 77°F)
Response Time	7 minutes typical to 90% in stirred water

Logger

Operating Range	-2° to 50°C (28.4° to 122°F) — non-freezing
Buoyancy	Fresh water: 13.6 g (0.48 oz) negative Salt water: 19.6 g (0.69 oz) negative
Waterproof	To 40 m (131.2 ft)
Water Detection	Water conductivity level of 100 µS/cm or greater is necessary for reliable detection of water. Deionized water or water below 100 µS/cm may not be detected. The water conductivity circuit may not reliably detect water that has frozen around the electrodes, i.e. below 0°C (32°F).
Radio Power	1 mW (0 dBm)
Transmission Range	Approximately 30.5 m (100 ft) line-of-sight in air
Wireless Data Standard	Bluetooth Low Energy (Bluetooth Smart)
Logging Rate	1 second to 18 hours
Logging Modes	Fixed interval (normal, statistics) or burst
Memory Modes	Wrap when full or stop when full
Start Modes	Immediate, push button, date & time, or next interval
Stop Modes	When memory is full, push button, date & time, or after a set logging period
Time Accuracy	±1 minute per month 0° to 50°C (32° to 122°F)
Battery Type	One AA 1.5 Volt, user-replaceable
Battery Life	1 year typical at 25°C (77°F) with logging interval of 1 minute and Bluetooth Always On selected in software. 2 years typical at 25°C (77°F) with logging interval of 1 minute and Bluetooth Off Water Detect enabled in software. 3 years typical at 25°C (77°F) with logging interval of 1 minute and Bluetooth Always Off selected in software. Faster logging intervals and statistics sampling intervals, burst logging, remaining connected with the app, excessive downloads, and paging may impact battery life.

Specifications (continued)

pH Electrode Life	6 months
Memory	152 KB (43,300 measurements, maximum)
Full Memory Download Time	Approximately 60 seconds; may take longer the further the mobile device is from the logger
Dimensions	22.86 x 4.27 cm (9.0 x 1.68 inches)
Weight	268.2 g (9.46 oz)
Wetted Materials	Logger: PVC housing and sensor end cap, polycarbonate closure caps and mounting end cap with a TPE switch pH electrode: plastic-bodied with Pellon® junctions and gel electrolyte, glass pH sensor bulb
Environmental Rating	IP68
	The CE Marking identifies this product as complying with all relevant directives in the European Union (EU).
	See last page

Logger Components and Operation



Anti-Biofouling Copper Guard: Use this guard to protect the pH electrode when deploying the logger in water prone to biofouling (see *Deploying and Mounting the Logger*).

Closure Caps: These caps are screwed onto the sensor end and the mounting end (or top end) of the logger.

Sensor End Cap: This is the bottom end of the logger where the pH electrode is installed, and the temperature sensor and water detection screws are located.

Temperature Sensor: The temperature sensor is located at the base of the sensor end cap.

Water Detection Screws: These two screws on the sensor end cap can detect the presence of water. This allows you to configure the logger in a power-saving mode in which Bluetooth advertising is active only when the logger is removed from water. See *Configuring the Logger* for details. **Note:** The logger will check for the presence of water every 15 seconds

when the Bluetooth Off Water Detect power-saving mode is selected.

pH Electrode: This is the electrode that is plugged into the logger. The clear plastic end houses a glass pH sensor bulb that must always be placed in storage solution when not deployed in water. This electrode must be replaced every 6 months. See *Installing the pH Electrode* for details.

Logger Housing: This is the main body of the logger.

Battery Holder: This is where one AA battery is installed under a battery strap (see *Battery Information*).

Reed Switch: This is used in conjunction with the magnetic switch on the mounting end cap.

LEDs: The blue LED blinks every 4 seconds when the logger is logging (unless Show LED is disabled as described in *Configuring the Logger*). The blue LED blinks every 8 seconds if the logger is waiting to start logging because it was configured to start “On

Button Push” or with a delayed start. The blue LED blinks every 4 seconds when an alarm is tripped (unless the Show LED option is disabled). The blue and red LEDs will blink once when you press the magnetic switch to wake up the logger or will blink four times when you press the switch to start or stop logging. If you select Page Logger LED in the HOBOMobile app, the red LED will be illuminated for 5 seconds.

Mounting Hole: Use the hole on the mounting end of the logger to attach it to a cable or cord for deployment (see *Deploying and Mounting the Logger*).

Switch: This magnetic switch on the mounting end of the logger works in conjunction with the reed switch. Press this switch for 3 seconds to start or stop the logger when it is configured to start or stop “On Button Push” (see *Configuring the Logger*). Press this switch for 1 second to wake up the logger (if configured with Bluetooth Always Off as described in *Configuring the Logger*).

Installing the pH Electrode

The logger is shipped with the pH electrode uninstalled and the glass pH sensor placed in a small bottle filled with storage solution as shown below.



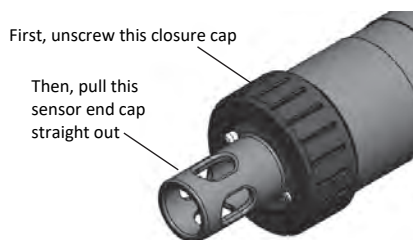
Important: The pH sensor must be kept in storage solution when not being calibrated or deployed in water. The hydration layer surrounding the sensor starts to break down after 10 minutes if the pH sensor is not submerged in storage solution, calibration solution, or water. Once the layer breaks down or is destroyed, the pH sensor will not provide accurate readings.

When the pH sensor is properly kept in storage solution or deployed in water, the hydration layer can last for 6 months. The hydration layer then naturally breaks down and will result in unstable readings. Therefore, install a new pH electrode every 6 months.

Important: New pH electrodes are uncalibrated. Once a pH electrode is installed in the logger for the first time, it must be calibrated before configuring and deploying the logger (see *Configuring the Logger*).

To install the pH electrode in the logger:

1. Unscrew the closure cap over the sensor end cap of the logger. Pull the sensor end cap straight out from the logger without twisting it.

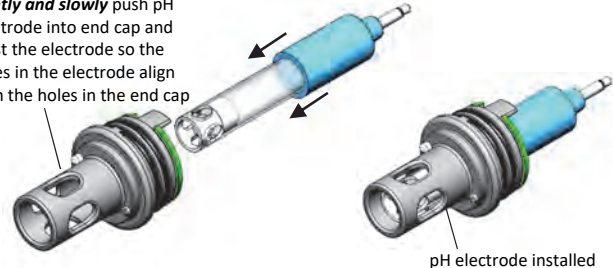


2. If this is the first time you’re installing a pH electrode, skip to step 3. If a pH electrode is currently installed, **gently and slowly** remove it from the sensor end cap. (**Note:** Removing the electrode too quickly could result in unseating the internal O-rings.) Use a foam swab dipped in water to clean the internal O-rings. Use the foam swab to spread a small dot of silicone-based grease along both the O-rings inside the sensor end cap. Do not use a cotton swab as the fibers on the swab can interfere with the operation of the electrode.

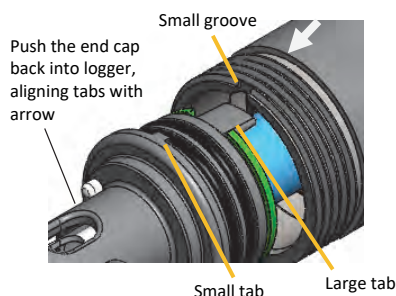


3. Remove the pH electrode from the shipping bottle and wipe the outer plastic body dry with a soft paper or cloth towel. **Never touch the glass bulb inside the clear plastic end of the probe.**
4. Remembering not to touch the glass bulb, push the pH electrode **gently and slowly** into the sensor end cap. You will feel the pH electrode pause as it passes through two internal O-rings inside the sensor end cap (shown with step 2). Make sure the internal O-rings are still in place as the probe is pushed into the sensor end cap. **Note:** If done too quickly, this process can unseat the internal O-rings.
5. Gently twist the electrode so that the holes in the clear electrode body line up with the holes in the end cap. Continue to gently push it into place until the clear plastic is fully seated in the end cap as shown.

Gently and slowly push pH electrode into end cap and twist the electrode so the holes in the electrode align with the holes in the end cap

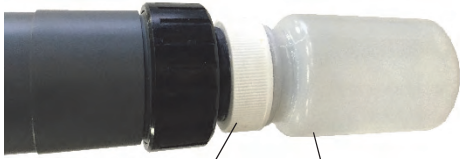


6. Push the sensor end cap back into the logger, making sure the small tab in the end cap fits in the small groove in the logger housing. Use the large tab on the end cap and the arrow on the logger housing to help with proper alignment. Do not twist or turn the end cap as you push it straight into position.



7. Screw the closure cap back on the logger.

- Place the electrode into the storage solution. Slide the storage solution cap with the rubber grommet on the sensor end of the logger. Remove the cap from the storage solution bottle and insert the sensor into the bottle. Screw the storage solution cap installed on the logger onto the bottle as shown below.



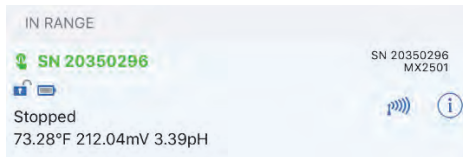
First, slide on storage solution cap Then, insert sensor end cap in the bottle

Important: Keep the sensor in this storage solution bottle unless you are calibrating the logger or deploying it in water. Only use storage solution in the bottle; do not use water. Do not use the copper guard while the sensor is in the bottle.

Downloading HOBOMobile and Connecting to a Logger

Install the HOBOMobile app to connect to and work with the logger.

- Download the HOBOMobile app from the App Store®.
- Open the app and enable Bluetooth in the device settings if prompted.
- Press the button on the logger to wake it up.
- Tap the HOBOS icon at the bottom of the screen. Tap the logger in the list to connect to it.



If the logger does not appear in the list or if it is having trouble connecting, follow these tips:

- If the logger was configured with Bluetooth Always Off (see *Configuring the Logger*), make sure the logger is “awake” by pressing the switch for 1 second. This will also bring the logger to the top of the list if you are working with multiple loggers.
- Make sure the logger is within range of your mobile device. The range for successful wireless communication is approximately 30.5 m (100 ft) in air with full line-of-sight.
- Change the orientation of your phone or tablet to ensure the antenna in your device is pointed toward the logger. Obstacles between the antenna in the device and the logger may result in intermittent connections.
- If the logger is in water and configured with Bluetooth Off Water Detect, you must remove the logger from the water to connect to it.
- If your device can connect to the logger intermittently or loses its connection, move closer to the logger, within sight if possible. If the logger is in water, the connection

can be unreliable. Remove it from water for a consistent connection.

- If the logger appears in the list, but you cannot connect to it, close HOBOMobile and power cycle the mobile device. This forces the previous Bluetooth connection to close.

Once connected to the logger you can select one of the following actions:

- Configure.** Select logger settings and load them onto the logger to start logging. See *Configuring the Logger*.
- Readout.** Download logger data. See *Reading Out the Logger*.
- pH Calibration.** Calibrate the logger following the instructions in HOBOMobile. The logger should be calibrated after replacing or cleaning the electrode. See *Calibrating the Logger*.
- Full Status Details.** Check the battery level and view the configuration settings currently selected for the logger.
- Start Logging.** Select this option to begin logging (if the logger is configured to start “On Button Push” as described in *Configuring the Logger*).
- Stop Logging.** Stop the logger from recording data. This overrides any Stop Logging settings described in *Configuring the Logger*.
- Page Logger LED.** Press and hold this option to illuminate the logger LEDs for 5 seconds.
- Logger Password.** Select this to create a password for the logger that will be required if another mobile device attempts to connect to it. To reset a password, connect to the logger, tap Set Logger Passkey, and select Reset to Factory Default. You can also press the button on the logger for 10 seconds to reset a password.

Update Firmware. When new logger firmware is available, this action appears in the list. Select it and follow the instructions on the screen. A logger readout will be completed automatically at the beginning of the firmware update process. If the connection is lost between the logger and the mobile device during the firmware update, a Firmware Update Pending Status displays for the logger in the HOBOS list. Connect to the logger and select Restore Logger (or Update Firmware if that option is available) to continue updating the firmware. **Note:** The logger will need to be recalibrated after updating the firmware.

Important: Before updating the firmware on the logger, check the remaining battery level by selecting Full Status Details and make sure it is no less than 30%. Make sure you have the time to complete the entire update process, which requires that the logger remains connected to the device during the upgrade.

- Force Offload.** This may appear if an error was encountered when loading configuration settings. Select this to offload all the data on the logger before reconfiguring it.

Calibrating the Logger

The logger needs to be calibrated using 7.00, 4.01 and/or 10.00 buffers to record accurate pH readings. You can calibrate the logger by connecting to it with HOBOMobile and then tapping pH Calibration. HOBOMobile will also prompt you to calibrate the logger if the pH electrode has never been calibrated, the last calibration is more than seven days old, or the logger firmware was updated.

Important: The pH sensor must be kept in storage solution when not being calibrated or deployed in water.

You will need:

- Deionized or distilled water and a squirt bottle to rinse the pH sensor.
- The logger with the pH electrode installed and the copper guard removed.
- Calibration solution (also called buffer solution) poured into beakers. All three buffers are available in a kit (MX2500-CAL-KIT) or individually (MX2500-CAL-4, MX2500-CAL-7, or MX2500-CAL-10).

Important: The logger should be calibrated based on the conditions at the location where it will be deployed. Specifically, if the water temperature is expected to be different than 25°C (77°F), it is important for the calibration buffers to be close to the expected temperature of the analyte (see the chart at the end of this section for the effect of temperature on buffers). Similarly, if the logger will be deployed at an altitude other than sea level, perform the calibration at or near the deployment altitude.

To calibrate the logger:

1. If the sensor is in the storage solution, unscrew the storage solution bottle and remove the storage solution cap from the logger.
2. Open HOBOMobile and tap the HOBOS icon.
3. Find the logger in the list and tap it to connect to it. If the logger was previously configured with Bluetooth Always Off, press the switch on the logger to wake it up. If the logger was previously configured with Bluetooth Off Water Detect and it is deployed in water, remove it from water.
4. Once connected, tap Yes if prompted to calibrate the logger. Otherwise, select pH Calibration.
5. Select the calibration type (two-point using pH 7.00 and 4.01 solution, two-point using pH 7.00 and 10.00 solution, or three-point using pH 7.00, 4.01, and 10.00 solution). Tap Start Calibration.
6. Use a squirt bottle to rinse the pH sensor with deionized or distilled water.
7. Place the sensor end of the logger in the pH 7.00 solution. Make sure the sensor end cap, temperature sensor, and closure cap are submerged in the solution. Follow the instructions on the screen. Once the pH reading is stable, tap Confirm Buffer.
8. Rinse the pH sensor with deionized or distilled water again. Tap Next Buffer.

9. Place the sensor end of the logger in either the pH 4.01 or 10.00 solution as prompted, making sure the sensor end cap, temperature sensor, and closure cap are submerged in the solution. Follow the instructions on the screen. Once the pH reading is stable, tap Confirm Buffer.
10. If you selected three-point calibration, repeat steps 8–9.
11. Tap Save Calibration.
12. Rinse the pH sensor with deionized or distilled water again. **If you will not be deploying the logger immediately, attach the logger to the storage solution bottle.**

Notes:

- The date of the last calibration, the slope and offset values, and the buffers used for the calibration are listed under “pH Calibration” in the Connected screen in HOBOMobile for reference.
- Once a logger is connected to HOBOMobile, a notice appears if the last calibration is more than seven days old prompting you to recalibrate the logger. Although you can postpone the calibration, it is recommended that you recalibrate the logger before configuring it.
- pH readings are checked every second while stabilizing during the calibration process until a buffer is confirmed. Once HOBOMobile indicates a reading is stable, the readings will continue to be updated on the screen until you tap Confirm Buffer. The readings confirmed for that buffer will be listed in the corresponding beaker icon for reference.
- If the status message indicates the reading is unstable during calibration, you can:
 - Remove the sensor from the calibration solution and clean it (see *Maintaining the Logger*). Restart the entire calibration process.
 - Wait longer to see if it stabilizes, keeping in mind that a pH electrode has a 6-month expected life and may produce unstable readings if it is older than 6 months.
 - If the reading reported in HOBOMobile is acceptable for your deployment even though it is reported as unstable, you can tap Confirm Buffer Anyway and proceed with the calibration.
- If an Attention message appears indicating the pH value is incorrect, make sure the sensor is in the correct buffer solution or try rinsing the sensor and restarting the calibration. If the problem persists, clean the sensor (see *Maintaining the Logger*) and inspect it to make sure it is not damaged. **Note:** There could be microcracks on the glass bulb of the electrode that may not be visible to the human eye.
- You can calibrate the logger while it is logging. After the calibration is saved, any new data logged will use the new calibration. Data logged before the new calibration was saved will use the old calibration data. If you do not want data in a single file to be based on more than one calibration, then stop the logger and read it out. You can then calibrate it and reconfigure it.
- pH values of calibration buffers and samples will vary depending on their temperature. As a result of this, it is important that the logger is calibrated in buffers that have the same temperature as that of the sample. To do this, it is necessary to use buffers that have known values

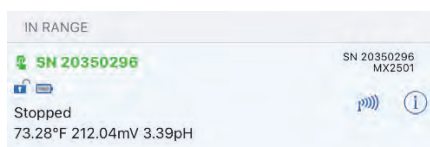
at different temperatures. HOBOMobile will automatically compensate for temperature variances from 25°C (77°F) based on the actual temperature-dependent pH value (from the chart below) of buffers and samples.

Temperature °C	°F	pH 4.01 Buffer	pH 7.00 Buffer	pH 10.00 Buffer
0	32	4.01	7.12	10.31
5	41	4.00	7.09	10.24
10	50	4.00	7.06	10.17
15	59	4.00	7.04	10.11
20	68	4.00	7.02	10.05
25	77	4.01	7.00	10.00
30	86	4.01	6.99	9.95
35	95	4.02	6.98	9.92
40	104	4.03	6.97	9.88
45	113	4.04	6.97	9.85

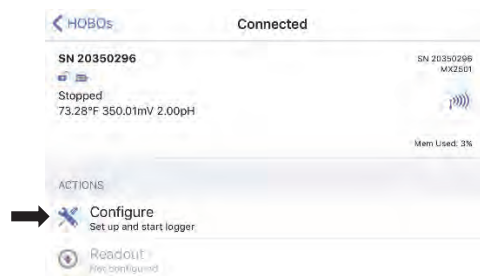
Configuring the Logger

Use HOBOMobile to set up the logger, including selecting the logging options, configuring alarms, and other settings. These steps provide an overview of setting up the logger. For complete details, see the *HOBOMobile User's Guide*.

1. Open HOBOMobile and tap the HOBOS icon.
2. Find the logger in the list and tap it to connect to it. If the logger was previously configured with Bluetooth Always Off, press the switch on the logger to wake it up. If the logger was previously configured with Bluetooth Off Water Detect and it is deployed in water, remove it from water. If you are working with multiple loggers, pressing the button also brings the logger to the top of the list (and the logger name will turn green). Note that the current sensor readings are displayed even when the logger is not logging.



3. Once connected, tap Configure.



4. Tap Name and type a name for the logger up to 20 characters (optional). Tap Done. If no name is selected, the logger serial number is used as the name.
5. Tap Group to add the logger to the Favorites group, an existing custom group, or create a new group name with up to 20 characters (optional). Tap Done.

6. Tap Logging Interval and choose how frequently the logger will record data unless operating in burst logging mode (see *Burst Logging*). **Note:** If you configure an alarm, the logger will use the logging interval you selected as the rate to check for alarm conditions (alarms are not available if burst logging is configured). See *Setting up Alarms* for more details.
7. Tap Start Logging and select when logging will begin:
 - **Now.** Logging will begin immediately after tapping Start in the Configure screen.
 - **On Next Logging Interval.** Logging will begin at the next even interval as determined by the selected logging interval.
 - **On Button Push.** Logging will begin once you press the switch on the logger for 3 seconds.
 - **On Date/Time.** Logging will begin on a date and time you specify. Select the date and time and tap Done.

Tap Done in the Start Logging screen.

8. Tap Stop Logging and select the options for when logging will end.
 - a. Choose one of two memory options:
 - **When Memory Fills.** The logger will continue recording data until the memory is full.
 - **Never (Wrap When Full).** The logger will continue recording data indefinitely, with newest data overwriting the oldest. This option is not available if the Logging Mode is set to Burst (see *Burst Logging*).
 - b. Select On Button Push if you want to be able to stop logging by pushing the switch on the logger for 3 seconds. Note that if you also choose On Button Push for the Start Logging option, then you will not be able to stop logging until 30 seconds after logging begins.
 - c. Select one of the following time options for when to stop logging:
 - **Never.** Select this if you do not want the logger to stop at any predetermined time frame.
 - **On Date/Time.** Select this if you want the logger to stop logging on a specific date and time. Select the date and time and then tap Done.
 - **After.** Select this if you want to control how long the logger should continue logging once it starts. Choose the amount of time you want the logger to log data and then tap Done. For example, select 30 days if you want the logger to log data for 30 days after logging begins.
 - d. Tap Done in the Stop Logging screen.

9. Set up an optional alarm to trip when the pH and/or temperature sensor reading rises above or falls below a specified value. See *Setting up Alarms* for details on enabling sensor alarms.
10. Tap Logging Mode. Select either fixed interval logging or burst logging. With fixed interval logging, the logger records data for all sensors and/or selected statistics at the logging interval selected (see *Statistics Logging* for details on

choosing statistics options). In burst mode, logging occurs at a different interval when a specified condition is met. See *Burst Logging* for more information. Tap Done.

11. Enable or disable Show LED. If Show LED is disabled, the alarm and status LEDs on the logger will not be illuminated while logging (the alarm LED will not blink if an alarm trips). You can temporarily turn on LEDs when Show LED is disabled by pressing the button on the logger for 1 second.
12. Select the power saving mode, which determines when the logger will “advertise” or regularly send out a Bluetooth signal for the phone or table to find via HOBOMobile.
 - **Bluetooth Always Off.** The logger will only advertise during logging when you push the switch on the logger. This will wake up the logger when you need to connect to it. This option uses the least battery power.
 - **Bluetooth Off Water Detect.** The logger will not advertise when the presence of water is detected. Once the logger is removed from the water, advertising will automatically turn on, thereby not requiring you to push the switch to wake up the logger when you need to connect to it. This option preserves some battery power. **Note:** The logger will check for the presence of water every 15 seconds when this option is selected.
 - **Bluetooth Always On.** The logger will always advertise. You will never need to push a switch to wake up the logger. This option uses the most battery power.
13. Tap Start in the upper right corner of the Configure screen to load the settings onto the logger.



Logging will begin based on the settings you selected. See *Deploying and Mounting the Logger* for details on mounting and see *Reading Out the Logger* for details on downloading.

Setting up Alarms

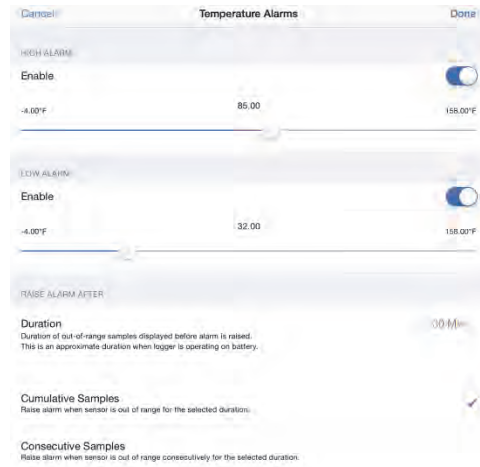
You can set up alarms for the logger so that if a sensor reading rises above or falls below a specified value, the red logger LED will blink and an alarm icon will appear in HOBOMobile. This can alert you to problems so you can take corrective action.

To set an alarm:

1. Tap the HOBOMobile icon and tap the logger to connect to it. If the logger was configured with Bluetooth Always Off enabled, push the switch on the logger to wake it up. If the logger was configured with Bluetooth Off Water Detect and is currently underwater, remove it from the water.
2. Once connected, tap Configure.
3. In Sensor & Alarm Setup, tap Temperature or pH.
4. Enable the High Alarm if you want an alarm to trip when the sensor reading rises above the high alarm value. Drag the slider to the reading that will trip the alarm or tap the value field and type a specific reading. In the example, an alarm will trip when the temperature rises above 85°F.

5. Enable the Low Alarm if you want an alarm to trip when the sensor reading falls below the low alarm value. Drag the slider to the reading that will trip the alarm or tap the value field and type a specific reading. In the example, an alarm is configured to trip when the temperature falls below 32°F.

Note: The actual values for the high and low alarm limits are set to the closest value supported by the logger.



6. Under Raise Alarm After, select the duration before an alarm is tripped and tap Done in the Alarm Duration screen.
7. Select either Cumulative or Consecutive Samples. If you select Cumulative Samples, then the alarm will trip when the time the sensor is out of range over the course of the deployment is equal to the selected duration. If you select Consecutive Samples, then the alarm will trip when the time the sensor is continuously out of range is equal to the selected duration. For example, the high alarm for temperature is set to 85°F and the duration is set to 30 minutes. If Cumulative is selected, then an alarm will trip once a sensor reading has been at or above 85°F for a total of 30 minutes since the logger was configured; specifically, this could be 15 minutes above 85°F in the morning and then 15 minutes above 85°F again in the afternoon. If Consecutive is selected, then an alarm will trip only if all sensor readings are 85°F or above for a continuous 30-minute period.
8. Tap Done and repeat steps 3–8 for the other sensor if desired. Note that when both alarms are configured, an alarm is raised when either sensor is in an alarm condition.
9. Back in the Configure screen, select one of the following options to determine how the alarm indications are cleared:
 - **Logger Reconfigured.** The alarm indication will display until the next time the logger is reconfigured.
 - **Sensor in Limits.** The alarm icon indication will display until the sensor reading returns to the normal range between any configured high and low alarm limits.
10. Tap Start in the Configure screen to load the alarm settings onto the logger if you are ready to start.

When an alarm trips, the red logger LED blinks every 4 seconds (unless Show LED is disabled), an alarm icon appears in the app, and an Alarm Tripped event is logged. The alarm state will clear when the readings return to normal if you selected Sensor in

Limits in step 9. Otherwise, the alarm state will remain in place until the logger is reconfigured.

Notes:

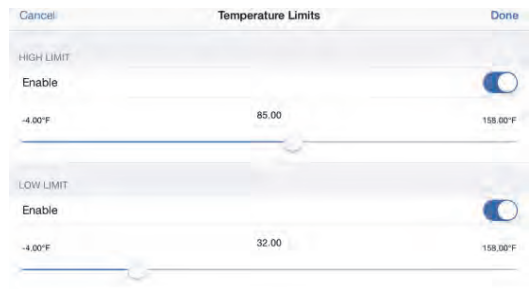
- Alarm limits are checked at every logging interval unless burst logging is configured. For example, if the logging interval is set to 5 minutes, then the logger will check the sensor readings against your configured high and low alarm setting every 5 minutes.
- The actual values for the high and low alarm limits are set to the closest value supported by the logger. For example, the closest value to 85°F that the logger can record is 84.990°F and the closest value to 32°F is 32.043°F. In addition, alarms can trip or clear when the sensor reading is within the specified resolution. This means the value that triggers the alarm may differ slightly than the value entered. For example, if the High Alarm is set to 75.999°F, the alarm can trip when the sensor reading is 75.994°F (which is within the specified resolution).
- When you read out the logger, alarm events can be displayed on the plot or in the data file. See *Logger Events*.

Burst Logging

Burst logging is a logging mode that allows you to set up more frequent logging when a specified condition is met. For example, a logger is recording data at a 5-minute logging interval and burst logging is configured to log every 30 seconds when the temperature rises above 85°F (the high limit) or falls below 32°F (the low limit). This means the logger will record data every 5 minutes as long as the temperature remains between 85°F and 32°F. Once the temperature rises above 85°F, the logger will switch to the faster logging rate and record data every 30 seconds until the temperature falls back to 85°F. At that time, logging then resumes every 5 minutes at the normal logging interval. Similarly, if the temperature falls below 32°F, then the logger would switch to burst logging mode again and record data every 30 seconds. Once the temperature rises back to 32°F, the logger will then return to normal mode, logging every 5 minutes. **Note:** Sensor alarms, statistics, and the Stop Logging option “Wrap When Full” are not available in burst logging mode.

To set up burst logging:

1. Tap the HOBOS icon and tap the logger to connect to it. If the logger was configured with Bluetooth Always Off enabled, push the switch on the logger to wake it up. If the logger was configured with Bluetooth Off Water Detect and is currently underwater, remove it from the water.
2. Once connected, tap Configure.
3. Tap Logging Mode and then tap Burst Logging.
4. Tap a sensor under Burst Sensor Limits.
5. Enable High Limit if you want burst logging to occur when the sensor reading rises above a specific reading. Drag the slider to the reading that will trigger burst logging or tap the value field and type a specific reading. In this example, the logger will switch to burst logging when the temperature rises above 85°F.
6. Enable Low Limit if you want burst logging to occur when the sensor reading falls below a specific reading. Drag the slider to the reading that will trigger burst logging or tap the value field and type a specific reading. In the example, the logger will switch to burst logging when the temperature falls below 32°F.



7. Tap Done and repeat steps 4–7 for the other sensor if desired.
8. Tap Burst Logging Interval and select an interval faster than the logging interval. Keep in mind that the faster the burst logging rate, the greater the impact on battery life and the shorter the logging duration. Because measurements are being taken at the burst logging interval throughout the deployment, the battery usage is similar to what it would be if you had selected this rate for the normal logging interval. Tap Done.
9. Tap Done to exit the Logging Mode screen.
10. Tap Start in the Configure screen to load the burst settings onto the logger if you are ready to start.

Notes:

- The high and low burst limits are checked at the burst logging interval rate whether the logger is in normal or burst condition. For example, if the logging interval is set to 1 hour and the burst logging interval is set to 10 minutes, the logger will always check for burst limits every 10 minutes.
- If high and/or low limits have been configured for more than one sensor, then burst logging will begin when any high or low condition goes out of range. Burst logging will not end until all conditions on all sensors are back within normal range.
- The actual values for the burst logging limits are set to the closest value supported by the logger. For example, the closest value to 85°F that the logger can record is 84.990°F and the closest value to 32°F is 32.043°F.
- Burst logging can begin or end when the sensor reading is within the specified resolution. This means the value that triggers burst logging may differ slightly than the value entered. For example, if the high limit for a temperature alarm is set to 75.999°F, burst logging can start when the sensor reading is 75.994°F (which is within the specified resolution).
- Once the high or low condition clears, the logging interval time will be calculated using the last recorded data point in burst logging mode, not the last data point recorded at the normal logging rate. For example, the logger has a 10-minute logging interval and logged a data point at 9:05. Then, the high limit was surpassed and

burst logging began at 9:06. Burst logging then continued until 9:12 when the sensor reading fell back below the high limit. Now back in normal mode, the next logging interval will be 10 minutes from the last burst logging point, or 9:22 in this case. If burst logging had not occurred, the next data point would have been at 9:15.

- A New Interval event is created each time the logger enters or exits burst logging mode. See *Logger Events* for details on plotting and viewing the event. In addition, if the logger is stopped with a button push while in burst logging mode, then a New Interval event is automatically logged and the burst condition is cleared, even if the actual high or low condition has not cleared.

Statistics Logging

During fixed interval logging, the logger records data for enabled sensors and/or selected statistics at the logging interval selected. Statistics are calculated at a sampling rate you specify with the results for the sampling period recorded at each logging interval. The following statistics can be logged for each sensor:

- The maximum, or highest, sampled value,
- The minimum, or lowest, sampled value,
- An average of all sampled values, and
- The standard deviation from the average for all sampled values.

For example, a logger is configured with the logging interval set to 5 minutes and Fixed Interval Logging and Normal selected for the logging mode. In addition, all four statistics are enabled with a statistics sampling interval of 30 seconds. Once logging begins, the logger will measure and record the actual temperature and pH sensor values every 5 minutes. In addition, the logger will take a temperature and pH sample every 30 seconds and temporarily store them in memory. The logger will then calculate the maximum, minimum, average, and standard deviation using the samples gathered over the previous 5-minute period and log the resulting values. When reading out the logger, this would result in 10 data series (not including the mV series): two sensor series (with temperature and pH data logged every 5 minutes) plus eight maximum, minimum, average, and standard deviation series (four for temperature and four for pH with values calculated and logged every 5 minutes based on the 30-second sampling).

To log statistics:

1. Tap the HOBOS icon and tap the logger to connect to it. If the logger was configured with Bluetooth Always Off enabled, push the switch on the logger to wake it up. If the logger was configured with Bluetooth Off Water Detect and is currently underwater, remove it from the water.
2. Once connected, tap Configure.
3. Tap Logging Mode and then select Fixed Interval Logging.
4. Select Normal to record the current reading for each enabled sensor at the logging interval shown at the top of the screen. Do not select this if you only want to log statistics.
5. Select the statistics you want the logger to record at each logging interval: Maximum, Minimum, Average, and Standard Deviation (average is automatically enabled when selecting Standard Deviation). Statistics will be logged for all enabled sensors. In addition, the more statistics you record, the shorter the logger duration and the more memory is required.
6. Tap Statistics Sampling Interval and select the rate to use for calculating statistics. The rate must be less than, and a factor of, the logging interval. For example, if the logging interval is 1 minute and you select 5 seconds for the sampling rate, then the logger will take 12 sample readings between each logging interval (one sample every 5 seconds for a minute) and use the 12 samples to record the resulting statistics at each 1-minute logging interval. Note that the faster the sampling rate, the greater the impact on battery life. Because measurements are being taken at the statistics sampling interval throughout the deployment, the battery usage is similar to what it would be if you had selected this rate for the normal logging interval.
7. Tap Done.
8. Tap Done again to exit the Logging Mode screen.
9. Tap Start in the Configure screen to load the statistics settings onto the logger if you are ready to start.

Setting a Password

You can create an encrypted password for the logger that will be required if another phone or tablet attempts to connect to it. This is recommended to ensure that a deployed logger is not mistakenly stopped or purposely altered by others. This password uses a proprietary encryption algorithm that changes with every connection.

To set a password:

1. Tap the HOBOS icon and connect to the logger.
2. Tap Logger Password.
3. Type a password up to 10 characters.
4. Tap Save.


Only the phone or tablet used to set the password can then connect to the logger without entering a password; all other mobile devices will be required to enter the password. For example, if you set the password for the logger with your tablet and then try to connect to the device later with your phone, you will be required to enter the password on the phone but not with your tablet. Similarly, if others attempt to connect to the logger with different devices, then they would also be required to enter the password. To reset a password, connect to the logger, tap Set Logger Passkey, and select Reset to Factory Default or press the button on the logger for 10 seconds.

Reading Out the Logger

To download data from the logger:



1. Open HOBOMobile.
2. Tap the HOBOS icon and tap the logger to connect to it. If the logger was configured with Bluetooth Always Off, press

the switch on the logger for 1 second to wake it up. If the logger was configured with Bluetooth Off Water Detect and it is deployed in water, remove it from the water.

3. Once connected, tap Readout. The data file from the logger is saved to your device.
4. Tap the Data Files icon to view a mini-graph of the downloaded data.
5. Tap the mini-graph to view a larger version of the graph or to share the file. The graph shows the pH and temperature series by default. To view the mV series, tap  in the upper right corner and tap mV. For additional details on viewing graphs and sharing data, see the *HOBOMobile User's Guide*.

Data can also be uploaded automatically to HOBOLink, Onset's web-based software. Tap the Settings icon in HOBOMobile to enable the HOBOLink Upload Data option (this requires a HOBOLink account [link](#)). See the *HOBOMobile User's Guide* for more details on this setting and see the HOBOLink help for details on working with data in HOBOLink.

Logger Events

The logger records the following internal events to track logger operation and status. To plot events in HOBOMobile, tap a mini-graph and then tap . Select the events you wish to plot and then tap  again. You can also view events in shared or exported data files.

Internal Event Name	Definition
Host Connect	The logger was connected to the mobile device.
Started	The logger started logging.
Stopped	The logger stopped logging.
Calibration End	pH calibration ended while the logger was logging.
Calibration Cancel	pH calibration was canceled while the logger was logging.
Calibration Values	The slope and offset values that were set during calibration while the logger was logging.
Calibration Buffers	The buffers used during calibration while the logger was logging.
Alarm Tripped/Cleared	An alarm has occurred because the reading was outside the alarm limits or back within range. Note: Although the reading may have returned to a normal range during logging, an alarm cleared event will not be logged if the logger was set up to maintain alarms until reconfigured.
New Interval	The logger has switched to logging at the burst logging rate or back to the normal rate.
Water Detect	The logger has been placed in water or removed from water.
Low Power	The battery level dropped below 0.8 V.
Safe Shutdown	The battery level dropped below a safe operating voltage and the logger

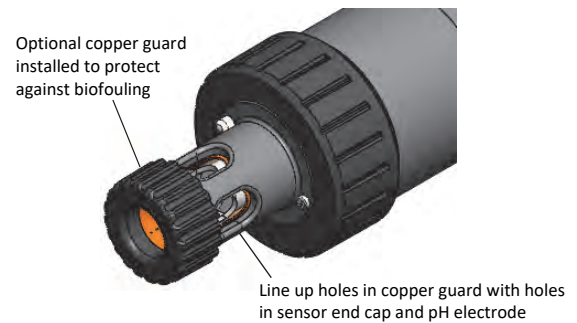
Internal Event Name	Definition
	performed a safe shutdown with all data stored in memory.

Deploying and Mounting the Logger

Important: The pH sensor must be kept in storage solution when not being calibrated or deployed in water.

Follow these guidelines when deploying the logger:

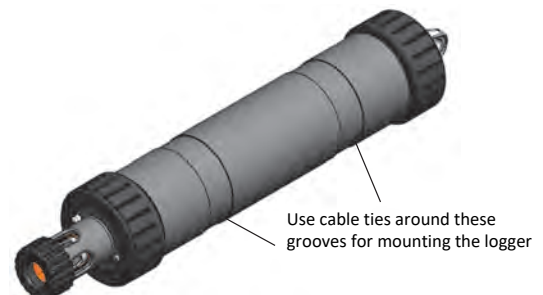
- Remove the storage solution bottle and bottle cap from the logger before deploying it.
- If your water sample is prone to biofouling, insert the optional copper anti-biofouling guard over the pH sensor as shown. Gently twist the copper guard so that the holes line up with the holes in the sensor end cap and pH electrode. Do not use the copper guard when the pH sensor is being calibrated, placed in the storage solution bottle or similar-sized container with still water, or in water where copper can affect the environment.



- There are two mounting options:
 - Attach a nylon cord or other strong cable to the mounting hole to deploy the logger.



- Alternatively, secure the logger to a pipe or similar surface using cable ties wrapped around the two large grooves in the logger housing.



- The logger should be appropriately secured and protected depending on water conditions and desired measurement location.

Maintaining the Logger

- **The pH sensor must be kept in storage solution when not being calibrated or deployed in water.** Additional storage solution (MX2500-STORE-SOLN) and a maintenance kit containing pH 4.01, 7.00, and 10.00 calibration solution and storage solution (MX2500-MAINT-KIT) are available. See [www.hoboinstruments.com](#)
- Periodically inspect the logger for biofouling. To clean the logger housing, rinse the logger in warm water. Use mild dishwashing soap if necessary on the logger housing only, taking care not to touch the glass bulb in the pH electrode. Do not use harsh chemicals, solvents, or abrasives. Replacement sensor end caps (MX2500-END-CAP) and copper guards (MX2500-GUARD) are available if they cannot be cleaned effectively. See [www.hoboinstruments.com](#)
- Periodically uninstall the pH electrode from the logger and inspect it for deposits. To remove a build-up of scale or other dissolve salts, briefly soak the pH sensor in 5% hydrochloric acid. To remove oil deposits, soak the pH sensor in a solution with mild dishwashing soap. **Never touch the glass bulb inside the clear plastic end of the probe.** Always calibrate the logger after cleaning the pH electrode with anything other than distilled or deionized water.
- The hydration layer surrounding the glass pH sensor bulb in the electrode naturally breaks down over time. Therefore, install a new pH electrode (MX2500-ELECTRODE) every 6 months to ensure accurate readings.
- Before reinstalling the pH electrode or installing a replacement, use a foam swab dipped in water to clean the internal O-rings. Use a foam swab to spread a small dot of silicone-based grease along both the O-rings inside the sensor end cap. Do not use a cotton swab as the fibers on the swab can interfere with the operation of the electrode. Make sure the internal O-rings are still in place when you install the electrode.



- Periodically add silicone-based grease to the outer O-rings on the sensor end cap (shown above). Using your finger, spread a small dot of grease along both outer O-rings.

Battery Information

The logger requires one user-replaceable AA 1.5 V alkaline or lithium battery. With a logging interval of 1 minute and at 25°C (77°F), battery life is 1 year with Bluetooth Always On selected, 2 years with Bluetooth Off Water Detect selected, and 3 years with Bluetooth Always Off selected. Expected battery life varies based on the ambient temperature where the logger is deployed, the logging interval, the frequency of connections, downloads, and paging, and the use of burst mode or statistics logging. Deployments in extremely cold or hot temperatures or a logging interval faster than 1 minute can impact battery life. Estimates

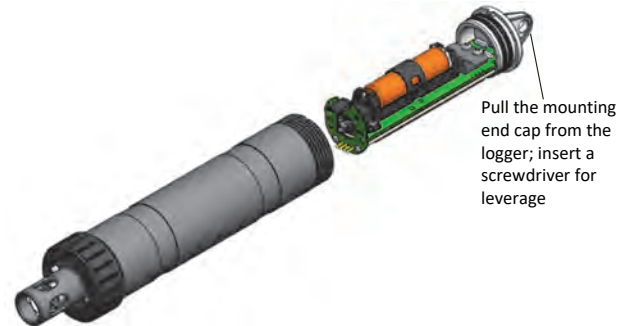
are not guaranteed due to uncertainties in initial battery conditions and operating environment.

To install or replace the battery:

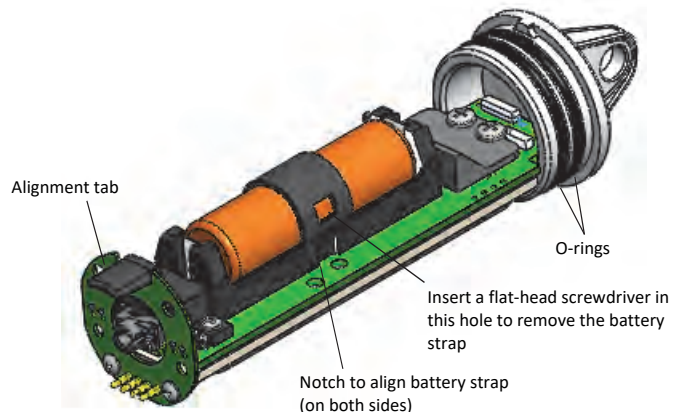
1. Wipe the logger clean and dry it completely.
2. Unscrew the closure cap on the mounting end of the logger.



3. Pull the mounting end cap and attached battery holder straight out from the logger body without twisting. Insert a screwdriver through the mounting hole if you need additional leverage for removing the mounting end cap from the logger.



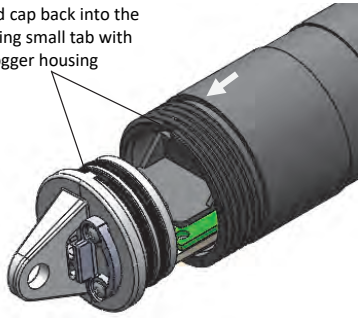
4. Remove the battery strap. Insert a flat-head screwdriver into the hole on the strap to lift it off the battery.



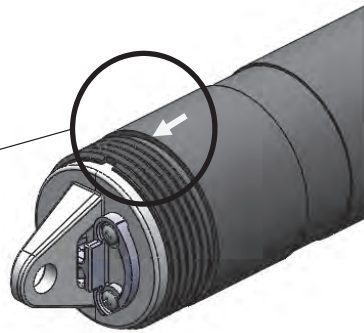
5. Remove the battery and install a new one, observing polarity.
6. Using your finger, spread a small dot of silicone-based grease along both O-rings (shown in step 4) on the mounting end cap.
7. Place the battery strap back in place, using the notches on both sides of the holder (shown in step 4) to align it and guide into place until you hear a click.

- Reinstall the battery holder and attached mounting end cap. Use the alignment tab on the battery holder (shown in step 4) and the arrow on the logger housing as a guide as you fit the small tab in the mounting end cap into the small groove on the logger housing. Do not twist or turn the mounting end cap as you push it straight into position.

Push the end cap back into the logger, aligning small tab with groove on logger housing



Mounting end cap installed with correct alignment



- Screw the closure cap back on the logger.

⚠ WARNING: Do not cut open, incinerate, heat above 85°C (185°F), or recharge the lithium battery. The battery may explode if the logger is exposed to extreme heat or conditions that could damage or destroy the battery case. Do not dispose of the logger or battery in fire. Do not expose the contents of the battery to water. Dispose of the battery according to local regulations for lithium batteries.