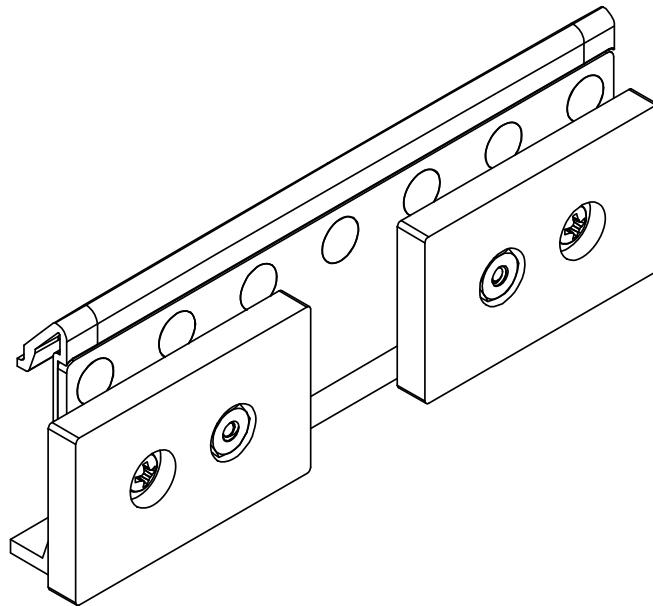


DRANETZ
HDPQ[®]
XPLORER / GUIDE / VISA

**Magnetic Mounting Option
MM-HDPQ**



User Instructions

INTRODUCTION

The Magnetic Mounting Optional accessory MM-HDPQ allows the Dranetz HDPQ Xplorer, Xplorer 400, Guide, or Visa to be attached to ferromagnetic metallic surfaces.

This instruction guide contains procedures on how to mount the accessory to the instrument and its use.

Read all Warning and Safety Precautions before attempting to connect and operate the instrument.

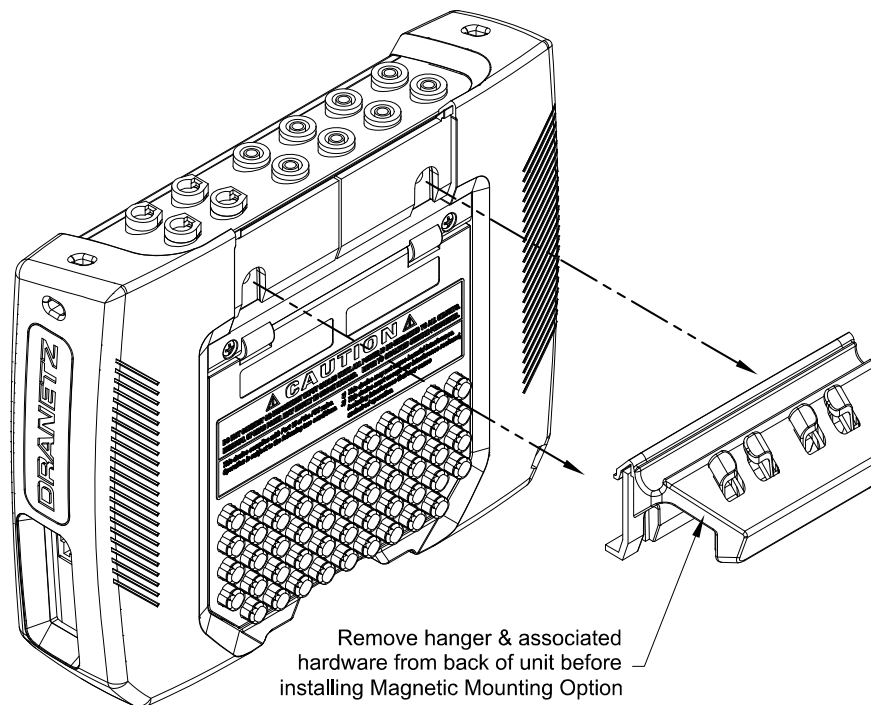
CAUTION STATEMENTS

- Neodymium magnets are used in this mounting option. Individuals with pacemakers or internal medical devices should not handle strong rare-earth magnets. Studies have shown that magnetic fields can affect the operation of these devices. These magnets should be kept at a safe distance from individuals with these devices.
- This magnetic mount is for use with the equipment described in these instructions only and can only support this equipment in a safe manner.
DO NOT use this option to support any additional equipment.
- When removing the instrument with the attached magnetic mount from a metal surface lift up from the bottom of the instrument and pull toward you to avoid any scratches to the surface.
- Magnetic fields may cause damage to magnetic storage media. Keep all magnets away from any type of magnetic storage media.

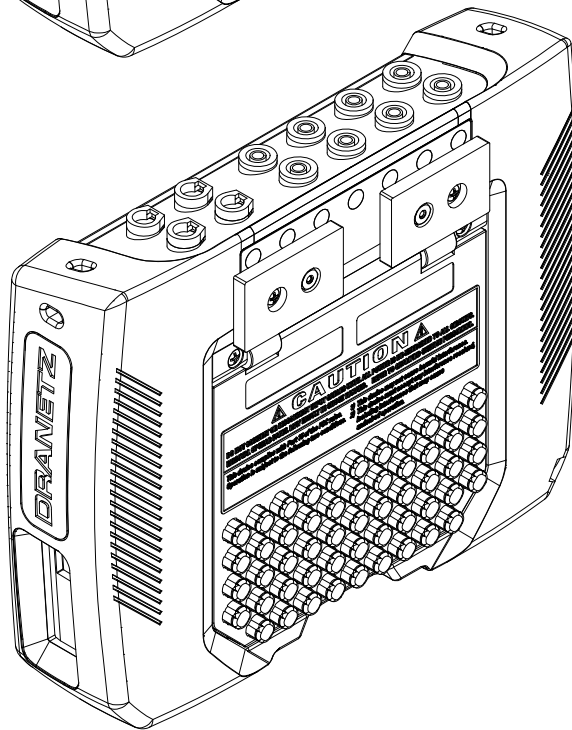
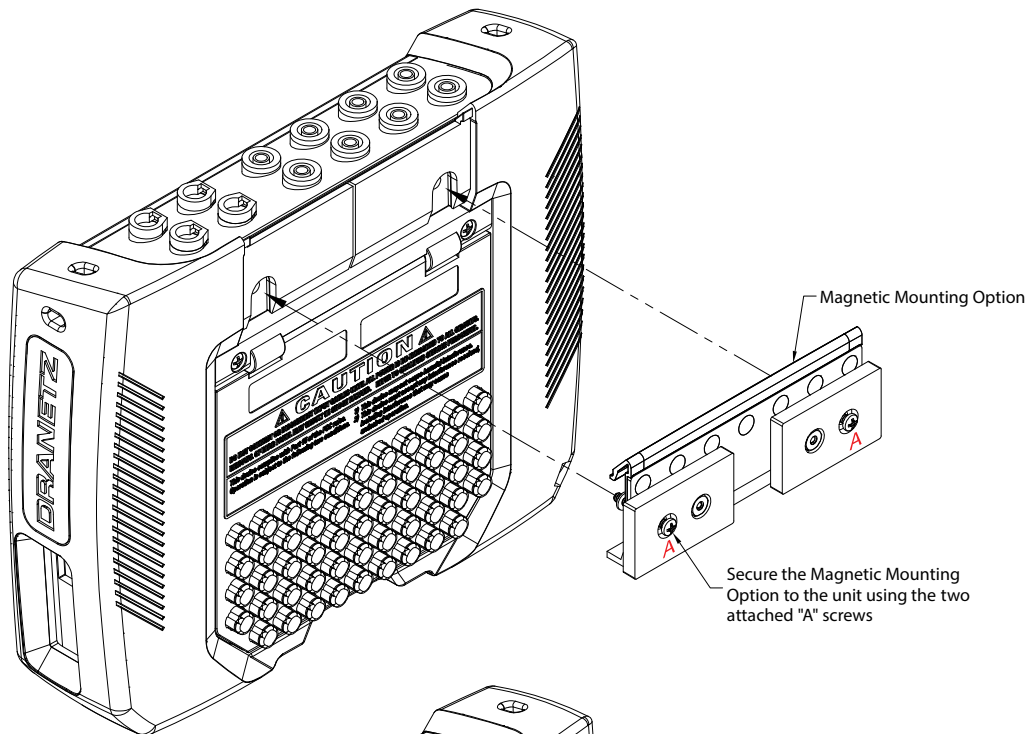
INSTRUCTIONS:

1. Remove the hanger bracket from the instrument by removing two #6-32 x 5/16" long Phillips screws and two flat washers from the hanger bracket.

Note: The screws used with the hanger bracket are not used with the magnetic mount, so please store them with the hanger bracket if used in the future.



2. Secure the Magnet Assembly to the unit using the two “A” Phillips screws (P/N 113200-G15, #6-32 x 5/8 in.) that are attached to the magnet assembly.



ASSEMBLED VIEW

3. **Follow all Warning and Safety Precautions before attempting to connect and operate the Xplorer, Xplore 400, Guide, or Visa.** Refer to the User's Guide for circuit connection and operation instructions.

Statement of Warranty

All Dranetz manufactured portable instruments and accessories are warranted to the original purchaser against defective material and workmanship for a period of three years from the date of invoice. User replaceable instrument batteries are warranted for a period of one year from the date of invoice. Certain Dranetz branded accessories, such as current transformers and other accessories not manufactured by Dranetz, are warranted to the original purchaser against defective material and workmanship for a period of one year from the date of invoice. Warranties for products and accessories sold by, but not branded as Dranetz, are covered by their respective manufacturer's warranties and are not warranted by Dranetz. Dranetz will repair or replace, at its option, all defective equipment that is returned, freight prepaid, during the warranty period. There will be no charge for repair, provided there is no evidence that the equipment has been mishandled or abused. This warranty shall not apply to any defects resulting from improper or inadequate maintenance, buyer-supplied hardware/software interfacing, unauthorized modification or misuse of the equipment, operation outside of environmental specifications, or improper site preparation or maintenance.

Statement of reliability

The information in this manual has been reviewed and is believed to be entirely reliable, however, no responsibility is assumed for any inaccuracies. All material is for informational purposes only and is subject to change without prior notice.

Notice regarding proprietary rights

This publication contains information proprietary to Dranetz. By accepting and using this manual, you agree that the information contained herein will be used solely for the purpose of operating equipment of Dranetz.

Copyright

This publication is protected under the Copyright laws of the United States, Title 17 et seq. No part of this publication may be reproduced, transmitted, transcribed, stored in a retrieval system, or translated into any language or computer language, in any form, by any means, electronic, mechanical, magnetic, optical, chemical, manual, or otherwise, without the prior written consent of Dranetz, 1000 New Durham Road, Edison, New Jersey 08818.

Copyright © 2016 Dranetz

All Rights Reserved. Printed in the United States of America.

Trademarks

Dranetz HDPQ[®] is a registered trademark of Dranetz.