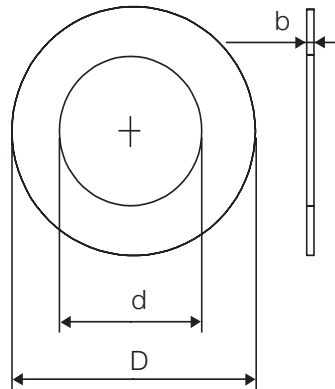


MagFlux® Electromagnetic Flow Meter

Grounding Rings



Grounding ring example



Sizes and Ordering Information

Grounding Rings Sizes and Ordering Information						
Size			D ^①	d	b	Weight
DN	[inch]	Order no.	[mm]			[kg]
15	½"	207807	50	22	6	0,08
20	¾"	207810	58	28	6	0,08
25	1"	207813	68	35	6	0,12
32	1¼"	207816	79	43	6	0,16
40	1½"	207819	91	49	6	0,20
50	2"	207822	106	61	6	0,26
65	2½"	207825	126	77	6	0,40
80	3"	207828	141	90	6	0,44
100	4"	207831	170	115	6	0,56
125	5"	207834	191	141	6	0,60
150	6"	207837	237	170	6	0,90
200	8"	807840	272	220	6	0,96
250	10"	207843	333	274	6	1,30
300	12"	807846	405	325	6	2,00
350	14"	207849	443	360	6	2,48
400	16"	207852	521	411	6	3,60
450	18"	207855	546	463	6	3,20
500	20"	207858	602	514	6	3,64
600	24"	207861	713	615	6	4,70
700	28"	207862				
750	30"	207863				
800	32"	207867				

① maximum measurement

Specifications

Grounding Rings Specifications	
Material	AISI 316 SS
Wire	2,5 mm ² / AWG 13