

# ACCESSORIES

## SHORTING TERMINAL BLOCK

MODEL 17SC

### FEATURES

- UL Recognized
- Short circuiting versions for meter servicing, CT tap changing, etc.
- Rugged non-chipping heavy duty construction
- Clear plastic cover
- 4, 6, and 8 Pole configuration

### 600V CLASS



1708SC



1706SC



1704SC



LR19766



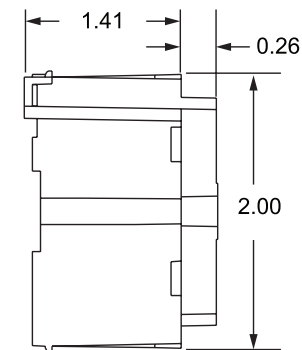
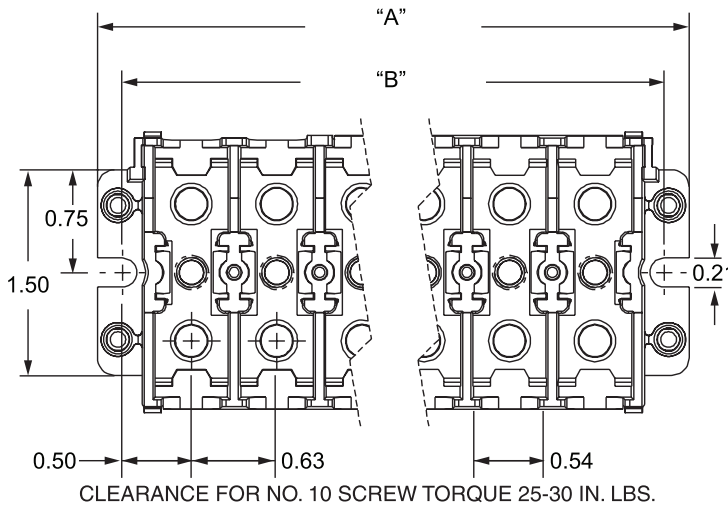
E62806

### SPECIFICATIONS

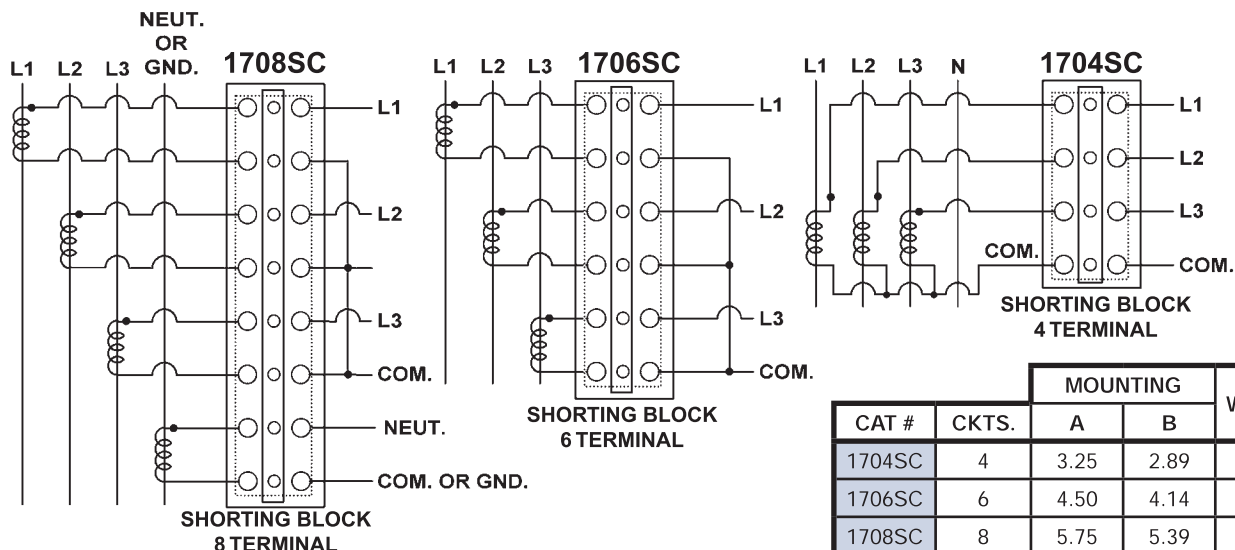
Rating ..... 600Vac, 75A  
 Wire Range ..... 18-10 AWG  
 Material ..... Thermoplastic body  
 Terminal Screws ..... #10-32 nickel plated brass  
 Terminals ..... Brass, allows lugs up to 1/2" in width  
 4, 6 and 8 pole configurations ..... Shorting type with covers, shorting screws and screw "Parking Stations"  
 Surface Mounting ..... Flat base for one piece terminal block replacement  
 \*Optional DIN Rail Adapters for mounting on rail EN50035(DIN 1) ..... P/N DIN-R-1-KIT

ORDERING INFORMATION	
CATALOG NUMBER	NUMBER OF POLES
1704SC	4
1706SC	6
1708SC	8

### MOUNTING, WIRING & DIMENSIONS



All Dimensions In Inches



CAT #	CKTS.	MOUNTING		WEIGHT
		A	B	
1704SC	4	3.25	2.89	4.5 oz.
1706SC	6	4.50	4.14	6.5 oz.
1708SC	8	5.75	5.39	8.5 oz.