



H721HC



H921



Hawkeye Relay Combination Series high voltage output current switches are the ideal solution for the automation installer. These units combine a current switch and relay into a single package, reducing the space required for total control of fans and pumps. The integrated current switch and relay operate independently of one another. All relay connections are externally available for maximum flexibility.

These products perform the functions of start/stop and status monitoring with one device instead of two.

SPECIFICATIONS

| | |
|--------------------------|---|
| Sensor Power | 30 mA (max) @ 12 to 30 Vdc |
| Insulation Class | 600 Vac RMS (UL), 300 Vac RMS (CE ¹) |
| Frequency Range | 50/60 Hz |
| Temperature Range | -15 to 60 °C (5 to 140 °F) |
| Humidity Range | 10 to 90% RH non-condensing |
| Accuracy | ±2% F.S. from 10% to 100% of selected range, but not less than ±0.4 A |
| Response Time | 2 sec. |
| Terminal Block Wire Size | 24 to 14 AWG (0.2 to 2.1 mm ²) |
| Terminal Block Torque | 3.5 to 4.4 in-lbs (0.4 to 0.5 N-m) |

WARRANTY

| | |
|------------------|---------|
| Limited Warranty | 5 years |
|------------------|---------|

AGENCY APPROVALS

| | |
|------------------|--|
| Agency Approvals | UL 508 open device listing; CE: EN61010-1, CAT III, Pollution Degree 2, basic insulation |
|------------------|--|



1. The CE mark indicates RoHS2 compliance. Please refer to the CE Declaration of

Lower costs

Power the sensor, and receive the signal with only two wires...lower cabling and commissioning costs than with traditional 3-wire sensors

Retrofit

Self-gripping, split-core design for fast retrofit installation...no need to remove conductor (H921)

New construction

Economical solid-core features adjustable bracket for easy alignment (H721 Series)

Factory calibrated

Factory calibrated switch-selectable ranges for high resolution and installation ease

3 field-selectable

Three field-selectable ranges per unit...fewer versions to choose from, stock, and install

Installation flexibility

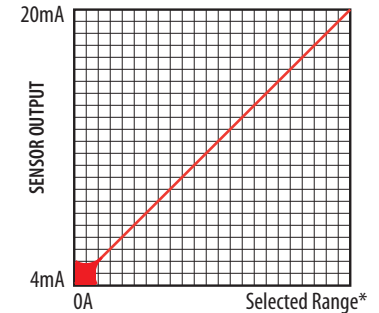
Removable mounting bracket for installation flexibility

APPLICATIONS

- Load trending
- Motor control
- Fan/pump status

EXAMPLE LINEAR OUTPUT

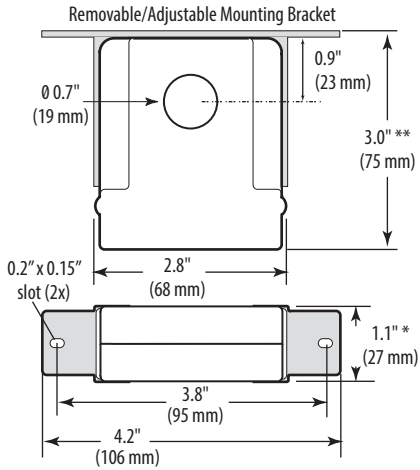
Scale software as shown



SENSED AMPS

*Factory calibrated ranges selected with the amperage range switch

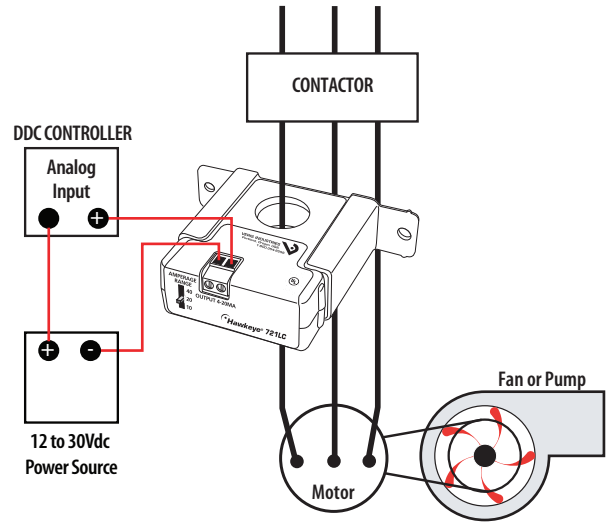
H721LC/H721HC
Dimensional Drawing



* Terminal block may extend up to 1/8" over the height dimensions shown.
** Slide switch may extend up to 1/4" over the height dimensions shown.

MONITORING FAN /PUMP MOTORS FOR POSITIVE PROOF OF FLOW

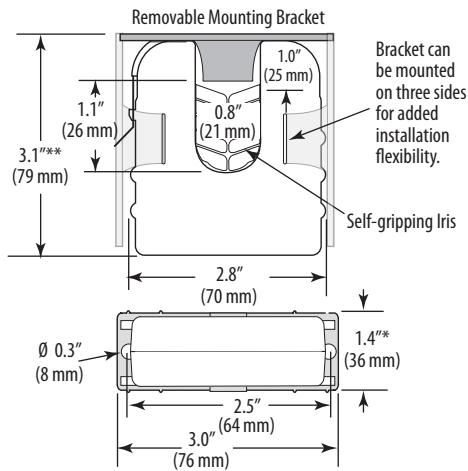
Wiring Diagram



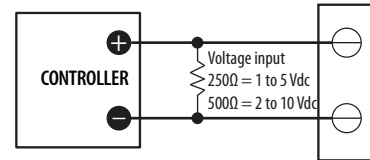
Voltage Output

H921

Dimensional Drawing



* Terminal block may extend up to 1/8" over the height dimensions shown.
** Slide switch may extend up to 1/4" over the height dimensions shown.



ORDERING INFORMATION

| MODEL | AMPERAGE RANGE | SENSOR OUTPUT | HOUSING | UL | CE |
|--------|-------------------|---------------|------------|----------------|----|
| H721LC | 0 to 10/20/40 A | 4 to 20 mA DC | Solid-Core | • | • |
| H721HC | 0 to 50/100/200 A | | Solid-Core | • | • |
| H921 | 0 to 30/60/120 A | | Split-Core | • ¹ | • |

1. Listed for use on 75 °C insulated conductors.
Note: For 10 to 80 Hz applications, see the H720 VFD sensor.