

# Current Transducers: 0-5VDC Analog Output

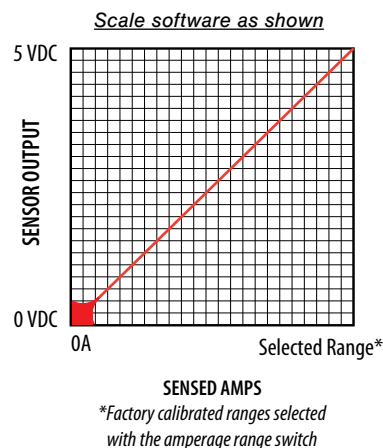
## Hx22 Series



### SPECIFICATIONS

<b>Sensor Power</b>	Induced from monitored conductor
<b>Insulation Class</b>	600VAC RMS (UL), 300VAC RMS (CE)
<b>Frequency</b>	50/60 Hz nominal
<b>Temperature Range</b>	-15° to 60°C (5° to 140°F)
<b>Humidity Range</b>	10-90% RH non-condensing
<b>Accuracy</b>	±2% F.S. from 10% to 100% (selected range)
<b>Response Time</b>	2 sec.
<b>Terminal Block Wire Size</b>	24-14 AWG (0.2 to 2.1 mm <sup>2</sup> )
<b>Terminal Block Torque</b>	3.5 to 4.4 in-lbs (0.4 to 0.5 N-m)
<b>Agency Approvals</b>	UL 508 open device listing; CE: EN61010-1, CAT III, pollution degree 2, basic insulation

### EXAMPLE LINEAR OUTPUT



## Load Trending With 0-5 VDC Output

### FEATURES

- Self-powered analog current sensor simplifies installation
- No external power required for sensor...no extra power supplies needed
- Self-gripping, split-core design for fast retrofit installation...no need to remove conductor (H922)
- Economical solid-core models feature adjustable bracket for easy alignment (H722xLC)
- No jumpers on unit...reduces installation error
- Selectable factory calibrated ranges for increased flexibility and resolution
- Some models available with three field-selectable ranges per unit...fewer versions to choose from, stock, and install
- Mini-sized H822 fits easily in tight enclosures
- Removable bracket on H922 can be installed in three different configurations...added flexibility
- 100% solid state, no moving parts to fail
- Fixed current models...speed installation
- 5-year warranty

### DESCRIPTION

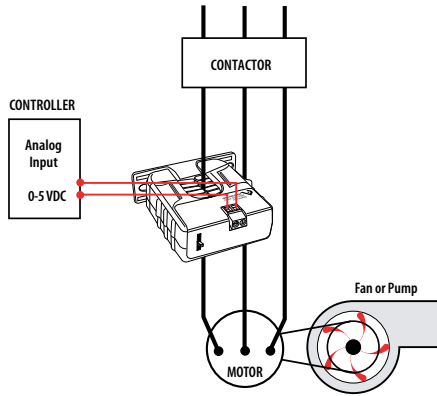
The **Hawkeye 722, 822, and 922** provide accurate load trending information with a proportional 0-5VDC output signal. Slide-switches provide easy field selection of monitored amperage range without jumpers (available on some models).

### APPLICATIONS

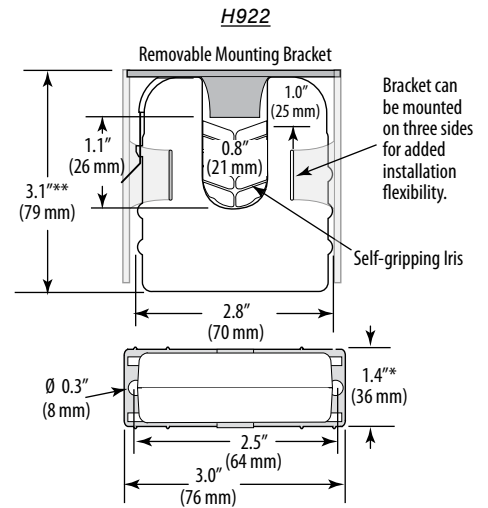
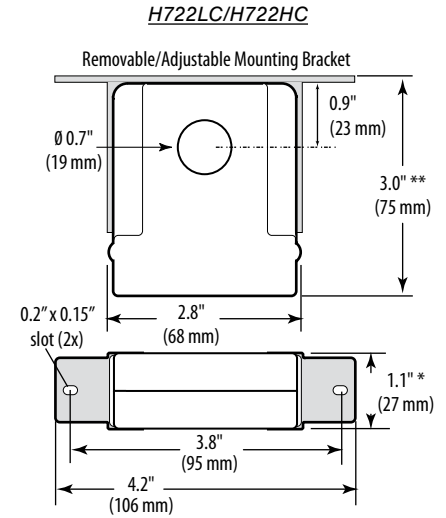
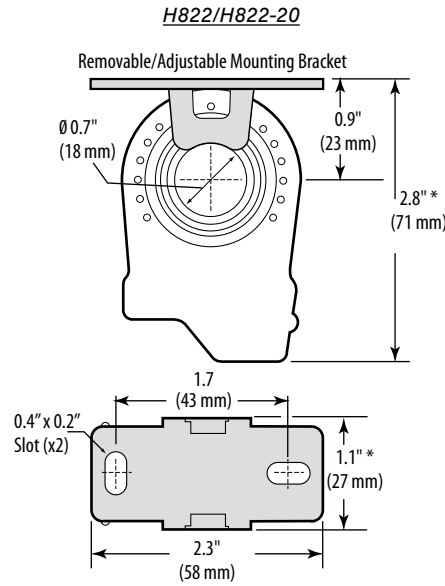
- Load trending
- Motor control
- Positive proof of flow

**WIRING DIAGRAM**

*Monitoring Fan / Pump Motors for Positive Proof of Flow*



**DIMENSIONAL DRAWINGS**



\* Terminal block may extend up to 1/8" over the height dimensions shown.  
\*\* Slide switch may extend up to 1/4" over the height dimensions shown.

**ORDERING INFORMATION**



MODEL	AMPERAGE RANGE	SENSOR OUTPUT	HOUSING	UL	CE	RoHS
H722LC	0 - 10/20/40A	0 - 5VDC	Solid-Core	●	●	
H722HC	0 - 50/100/200A		Solid-Core	●	●	
H822	0 - 10A		Solid-Core	●		●
H822-20	0 - 20A		Solid-Core	●		●
H922	0 - 30/60/120A		Split-Core	● <sup>1</sup>	●	
H922030A	0 - 30A		Split-Core		●	
H922060A	0 - 60A		Split-Core		●	
H922120A	0 - 120A		Split-Core		●	

1 Listed for use on 75°C insulated conductors.

**ACCESSORIES**

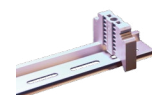
DIN Rail Clip Set (AH01)  
DIN Rail (AV01) and DIN Stop Clip (AV02)



AH01



AV01



AV02