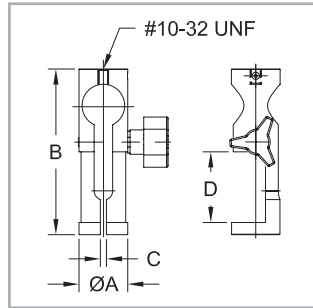


► All dimensions presented as IN [MM]

Wire terminal grips

For testing wire terminals, cables, connectors, and other samples for pull testing.

Model No.	Capacity lbF [N]	Weight lb [kg]	ØA	B	C	D
G1001	200 [1000]	0.29 [0.13]	1.00 [25.4]	3.40 [86.4]	0 - 0.125 [0 - 3.1]	1.45 [36.8]
G1001-1					0.125 - 0.25 [3.1 - 6.3]	
G1001-2					0.25 - 0.375 [6.3 - 9.5]	

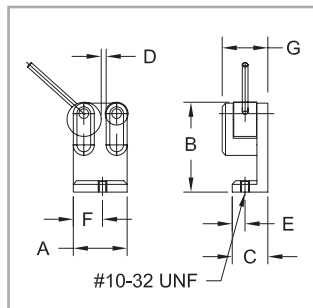


Dual roller grip

For securing the ends of wire, cable, and tubing samples for pull testing. Engaging and disengaging samples is quick and easy with an efficient cam design and convenient side slot for sample insertion. Steel rollers are serrated for good grip.

Model No.	Capacity lbF [N]	Weight lb [kg]
G1002	200 [1000]	0.19 [0.09]

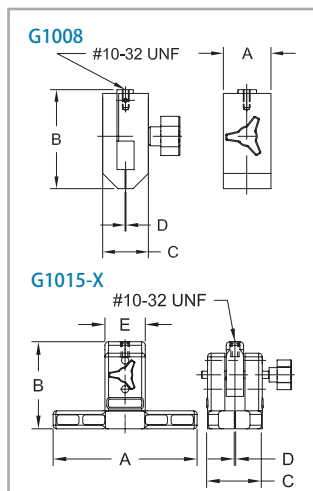
A	B	C	D	E	F	G
1.18 [30.0]	2.00 [50.8]	0.75 [19.1]	0 - 0.25 [0 - 6.3]	0.25 [6.4]	0.64 [16.3]	1.0 [25.4]



Film and paper grips

For gripping film, paper, labels, packaging, and other thin materials for tensile and peel testing. Adjustable serrated interlocking jaws grip the sample securely.

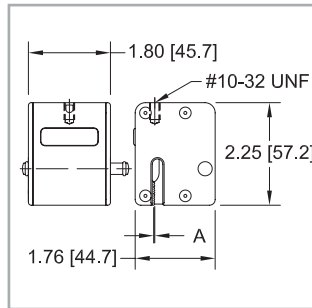
Model No.	Capacity lbF [N]	Weight lb [kg]	A	B	C	D
G1008	100 [500]	0.31 [0.14]	1.00 [25.4]	2.50 [63.5]	1.60 [40.6]	0 - 0.15 [0 - 3.8]
G1015-1		0.57 [0.26]	3.00 [76.2]	3.00 [76.2]	1.90 [48.3]	0 - 0.50 [0 - 12.7]
G1015-2		0.67 [0.30]	5.00 [127.0]			
G1015-3		0.77 [0.35]	7.00 [177.8]			



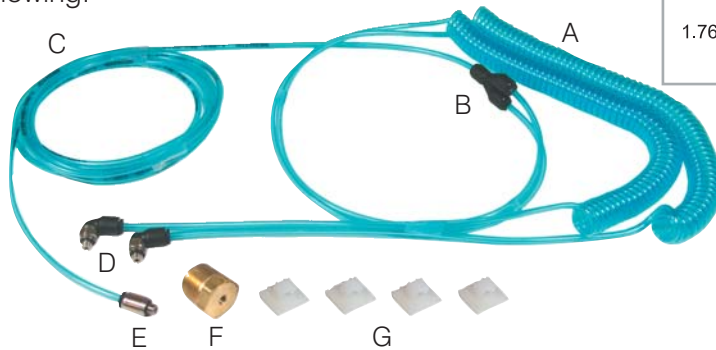
Pneumatic film and paper grip

Fully enclosed, air-powered grip for seal strength testing of packaging, elongation testing of various materials, and other tensile testing requirements. Serrated interlocking jaws effectively grip samples for up to 100 lbF of force. The grip features a unique integrated open/close valve for quick sample engagement and disengagement. An air connection kit, consisting of tubing and fittings needed to connect two grips, is available separately.

Model No.	Capacity lbF [N]	Weight lb [kg]	Max. pressure PSI (MPa)	Air input thread	A
G1046	100 [500] at 100 PSI [0.86 MPa]	0.58 [0.26]	125 [0.86]	#10-32 UNF	0 - 0.13 [0 - 3.3]



The optional air connection kit consists of the following:



- A. Coiled tubing, 1/8" OD, 1/16" ID, 8" retracted length (qty. 2)
- B. Y-splitter (qty. 1)
- C. Straight tubing, 1/8" OD, 1/16" ID, 5' length (qty. 1)
- D. Elbow fitting, tubing to #10-32M (qty. 1)
- E. Straight fitting, tubing to #10-32M (qty. 1)
- F. Thread adapter, #10-32F to 1/4" NPT M (qty. 1)
- G. Adhesive-backed guide (qty. 4)

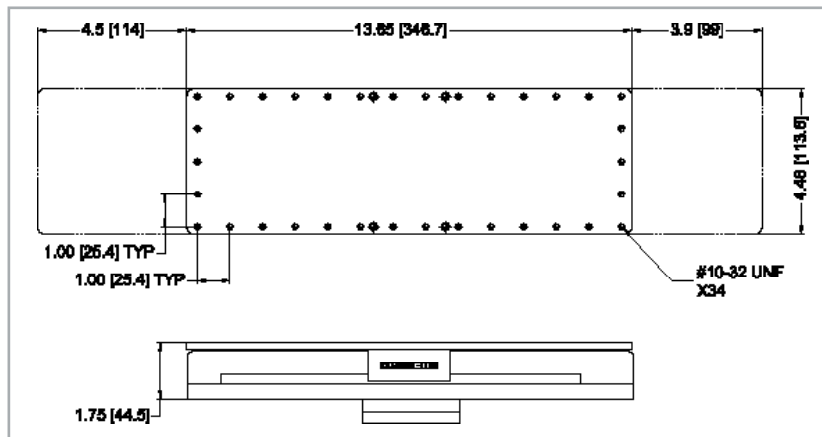
Model No.	Description
AC1019	Air connection kit for G1046

90° Peel Fixture

For the testing of adhesives, films, and various types of packaging. Maintains a 90° angle between the table and direction of pull. Optional limit switch stops motorized travel, preventing cable breakage.



← G1045-1 optional limit switch



Model No.	Description
G1045	90° peel fixture
G1045-1	Limit switch for G1045

Wedge grips

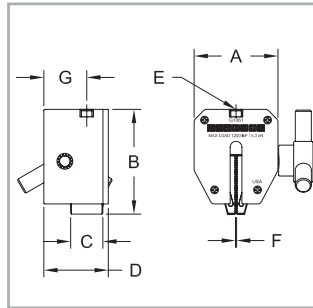
A heavy-duty grip designed for a range of tensile testing requirements up to 1200 lb [5.3 kN]. Self-tightening serrated jaws engage the sample through a spring loaded knob and rack and pinion type mechanism. The jaws ride on rollers, eliminating jamming common in conventional wedge grips.

A	B	C	D	E	F	G
1.95 [49.5]	2.45 [62.2]	0.75 [19.1]	1.50 [38.1]	5/16-18 UNC	0 - 0.25 [0 - 6.4]	1.00 [25.4]

Model No.	Capacity lbF [kN]	Weight lb [kg]	Jaw Material	Jaw Hardness
G1061	1200 lbF [5.3kN]	0.80 [0.36]	416 SS	43 RC



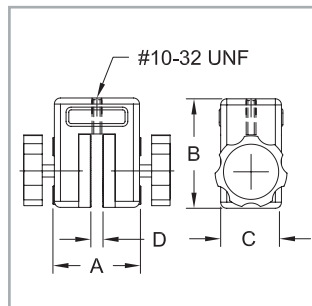
◀ Supplied with a 5/16-18M to #10-32F adapter



Parallel jaw grip

For general pull testing applications. Manually tightened serrated jaws may be individually adjusted.

Model No.	Capacity lbF [N]	Weight lb [kg]	A	B	C	D
G1013	200 [1000]	0.65 [0.29]	1.75 [44.5]	2.25 [57.2]	1.25 [31.8]	0 - 0.25 [0 - 6.3]



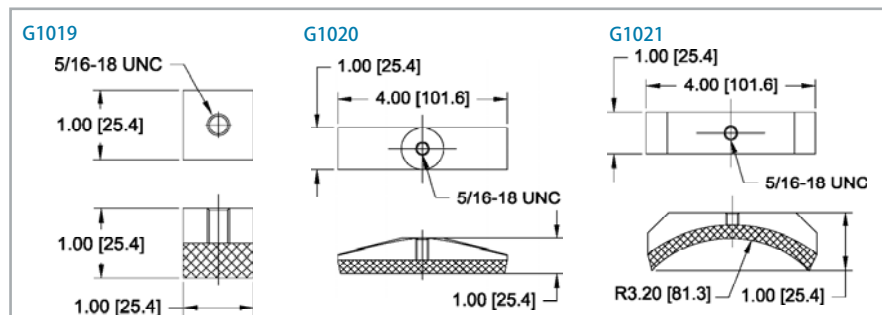
Padded attachments

For applications in physical therapy and ergonomics, including muscle strength testing, job task requirements, and more.

Model No.	Capacity lbF [kN]	Weight lb [kg]
G1019	500 [2.5]	0.03 [0.01]
G1020	500 [2.5]	0.13 [0.06]
G1021	500 [2.5]	0.25 [0.11]



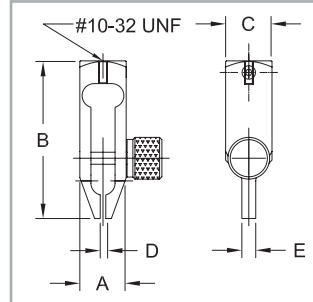
◀ Supplied with a 5/16-18M to #10-32F adapter



Miniature component grip

For testing small and hard-to-reach electronic and mechanical components. Slender profile allows this grip to be used in a wide range of applications.

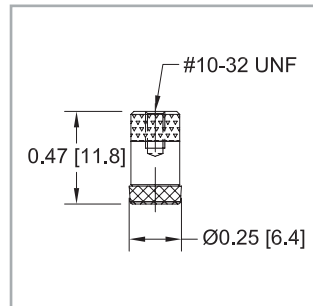
Model No.	Capacity lbF [N]	Weight lb [kg]	A	B	C	D	E
G1003	30 [150]	0.05 [0.02]	0.5 [12.7]	1.7 [43.2]	0.5 [12.7]	0 - 0.07 [0 - 1.8]	0.15 [3.8]



Rubber tip

Simulates a finger for testing pushbuttons, membrane switches, touch-screen panels, keyboards, etc.

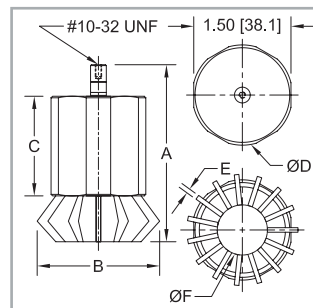
Model No.	Capacity lbF [N]	Weight lb [kg]
G1011	50 [250]	0.01 [0.004]



Multi-jaw grip

For gripping round or odd shaped items.

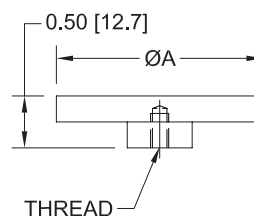
Model No.	Cap. lbF [N]	Weight lb [kg]	ØA	B	C	ØD	E	ØF
G1056	100 [500]	0.30 [0.14]	3.50 [88.9]	2.30 [58.4] MAX	1.63 [41.4]	1.55 [39.4]	0.075 [1.91]	0.40 - 1.25 [10.2 - 31.7]



Compression plates

For compressing springs, foams, cartons, aerosol cans, and many other products.

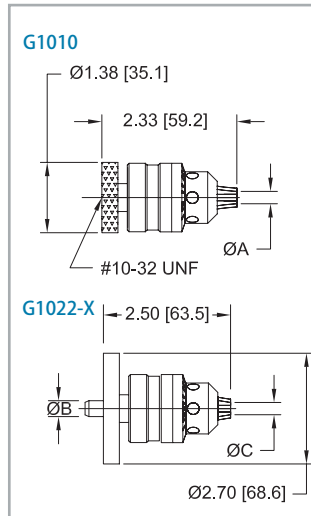
Model No.	Capacity lbF [N]	Weight lb [kg]	ØA	Thread
G1009	200 [1000]	0.08 [0.04]	2.0 [51.0]	#10-32F
G1009-1	500 [2500]	0.27 [0.12]	3.0 [76.2]	5/16-18F



Chuck grips

For securing round samples, fixtures, or bits. Although both models may be used in force and torque applications, the G1010 is typically used in force measurement applications, while the G1022 is typically mounted to Series TST torque test stands for torque measurement applications.

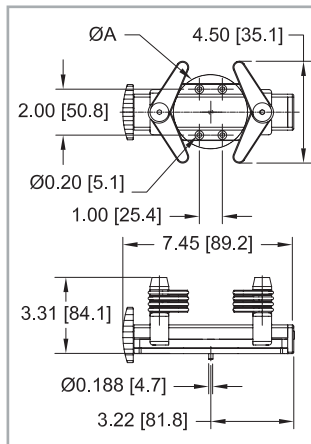
Model No.	Capacity	Weight lb [kg]	ØA	ØB	ØC
G1010	30 lbF [150 N]	0.35 [0.16]	0.062 - 0.375 [1.6 - 9.5]	N/A	N/A
G1022-1	100 lbFin [11.3 Nm]	0.50 [0.23]	N/A	0.188 [4.7]	0.028 - 0.250 [0.7 - 6.3]
G1022-2					0.062 - 0.375 [1.6 - 9.5]
G1022-3					0.078 - 0.500 [2 - 12.7]



Universal bottle grip

For gripping bottles and containers for closure torque testing. Eight rubber edged gripping arms secure a wide range of sample shapes and sizes and can be individually positioned at angles of up to 180°. Mounts directly to Series TST torque test stands or force test stands (for such applications as top load testing).

Model No.	Capacity lbFin [Nm]	Weight lb [kg]	ØA
G1023	100 [11.3]	1.50 [0.7]	4.80 [122.0] MAX

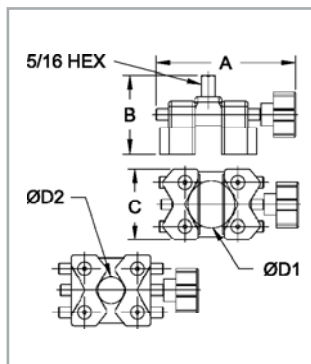


Universal V-Jaw grip

For gripping round objects. Serrated, reversible aluminum jaws effectively grip a wide range of sample shapes and sizes. Mounts directly to Series STH and STJ torque sensors, and Mark-10 force test stands.

Model No.	Capacity lbFin [Nm]	Weight lb [kg]
G1053	100 [11.3]	0.39 [0.18]

A	B	C	ØD1*	ØD2*
3.1 [78.7]	2.0 [50.8]	1.6 [40.6]	1.10 - 1.55 [27.9 - 39.4]	0.65 - 1.10 [16.5 - 27.9]

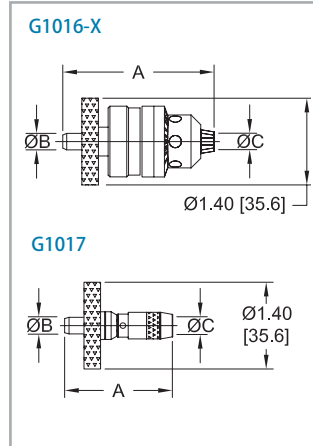


* Jaws must be reversed to switch from ØD1 to ØD2

Series STH attachments

Jacobs chucks and bit holder mount to the STH to secure a fixture, bit, or sample during torque testing.

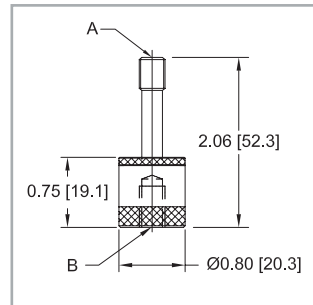
Model No.	Capacity lbFin [Nm]	Weight lb [kg]	A	ØB	ØC
G1016-1	100 [11.3]	0.26 [0.12]	2.90 [73.7]	0.188 [4.7]	0.028 - 0.250 [0.7 - 6.3]
G1016-2		0.36 [0.16]	3.16 [80.3]		0.062 - 0.375 [1.6 - 9.5]
G1016-3		0.67 [0.30]	3.73 [94.7]		0.078 - 0.500 [2 - 12.7]
G1017		0.11 [0.05]	2.33 [59.2]		1/4" hex



Swivel adapters

For use between any grip and force gauge to provide a swiveling action for proper sample alignment.

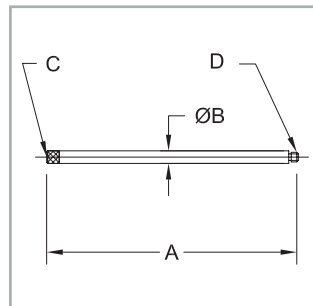
Model No.	Capacity lbF [N]	Weight lb [kg]	A	B
G1018-1	200 [1000]	0.12 [0.05]	#10-32M	#10-32F
G1018-2	500 [2500]	0.27 [0.12]	5/16-18M	5/16-18F



Extension rods

For use between a force gauge and another attachment, such as a hook or compression plate.

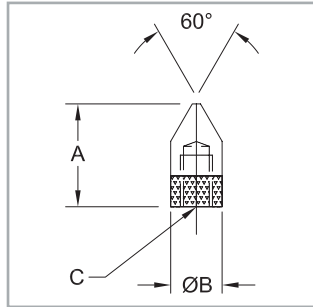
Model No.	Capacity lbF [N]	Weight lb [kg]	A	ØB	C	D
G1024	200 [1000]	0.01 [0.005]	5.0 [127.0]	0.25 [6.4]	#10-32F	#10-32M
G1024-1		0.02 [0.009]	2.0 [50.8]			
G1024-2		0.05 [0.023]	1.0 [25.4]			
G1031	500 [2500]	0.05 [0.023]	5.0 [127.0]	0.50 [12.7]	5/16-18F	5/16-18M
G1031-1		0.10 [0.045]	2.0 [50.8]			
G1031-2		0.25 [0.113]	1.0 [25.4]			



Chisel points

For compressing or puncturing a variety of samples.

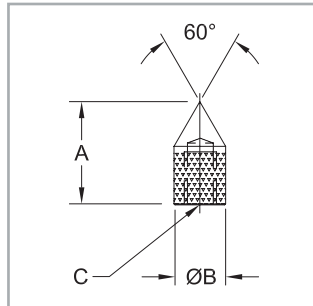
Model No.	Capacity lbF [N]	Weight lb [kg]	A	ØB	C
G1025	200 [1000]	0.003 [0.001]	0.50 [12.7]	0.25 [6.4]	#10-32F
G1032	500 [2500]	0.040 [0.018]	1.00 [25.4]	0.50 [12.7]	5/16-18F



Cone points

For various compression tests.

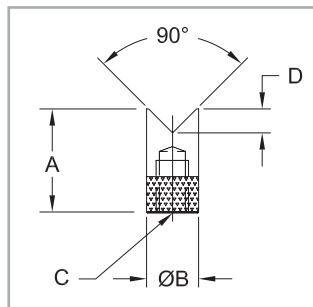
Model No.	Capacity lbF [N]	Weight lb [kg]	A	ØB	C
G1026	200 [1000]	0.003 [0.001]	0.50 [12.7]	0.25 [6.4]	#10-32F
G1033	500 [2500]	0.030 [0.014]	1.00 [25.4]	0.50 [12.7]	5/16-18F



V-grooves

For compression testing of round or odd-shaped samples.

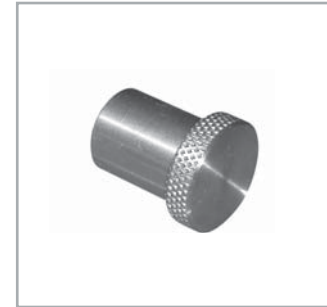
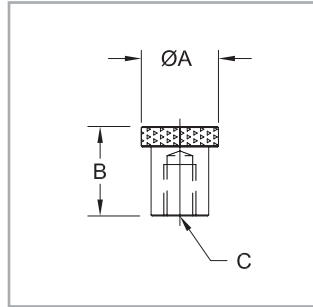
Model No.	Capacity lbF [N]	Weight lb [kg]	A	ØB	C	D
G1027	200 [1000]	0.004 [0.002]	0.50 [12.7]	0.25 [6.4]	#10-32F	0.08 [2.0]
G1034	500 [2500]	0.040 [0.018]	1.00 [25.4]	0.50 [12.7]	5/16-18F	0.25 [6.4]



Flat heads

For compression testing of buttons, membrane switches, etc.

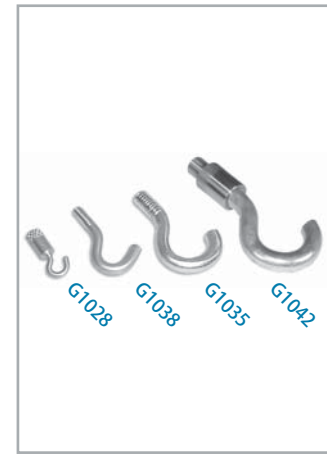
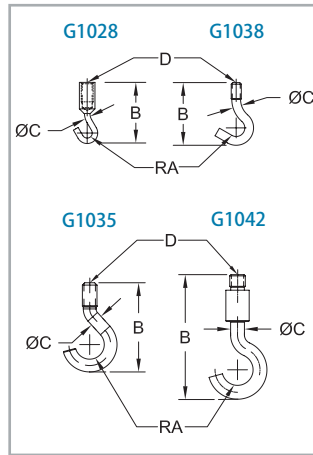
Model No.	Capacity lbF [N]	Weight lb [kg]	ØA	B	C
G1029	200 [1000]	0.01 [0.005]	0.5 [12.7]	0.5 [12.7]	#10-32F
G1036	500 [2500]	0.06 [0.027]	0.75 [19.1]	0.87 [22.1]	5/16-18F



Hooks

For tensile testing of various samples.

Model No.	Capacity lbF [N]	Weight	RA	B	ØC	D
G1028	20 [100]	0.010 [0.005]	0.05 [1.3]	1.00 [25.4]	0.10 [2.5]	#10-32F
G1038	200 [1000]	0.020 [0.009]	0.20 [5.1]	1.50 [38.1]	0.19 [4.8]	#10-32M
G1035	500 [2500]	0.050 [0.023]	0.30 [7.6]	1.90 [48.3]	0.28 [7.1]	5/16-18M
G1042	1000 [4500]	0.320 [0.145]	0.5 [12.7]	4.10 [104.1]	0.45 [11.4]	1/2-20M



Thread adapters & couplings

For use between force gauge shafts, grips, and/or attachments.

Model No.	Capacity lbF [N]	A	B	C
G1050	100 [500]	0.75 [19.1]	#4-40M	#10-32F
G1051		0.60 [15.2]	#4-40M	#10-32M
G1039		0.75 [19.1]	#10-32F	#10-32F
G1030		0.50 [12.7]	5/16-18M	#10-32F
G1057	200 [1000]	0.75 [19.1]	#10-32F	M6F
G1060		0.75 [19.1]	#10-32M	#10-32M
G1047		0.75 [19.1]	#10-32M	M4F
G1048		0.75 [19.1]	M4M	#10-32F
G1054	500 [2500]	0.75 [19.1]	M6M	#10-32F
G1040		1.00 [25.4]	5/16-18M	5/16-18M
G1037		1.00 [25.4]	5/16-18F	5/16-18F
G1049		1.25 [31.8]	M6M	5/16-18F
G1059	1000 [5000]	1.00 [25.4]	5/16-18F	1/2-20F
G1041		1.00 [25.4]	1/2-20M	5/16-18M

