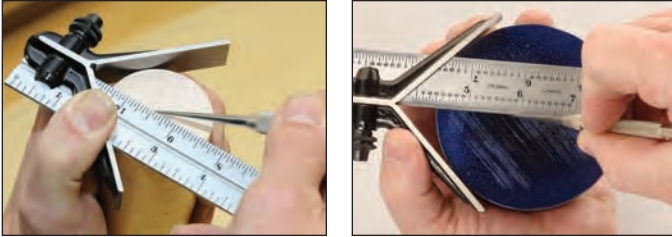


Applications: Combination Square Center Head



Applications: Combination Square Protractor Head



Tips for Using Squares and Center Heads

- Ensure that the square is clean and located against a flat surface – irregularities such as burrs on metal or knots on wood adversely effect accuracy.
- While the steel scriber can be used on any material, it is most commonly used for metal. A carpenter's pencil is normally used on wood, but a light cut with a utility knife will produce a finer line, and is also useful for cross grain scribing.
- When using a center head on a piece that may not be completely round, scribe more than two intersecting lines to achieve the best possible accuracy.

Starrett®

Form 955 20M/S 01/10 Specifications subject to change.

The Starrett Combination Square

Introduction, Assembly & Applications

Congratulations on your purchase of a Starrett Combination Square. Starrett was the first and is still the best combination square available.

Invented by our Laroy S. Starrett, in 1877, the combination square was literally the driving force in the founding of The L.S. Starrett Company in 1880.

After more than 130 years, this practical and versatile tool is still commonly utilized in a wide variety of applications.



Laroy S. Starrett
(1836-1922)

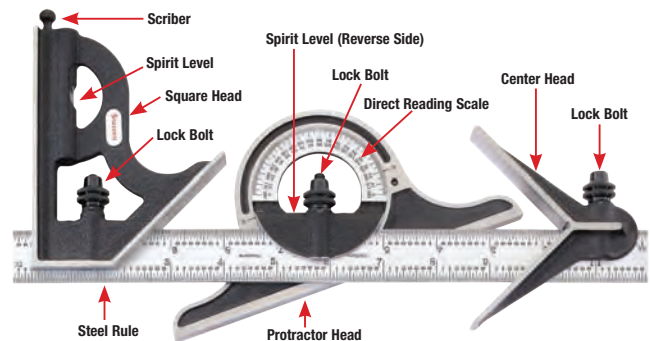
Description and Components

The combination square includes a hardened steel graduated rule and movable combination square and miter head with spirit level and scriber. The square head has a precision ground 90° square face and a 45° miter face. It is a highly versatile layout tool for scribing right angles and parallel lines, and a measuring tool that can be used as a tri-square, miter, depth gage, height gage, and level.

The Center Head is an available attachment that provides an easy means of accurately locating the center of cylindrical or square work.

The Protractor Head is another available attachment. It has revolving turrets with direct-reading double graduations, a full 0 to 180° in opposite directions. This permits accurate and quick direct reading of angles above or below the blade.

Complete Sets are available including the rule and all three heads in a fitted case.



Assembling and Reconfiguring Your Combination Square

This tool was designed as a square that would move up and down a ruler blade with precision, thus allowing a wide range of applications. The tool consists of a blade with a machined groove on the center of one side and a square head with a lockable assembly and specially designed bolt to engage the slot.

- When installing the blade into the head, be sure to align the bolt with the groove.
- Look at the machined slot on the head and note the position of the bolt.
- If the bolt is in the wrong position, loosen the spring loaded lock nut, press down and turn the post until the bolt aligns with the blade slot, slide the blade into the head and lock the nut.
- Follow the same procedure to attach center and protractor heads.
- The blade has two or four graduation types along its edges. To reverse the blade and see different graduations, loosen the nut, remove the blade, rotate the bolt 180°, flip and re-insert the blade, then lock the nut.



Applications: Combination Square with Rule & Movable Head

