



# APM Power Meter

For single-phase, split-phase & 3-phase mains networks

## Advanced Panel Meter (APM)

**Programmable dynamic backlight color**



Warning flash

**1%**  
Accuracy

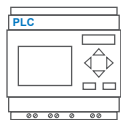
Combined **digital and bar graph** display



**Ten user configurable alarms**



**Programmable scale**  
Measure **single-, split- and 3-phase**



**2 Digital Outputs**  
**1 Analog Output**



**USB port for custom user settings**  
via the **free easy-to-use software**



**Front panel navigation buttons**

### Instantaneous:

- Voltage (L-L and L-N)
- Current (L-L and L-N)
- Reactive Power (VAR)
- Active Power (W)
- Apparent Power (VA)
- Frequency (Hz)
- Power Factor (PF)
- THD Voltage & Current
- % Max Load
- Alarm Status (available on Modbus communication)
- Phase Angle (available on Modbus communication)

### Networks:

- Single phase, 2-wire
- Single phase, 3-wire (split-phase)
- 3-phase, 3-wire
- 3-phase, 4-wire



**Modbus®**  
RTU Connectivity

**Less than 75mm deep**



## Key Features

- For single-, split- and 3-phase applications.
- Measures Active (W), Reactive (VAR) and Apparent (VA) power.
- Displays electrical parameters on large, backlit LCD display.
- Features two independent opto-isolated digital outputs plus one analog 4-20mA output.
- Includes MODBUS® RTU communication as standard.
- Provides clear indication of electrical circuit performance.
- User-programmable scale and custom alarm messages display critical parameters and immediately alerts operators when a parameter is out of range.
- Programmable Current Transformer (CT) and Potential Transformer (PT) ratios.

## Specifications

### NETWORKS MEASUREMENT

Frequency	45 - 65 Hz
Voltage measurement range	L-L 0 - 600VAC L-N 10 - 300VAC
Programmable PT range	1:1 to 1000:1
Current measurement range	0 - 5A
Programmable CT range	1:1 to 1000:1
Accuracy	1% (THD 5%) of full scale

### ENVIRONMENTAL

Temperature - operating	-10 to +50°C
Temperature - storage	-40 to +70°C
IP rating (from the front)	IP65, NEMA type 4 and NEMA type 12

### POWER SUPPLY

Input	100 - 277 VAC
Supply frequency	50-60Hz
Max power	2W

### DISPLAY

Backlight colors	Red, Green, White
------------------	-------------------

### DIGITAL OUTPUTS

Number	2
Type	Opto-Isolated
Operating modes	Momentary
Max voltage	24VDC
Max sink current	15mA

### ANALOG OUTPUTS

Number	1
Analog output	4-20mA

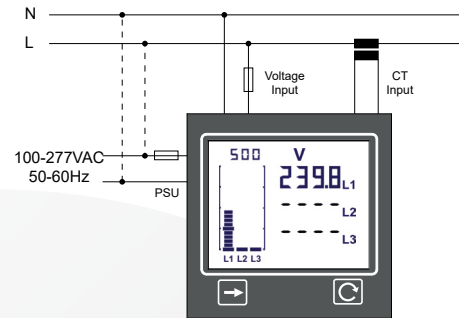
### COMMUNICATION

CERTIFICATION	Modbus® RTU CE, RoHS, UL
---------------	-----------------------------

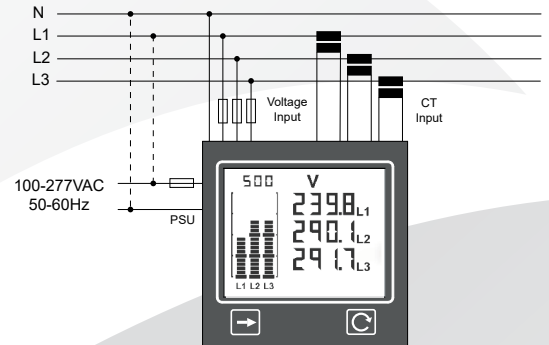
1P2W, 1P3W, 3P3W, 3P4W,

## Wiring Diagrams and Isolation

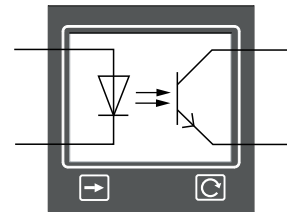
### Single phase 2-wire (1P2W)



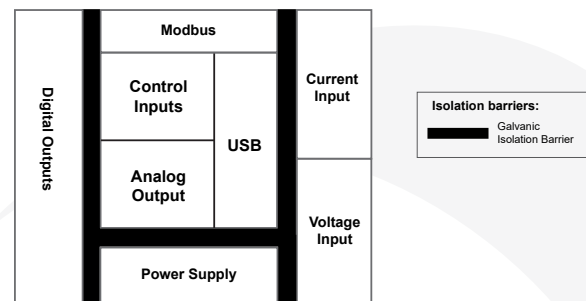
### 3 phase 3-wire (3P3W)



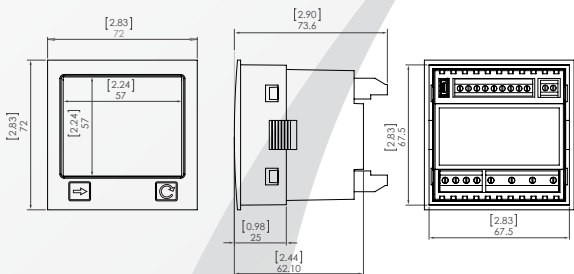
### Control Outputs



### Isolation



## Dimensions:



Panel Cutout:  
68mm x 68mm  
[2.68" x 2.68"] as per  
DIN43700/IEC61554

APM-PWR-APO  
APM-PWR-ANO  
APM-PWR-XXX

APM Power Meter, Positive LCD  
APM Power Meter, Negative LCD (subject to MOQ and extended lead time)  
Custom Option

