



ACD-50NAV
600A AC Navigator Clamp

ACD-51NAV
600A AC TRMS
Navigator Clamp

ACDC-52NAV
600A AC/DC TRMS
Navigator Clamp

ACD-53NAV
1000A AC TRMS
Navigator Clamp

ACDC-54NAV
1000A AC/DC TRMS
Navigator Clamp

Users Manual

- Mode d'emploi
- Bedienungshandbuch
- Manual d'Uso
- Manual de uso



ACD-50NAV
600A AC Navigator Clamp

ACD-51NAV
600A AC TRMS Navigator Clamp

ACDC-52NAV
600A AC/DC TRMS Navigator Clamp

ACD-53NAV
1000A AC TRMS Navigator Clamp

ACDC-54NAV
1000A AC/DC TRMS Navigator Clamp

English

Users Manual

07/2013, Rev.2
©2013 Amprobe Test Tools.
All rights reserved. Printed in Taiwan

Limited Warranty and Limitation of Liability

Your Amprobe product will be free from defects in material and workmanship for 1 year from the date of purchase. This warranty does not cover fuses, disposable batteries or damage from accident, neglect, misuse, alteration, contamination, or abnormal conditions of operation or handling. Resellers are not authorized to extend any other warranty on Amprobe's behalf. To obtain service during the warranty period, return the product with proof of purchase to an authorized Amprobe Test Tools Service Center or to an Amprobe dealer or distributor. See Repair Section for details. THIS WARRANTY IS YOUR ONLY REMEDY. ALL OTHER WARRANTIES - WHETHER EXPRESS, IMPLIED OR STATUTORY - INCLUDING IMPLIED WARRANTIES OF FITNESS FOR A PARTICULAR PURPOSE OR MERCHANTABILITY, ARE HEREBY DISCLAIMED. MANUFACTURER SHALL NOT BE LIABLE FOR ANY SPECIAL, INDIRECT, INCIDENTAL OR CONSEQUENTIAL DAMAGES OR LOSSES, ARISING FROM ANY CAUSE OR THEORY. Since some states or countries do not allow the exclusion or limitation of an implied warranty or of incidental or consequential damages, this limitation of liability may not apply to you.

Repair

All test tools returned for warranty or non-warranty repair or for calibration should be accompanied by the following: your name, company's name, address, telephone number, and proof of purchase. Additionally, please include a brief description of the problem or the service requested and include the test leads with the meter. Non-warranty repair or replacement charges should be remitted in the form of a check, a money order, credit card with expiration date, or a purchase order made payable to Amprobe® Test Tools.

In-Warranty Repairs and Replacement – All Countries

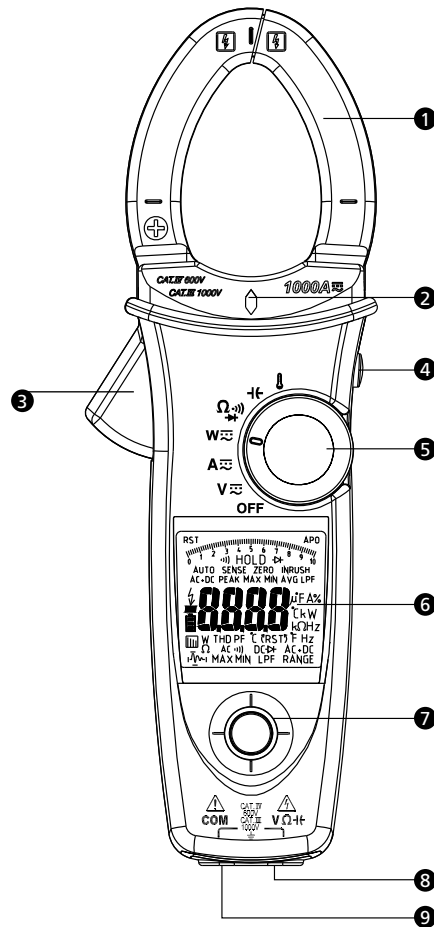
Please read the warranty statement and check your battery before requesting repair. During the warranty period any defective test tool can be returned to your Amprobe® Test Tools distributor for an exchange for the same or like product. Please check the

Additionally, in the United States and Canada In-Warranty repair and replacement units can also be sent to a Amprobe® Test Tools Service Center (see below for address).

Non-Warranty Repairs and Replacement – US and Canada

Non-warranty repairs in the United States and Canada should be sent to a Amprobe® Test Tools Service Center. Call Amprobe® Test Tools or inquire at your point of purchase for current repair and replacement rates.

ACD-50 Series CAT IV Navigator Clamps Series







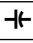

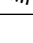
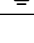









- ① Jaw
- ② VoltSense Light
- ③ Trigger
- ④ Hold / DCA Zero Key
- ⑤ Rotary Switch
- ⑥ Display
- ⑦ Navigator Key
- ⑧ V / Ω / Hz Input
- ⑨ Common Input

CONTENTS

SYMBOLS	1
UNPACKING AND INSPECTION	2
FEATURES	2
OPERATION	3
Making Basic Measurement	4
Measuring Voltage.....	5
Measuring Current.....	6
Auto Sense Mode.....	7
Peak Hold	7
Inrush Current	8
DC A ZERO	9
Measuring Frequency	9
MAX/MIN/AVG.....	9
THD Measurement	10
LPF.....	11
Measuring Active Power (W) / Power factor (PF).....	12
Phase Rotation	14
OHM Measurements	15
Measuring Capacitance	16
Measuring Temperature °C / °F	17
Measuring μ A Current	18
AUTO / Manual Range	19
HOLD Key	19
VoltSense	20
Buzzer	20
Power-up Option.....	20
Battery State Display.....	20
SPECIFICATION	21
MAINTENANCE AND REPAIR	27
Trouble Shooting.....	27
Cleaning and Storage	27
Battery Replacement	27

SYMBOLS

	Caution ! Risk of electric shock		Caution ! Refer to the explanation in this Manual
	Application around and removal from hazardous live conductors is permitted.		Equipment protected by double or reinforced insulation
	Alternating Current (AC).		Direct Current (DC).
	Temperature Measurement		Resistance Measurement
	Capacitance Measurement		Diode Measurement
	Continuity Beeper		Earth (Ground)
	To alert you to the presence of a potentially hazardous voltage, when the Meter detects a voltage ≥ 30 V or a voltage overload (OL) in V. This symbol is displayed.		Complies with European Directives
	Conform to relevant Australian standards		Battery
	Do not dispose of this product as unsorted municipal waste. Contact a qualified recycler		

Safety Information

- Individual protective equipment should be used if HAZARDOUS LIVE parts in the installation where measurement is to be carried out could be ACCESSIBLE
- This manual contains information and warnings that must be followed for operating the instrument safely and maintaining the instrument in a safe operating condition. If the instrument is used in a manner not specified by the manufacturer, the protection provided by the instrument may be impaired.
- The meter is intended only for indoor use.
- The meter protection rating, against the users, is double insulation per IEC/EN 61010-1 3rd Ed, Category III 1000 Volts AC & DC and Category IV 600 Volts AC & DC.
- Disconnect the test leads from the test points before changing the position of the function rotary switch.
- Never connect a source of voltage with the function rotary switch in Ω , μA , position.
- Do not expose Meter to extremes in temperature or high humidity.
- Never set the meter in Ω , μA , function to measure the voltage of a power supply circuit in equipment that could result in damage the meter and the equipment under test.

Measurement category:

V : Category III 1000 Volts AC & DC, and Category IV 600 Volts AC & DC.

A : Category III 1000 Volts AC & DC, and Category IV 600 Volts AC & DC.

Per IEC 61010-1 3rd Ed. Measurement Category

Measurement Category IV (CAT IV) is for measurements performed at the source of the low-voltage installation. Examples are electricity meters and measurements on primary overcurrent protection devices and ripple control units.

Measurement Category III (CAT III) is for measurements performed in the building installation. Examples are measurements on distribution boards, circuit-breakers, wiring, including cables, bus-bars, junction boxes, switches, socket-outlets in the fixed installation, and equipment for industrial use and some other equipment, for example, stationary motors with permanent connection to the fixed installation.

⚠WARNING

To reduce the risk of fire or electric shock, do not expose this product to rain or moisture. To avoid electrical shock hazard, observe the proper safety precautions when working with voltages above 60 VDC or 30 VAC rms. These voltage levels pose a potential shock hazard to the user. Do not touch test lead tips or the circuit being tested while power is applied to the circuit being measured. Keep your fingers behind the finger guards of the test leads during measurement. Inspect test leads, connectors,

and probes for damaged insulation or exposed metal before using the instrument. If any defects are found, replace them immediately. Only use the accompanied test leads, or replace with the same rating or better.

UNPACKING AND INSPECTION

Your shipping carton should include:

- 1 Power clamp meter
- 1 Test leads (1 pair)
- 1 Temp. adapter and probe (for ACD-51NAV and ACDC-54NAV only)
- 1 Users Manual
- 1 Carrying case
- 1 9V alkaline battery (installed)

If any of the items are damaged or missing, return the complete package to the place of purchase for an exchange.

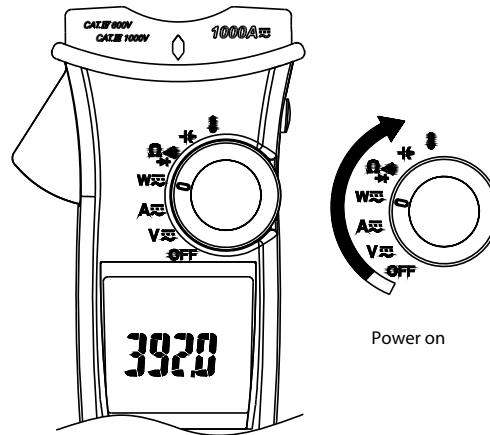
FEATURES

- True RMS
- Measurements:
 - o Voltage up to 1000V AC/DC, Resistance, Frequency, THD (Total Harmonics Distortion) and Individual Harmonics 1 to 25, Power, Power Factor
 - o AC Current
 - Up to 600A (ACD-50NAV, ACD-51NAV, ACDC-52NAV)
 - Up to 1000A (ACD-53NAV, ACDC-54NAV)

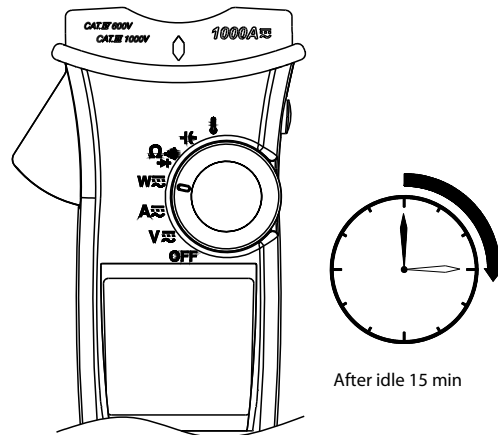
- o DC Current
 - Up to 600A (ACDC-52NAV)
 - Up to 1000A (ACDC-54NAV)
- o Capacitance
- o Temperature Measurement in °C / °F (ACD-51NAV, ACDC-54NAV only) - Temp. adapter and probe included
- o DC Micro Amps (ACD-51NAV only)
- Phase Rotation Indication
- Non-contact voltage detection
- Inrush Current measurement for motors
- Low Pass Filter for variable frequency drives
- Continuity Beeper
- Min, Max and Smart Data Hold
- Peak Hold
- Auto torch-light when clamping
- Large 10000 count display with active backlight and analog Bar graph
- Auto Power Off
- Maximum Jaw Opening 1.77" (45mm)
- 4 feet Drop Proof
- Deluxe Carrying Case Included
- CAT IV 600V /CAT III 1000V Safety Standard

OPERATION

Power On / Off



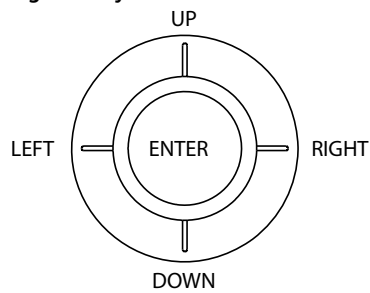
Auto Power Off



The meter can work again by turning it on from the OFF position.

Auto Power Off (APO) disable : Press "Downward" of Navigator key while tuning meter on from OFF position.

Navigator Key



The Navigator Key has 5 directions of switch on the display, toggle the navigator key to select the desired feature to activate the feature by a simple click.

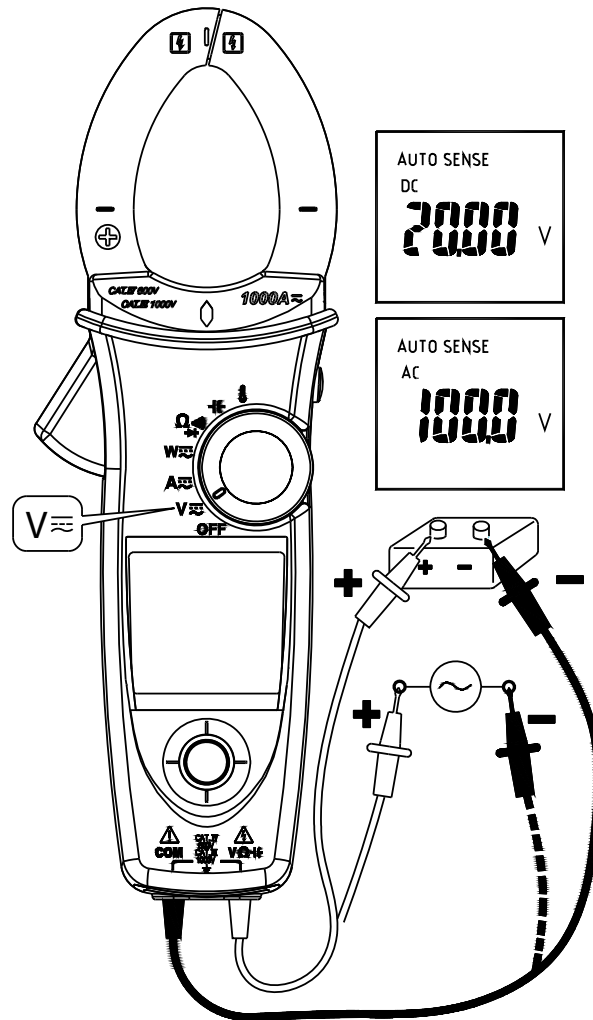
Making Basic Measurements

⚠ CAUTION

Before and after hazardous voltage measurements, test the voltage function on a known source such as line voltage to determine proper meter functioning.

When connecting the test leads to the EUT (Equipment Under Test) connect the common test lead before connecting the live lead; when removing the test leads, remove the test live lead before removing the common test lead.

Measuring Voltage

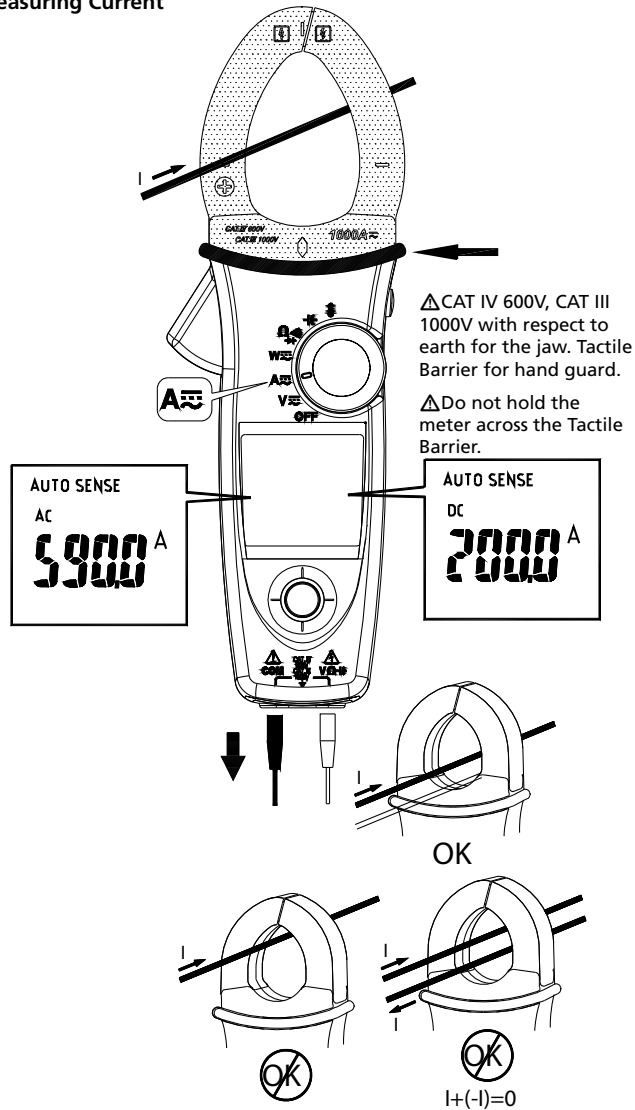


⚠ WARNING

To avoid electrical shock, hazard or damage to meter, do not attempt to measurement that might exceed 1000 V DC or AC RMS. Do not apply more than 1000 V DC or AC RMS to the input terminals.

Note - If the measured voltage is higher than 30 V DC or AC RMS, the display will show "f" symbol.

Measuring Current



- Don't clamp on any conductor while the meter power on.
- ACD-50NAV, ACD-51NAV or ACD-53NAV has only AC current measurement mode.
- Torch lighting when clamping.

△ CAUTION

Please do not measure current from clamp jaw when temperature probe is connected to meter.

AUTO SENSE mode:

Display measurement result at AC only with RMS value or DC value, it depends on whichever is greater.

AC mode: AC only with RMS value.

DC mode: DC value.

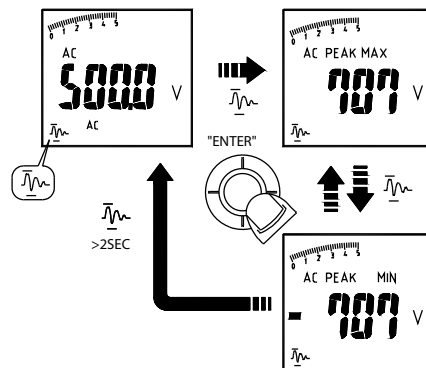
AC+DC mode: AC+DC RMS value.

Note:

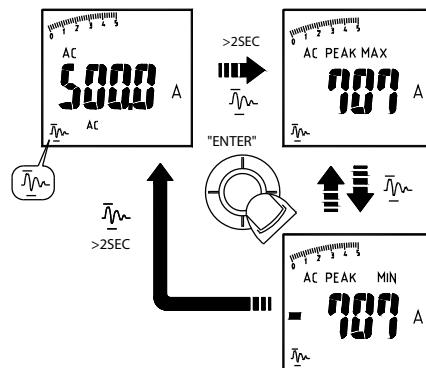
- Select "AC", "DC" or "AC+DC" indicator then press the navigator key to enter the AC/DC/AC+DC mode.
- Select "AC", "DC" or "AC+DC" indicator then press the navigator key for more than 2 seconds to return to the AUTO SENSE mode.

PEAK HOLD $\bar{\sqrt{}}\sim$ (AC mode only)

1. In ACV mode, select " $\bar{\sqrt{}}\sim$ " indicator on the display to enter PEAK HOLD mode. To exit PEAK HOLD mode, press the navigator key for more than 2 seconds.



2. In AC A mode, select " $\bar{\sqrt{}}\sim$ " indicator then press the navigator key for more than 2 seconds to enter PEAK HOLD mode. To exit PEAK HOLD mode, just press the navigator key for more than 2 seconds to return to the " $\bar{\sqrt{}}\sim$ " indicator.

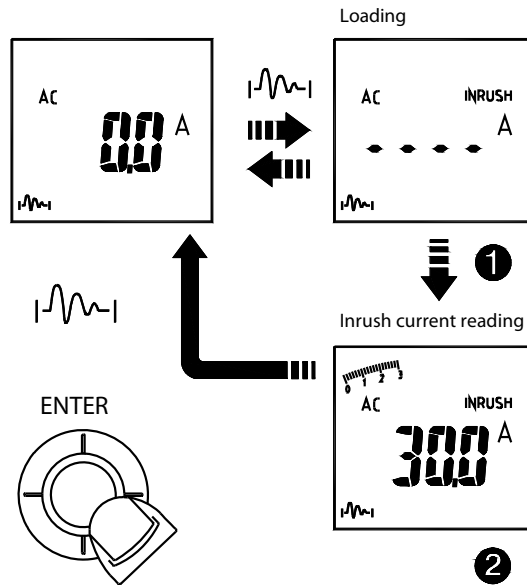
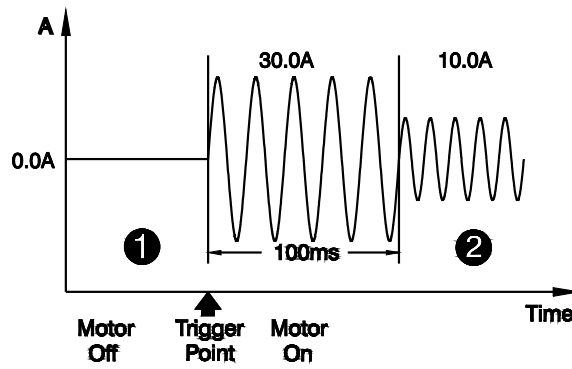


In PEAK HOLD mode, the meter is activated to save the positive peak value and negative peak value. Positive peak value is displayed in PEAK MAX mode. Negative peak value is displayed in PEAK MIN mode.

Inrush Current I_{INR} : (AC mode only)

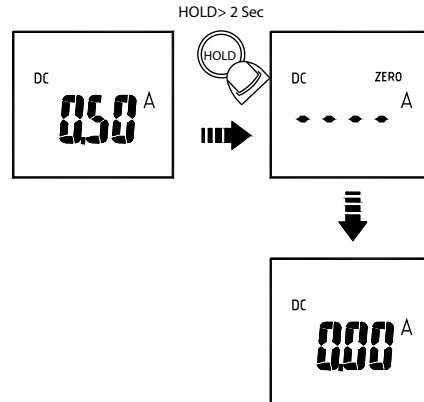
If the under testing inrush current could be bigger than 100A ac, please select the range to 600A/1000A in advance before activating inrush current.

In ACA mode, select " I_{INR} " indicator on the display to enter Inrush Current mode. To exit Inrush Current mode, press the navigator key again.



DC A ZERO (For ACDC-52NAV, ACDC-54NAV Only)

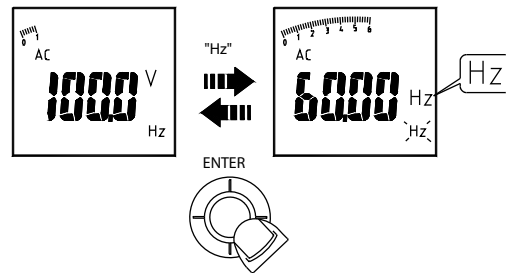
Remove the jaw out of the conductor.
Press HOLD Key > 2 seconds to compensate the residual magnetism.



- DC A Zero is only available in Auto Sense, DC and AC+DC mode.

Measuring Frequency (AC mode only)

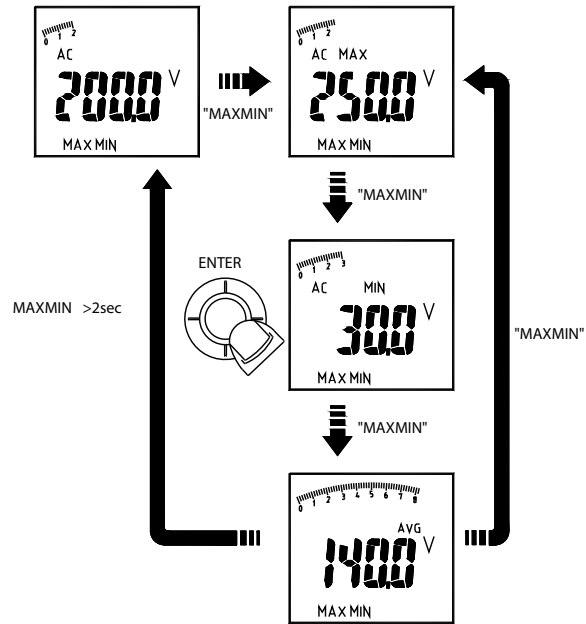
Select the "Hz" indicator then press the navigator key to enter/exit the frequency measurement mode.



MAX/MIN/AVG

Select the "MAX MIN" indicator then press the navigator key to enter the MAX/MIN/AVG mode. To quit from the MAX/MIN/AVG mode, press the navigator key for more than 2 seconds.

The MAX/MIN/AVG mode records the minimum and maximum input values. When the inputs go below the record minimum value or above the record maximum value, the meter records the new value. The MAX/MIN/AVG mode can also calculate the average of the maximum value and the minimum value.

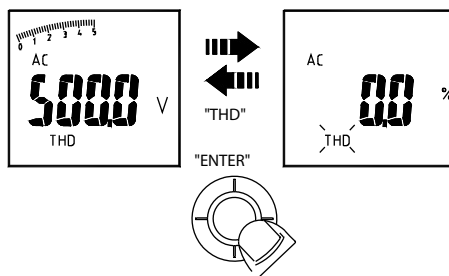


Note :

- Press HOLD key in MAX MIN mode to make the meter stop updating the maximum and minimum value. When the HOLD mode is activated in MAX MIN mode, the HOLD mode must be deactivated before the MAX MIN mode.

THD Measurement (AC mode only)

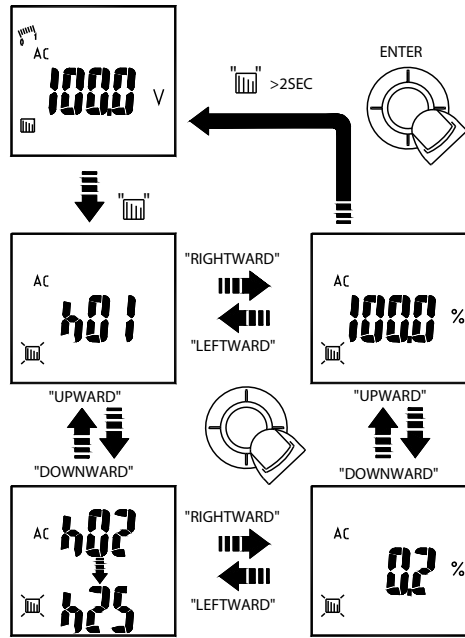
Select the "THD" indicator then press the navigator key to enter the THD mode. $THD-F = \text{RMS of Harmonics} \div \text{RMS of fundamental} \times 100\%$. (harmonics up to the 25th)



Individual Harmonic Measurement (AC mode only)

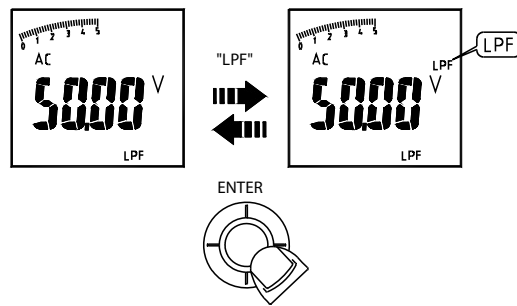
Select the "Hn" indicator then press the navigator key to enter the individual harmonic mode. To quit from the individual harmonic mode, press the navigator key for more than 2 seconds.

$$H_n = \text{RMS of Individual Harmonic} \div \text{RMS of fundamental} \times 100\%$$



LPF (AC mode only)

Select the "LPF" indicator then press the navigator key to eliminate high frequency noise



Note : Peak Hold, Inrush, THD, HZ, individual Harmonic and LPF mode are only available in AC mode.

Measuring Active Power (W) / Power factor (PF)

1. Single Phase Power Measurement

Step1. Set the rotary switch to the "W" position.

Step2. Connect the Red test lead to the Line conductor, and the Black test lead to the Neutral conductor.

Step3. Press the trigger to open the transformer jaws and clamp one conductor only, make sure that the jaw is firmly closed around the conductor.

Step4. Using the Navigator key to choose the "W/PF" mode.

Note :

- The "+" symbol on the jaw must face on the power source side.
- In AutoSense mode, the meter will displays ACW/DCW depends on if there is AC frequency detected.
- ACD-50NAV, ACD-51NAV and ACD-53NAV offer AC power measurement mode only.

Active power sign :

No sign : Indicates the power flows from the power source to the load.

"_" sign : Indicates the power flows from the load to the power source.

Power factor sign :

No sign : The phase of the current signal is lagging behind the voltage signal (inductive load).

"_" sign : The phase of the current signal is leading the voltage signal (capacitive load).

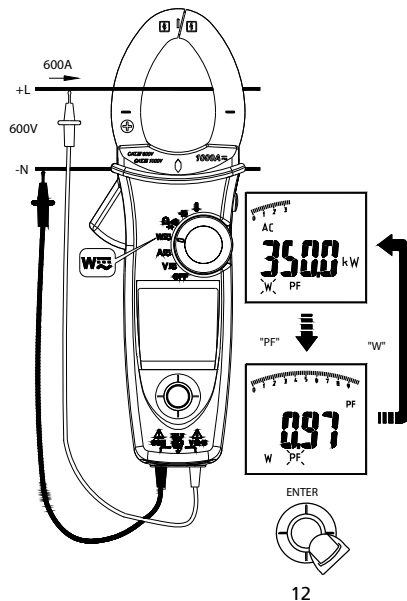
Overrange display :

OL.U : Voltage overload

OL.A : Current overload

OL.UA : Both Voltage and current overload.

± OL kW : Active Power > 1000 kW or < -1000 kW.

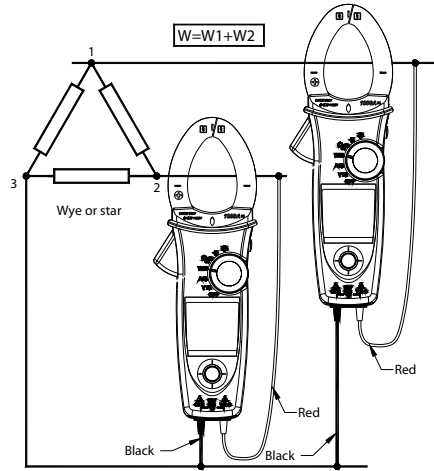


2. Three Phase Power Measurement

A. 3 phase 3 wire balanced / unbalanced

Step 1. Set the rotary switch to the "W" position

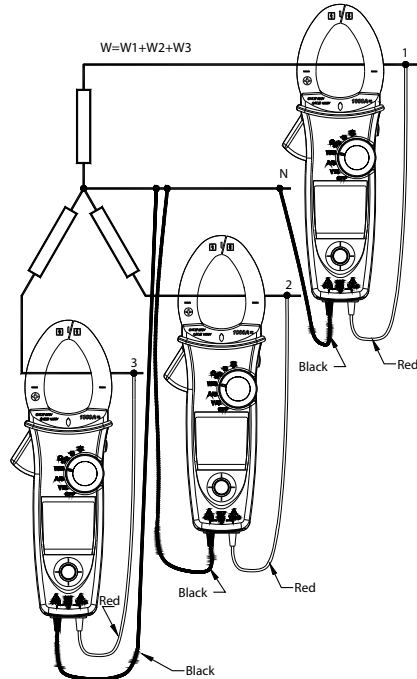
Step 2. Using the Navigator key to choose the "W" mode.



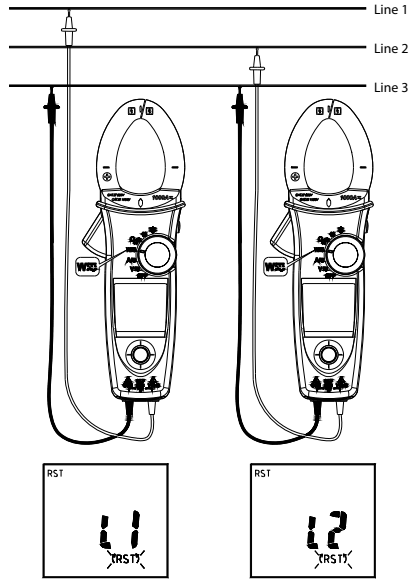
B. 3 phase 4 wire balanced / unbalanced

Step 1. Set the rotary switch to the "W" position

Step 2. Using the Navigator key to choose the "W" mode.



Phase Rotation



Note :

- Connect three phase of power source as shown above.
- The test is only available while the system frequency is stable.

Step 1. Set the rotary switch to the "W" position.

Step 2. Using the Navigator key to choose the "rST" mode

Step 3. Connect the Red test lead and Black test lead to any of the line conductor (e.g. Red test lead to the phase Line 1, and Black test lead phase Line 3).

Note: If the followings occur, the meter will not be able to determine the line phase:

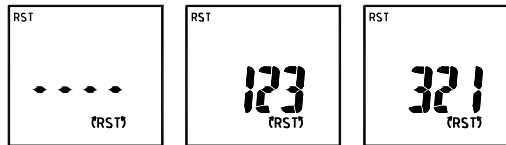
The screen displays "OLU" and blinking: voltage > 1000V

The screen displays "LoU" and blinking: voltage < 30V

The screen displays "outF" and blinking: frequency > 65Hz or < 45Hz

Step 4. When the BUZZER beeps twice, change one of the test lead to another line conductor within 3 seconds

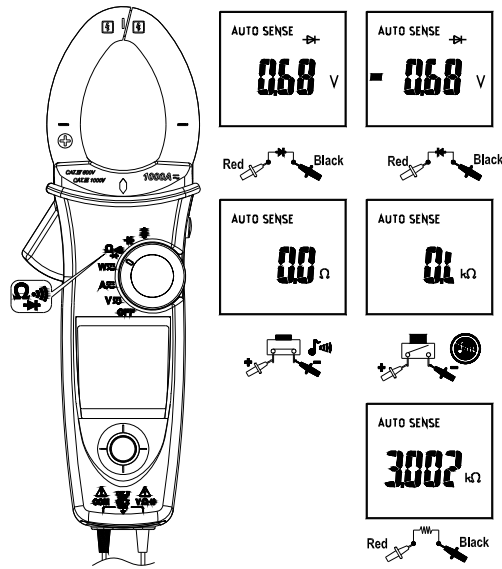
The screen will display the result as below:



- If it displays " 1 2 3 ", then the phase sequence is forward sequence
- If it displays " 3 2 1 ", then the phase sequence is reversed sequence

- c) When displayed “- - -” means it is unable to determine line phases.
 - d) If it displays “LoU”, it is possible that you remove the test leads before the meter completing its testing procedures.
- Step 5.** To repeat the test, using the Navigator key and choose the “TRST” mode again.

OHM Measurement



⚠ CAUTION

To avoid possible damage to the Meter or to the equipment under test, disconnect circuit power and discharge all high-voltage capacitors before measuring resistance and diode.

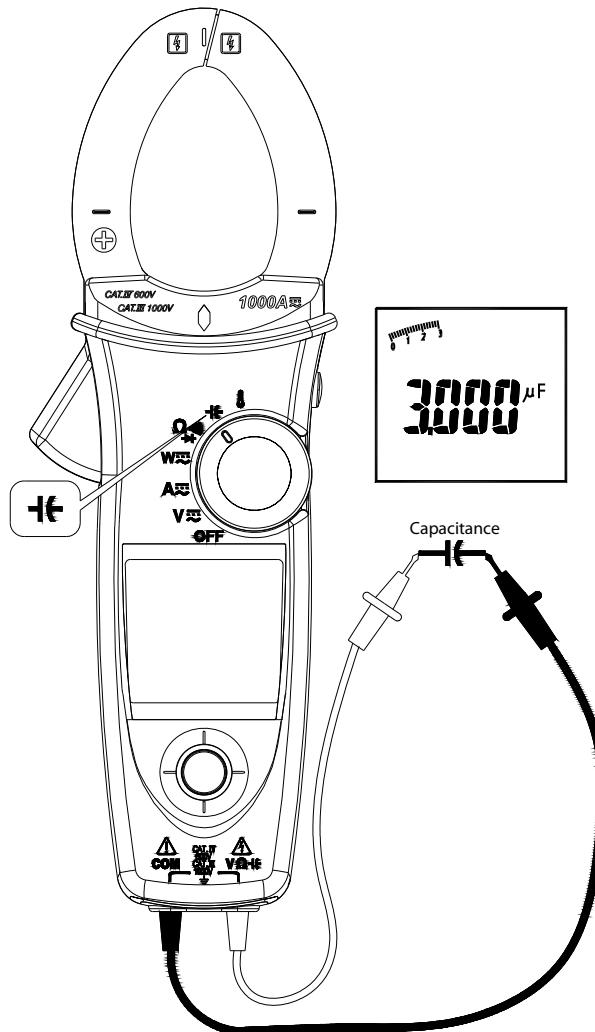
Note:

- Select Ω / $\text{m}\Omega$ / \rightarrow indicator then press the navigator key to enter the Ω / $\text{m}\Omega$ / \rightarrow mode.
- Select Ω / $\text{m}\Omega$ / \rightarrow indicator then press the navigator key for more than 2sec to return to the AUTO SENSE mode.

Note: Under diode mode: when the screen displays “bad” when measuring a diode, the diode may have been damaged.

Measuring Capacitance

Set the rotary switch to the “ C ” position.



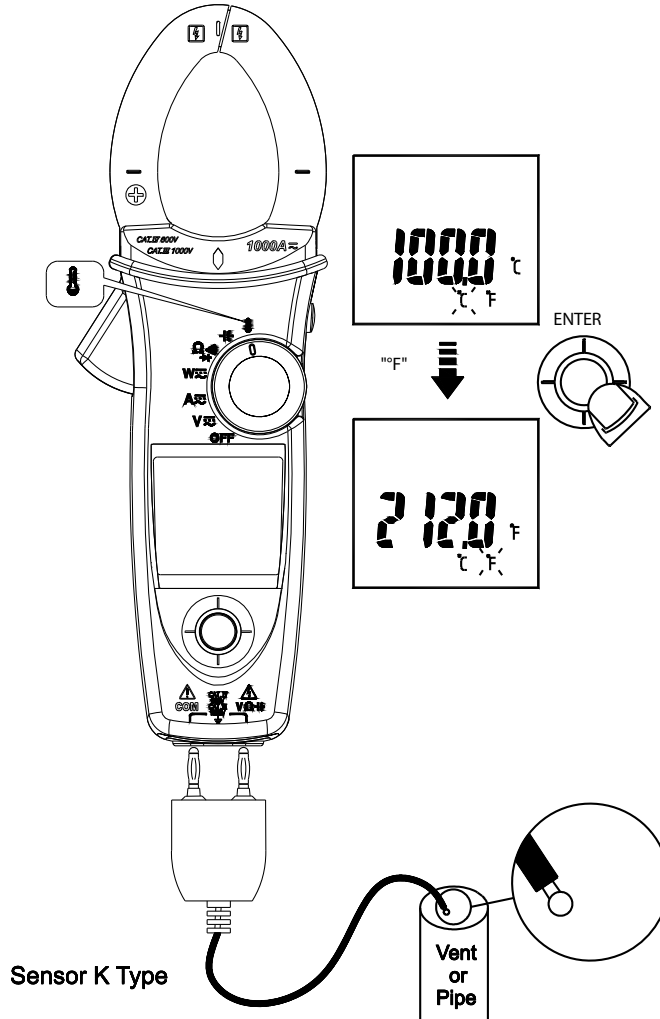
⚠ CAUTION

To avoid possible damage to the meter or to the equipment under test, disconnect circuit power and discharge all high-voltage capacitors before measuring capacitance. Use the DC voltage function to confirm that the capacitor is discharged.

Note: The meter will display “diSC” while discharging the capacitor.

Measuring Temperature °C / °F
(For ACD-51NAV and ACDC-54NAV Only)

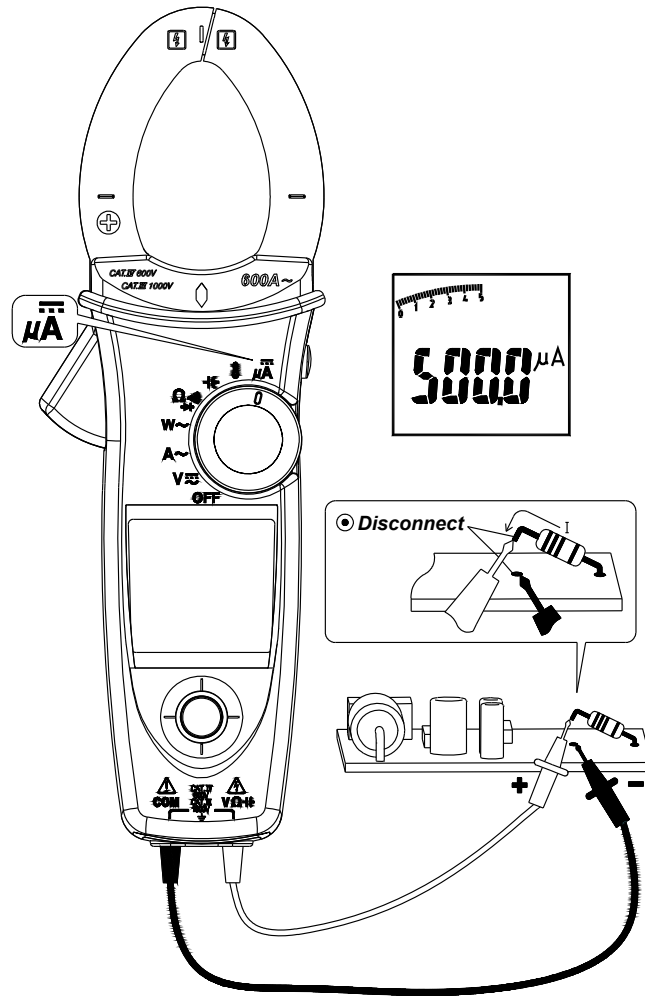
Set the rotary switch to the "1" position.



Don't take any high voltage measurement prior to accurate °C/°F measurements.

Measuring μA Current (For ACD-51NAV Only)

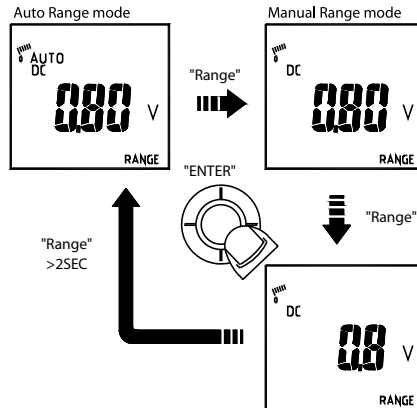
Set the rotary switch to the μA position.



Other Function :

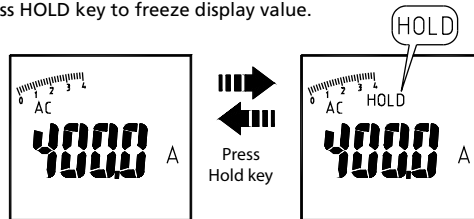
AUTO/MANUAL Range

Select the "RANGE" indicator, then press the navigator key to enter the manual range mode. To return to the auto range mode, press the navigator key for more than 2 seconds.



HOLD Key

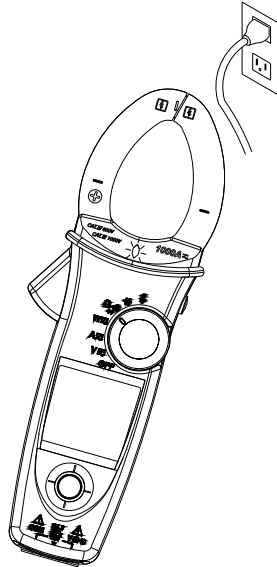
Press HOLD key to freeze display value.



SMART HOLD: The meter will beep continuously and the display will flash if the measured signal is larger than the display reading. (for V.A.W function)

VoltSense

The red diamond shape of LED will illuminate, if there has electric field been detected from the jaw.



Buzzer

The Meter beeps once for every valid key-press, and beeps twice for every invalid key-press.

Power-up options

Press one of the following keys while turning meter on from OFF position.

Upward of Navigator key: Display of the software version.

Downward of Navigator key: Disable auto power off.

Leftward of Navigator key: Disable active backlight.

HOLD KEY: Display all LCD symbols approx 10 seconds.

Battery State display

User can know the battery state from the battery indicator

Batter State	Description
	The battery is fully charged
	The battery is remained 2/3 power
	The battery is remained 1/3 power
	Replace the battery as soon as the low battery indicator appears, to avoid inaccurate reading.

Refer to MAINTENANCE AND REPAIR section for battery replacement.

SPECIFICATIONS


General Specifications

Display count : 10000 or 4000

Measuring rate : 3 times / per second

Overrange display : "OL" or "-OL" .

Auto Power Off : Approx. 15 minutes.

Low battery indicator :  is displayed. Replace the battery when the indicator appears in the display.

Power requirement : 9V battery.

Battery life : ALKALINE 9V 50 hours (without Backlight).

Environmental Conditions

Indoor Use

Calibration: One year calibration cycle.

Operating temperature: 0 °C ~ 10 °C

11 °C ~ 30 °C (≅80% RH)

30 °C ~ 40 °C (≅75% RH)

40 °C ~ 50 °C (≅45%RH)

Storage temperature: -10 to 50 °C for current,
-20 to 60 °C for other function,
0 to 80% RH (batteries not fitted).

Temperature coefficient: 0.2 x (Specified accuracy) / °C, < 18°C, > 28°C .

Over voltage category: CAT IV 600 V, CAT III 1000 V : IEC61010-2-030 and 61010-2-032

CAT	Application field
I	The circuits not connected to mains.
II	The circuits directly connected to Low-voltage installation.
III	The building installation.
IV	The source of the Low-voltage installation.

CENELEC Directives: The instrument conforms to CENELEC Low-voltage directive 2006/95/EC and Electromagnetic compatibility directive 2004/108/EC.

Safety Compliance:

- IEC/EN 61010-1 Ed. 3.0, UL 61010-1(2nd Ed.), CAN/CSA-C22.2 No.61010-1-04 to Measurement Category III 600 V, Pollution Degree 2
- IEC/EN 61010-2-030
- IEC/EN 61010-2-032, CAN/CSA-C22.2 No.61010-2-032-04
- IEC/EN 61010-031 (test leads)

EMC: meets all applicable requirements in IEC/EN 61326-1

Operating altitude: up to 2000m (6562 ft)

Conductor Size:

37mm diameter for ACD-50NAV, ACD-51NAV, ACDC-52NAV

42mm diameter for ACD-53NAV, ACDC-54NAV

Shock vibration: Sinusoidal vibration per MIL-T- 28800E (5 ~ 55 Hz, 3g maximum).

Drop Protection: 4 feet drop to hardwood on concrete floor.

Electrical Specifications

Accuracy is \pm (% reading + number of digits) at 23°C \pm 5°C < 80%RH.

(1) Voltage

ACD-50NAV, ACD-51NAV, ACDC-52NAV, ACD-53NAV, ACDC-54NAV		
Function	Range	Accuracy*
DC V	99.99V	\pm (0.7% + 2dgt)
	999.9V	
AC V	99.99V	\pm (1.0% + 5dgt)
	999.9V	50 ~ 500Hz
LPF	99.99V	50 ~ 60Hz \pm (1% + 5dgt)
	999.9V	61 ~ 400Hz \pm (5% + 5dgt)

* DCV <1000dgt, add 6 dgt to the accuracy. ACV <1000dgt, add 3 dgt to the accuracy.

Overload protection: 1000Vrms

Input Impedance: 3.5M Ω // <100pF

AC Conversion Type: AC Conversions are ac-coupled, true RMS responding, calibrated to the RMS value of a sine wave input. Accuracies are given for sine wave at full scale and nonsine wave below half scale. For non-sine wave (50/60Hz) add the following Crest Factor corrections:

For Crest Factor of 1.4 to 2.0, add 1.0% to accuracy.

For Crest Factor of 2.0 to 2.5, add 2.5% to accuracy.

For Crest Factor of 2.5 to 3.0, add 4.0% to accuracy.

CF 3 @ 460V,460A (for ACD-53NAV, ACDC-54NAV),

280A (for ACD-50NAV, ACD-51NAV, ACDC-52NAV)

2 @ 690V, 690A (for ACD-53NAV, ACDC-54NAV),

420A (for ACD-50NAV, ACD-51NAV, ACDC-52NAV)

AC+DC Vrms Accuracy: same as ACV spec. +DCV spec.

(2) Current

ACD-50NAV, ACD-51NAV, ACD-53NAV		
Function	Range	Accuracy
AC A	99.99A	50 ~ 60Hz \pm (1.5% + 5dgt) **
	599.9A / 999.9A*	61 ~ 400Hz \pm (2% + 5dgt) **
LPF AC A	0.10A ~ 99.99A	50 ~ 60Hz \pm (1.5% + 5dgt) **
	599.9A / 999.9A*	61 ~ 400Hz \pm (5% + 5dgt) **

* ACD-50NAV, ACD-51NAV: 599.9A; ACD-53NAV : 999.9A

** The measured value <1000dgt, add 5 dgt to the accuracy.

ACDC-52NAV, ACDC-54NAV		
Function	Range	Accuracy
DC A	99.99A	± (1.5% + 0.2A)
	599.9A / 999.9A*	± (1.5% + 5dgt) **
AC A	0.10A ~ 99.99A	50 ~ 60Hz ± (1.5% + 5dgt) **
	599.9A / 999.9A*	61 ~ 400Hz ± (2% + 5dgt) **
LPF AC A	0.10A ~ 99.99A	50 ~ 60Hz ± (1.5% + 5dgt) **
	599.9A / 999.9A*	61 ~ 400Hz ± (5% + 5dgt) **

* ACDC-52NAV: 599.9A ; ACDC-54NAV: 999.9A

** The measured value <1000dgt, add 5 dgt to the accuracy.

Overload protection: 1000Arms For ACD-53NAV, ACDC-54NAV
600Arms For ACD-50NAV, ACD-51NAV, ACDC-52NAV

Position Error: ±1% of reading.

AC Conversion Type and additional accuracy is same as AC Voltage.

AC+DC Arms Accuracy: Same as ACA spec + DCA spec.

- For better measurement accuracy of high current, do not measurement more than 10 minutes (for ACD-50NAV, ACD-51NAV, ACD-53NAV)
- DC A affected by the temperature and the residual magnetism.

Press HOLD key > 2 seconds to compensate it.

(3) Peak Hold : Peak MAX / Peak MIN

ACD-50NAV, ACD-51NAV, ACDC-52NAV		
Function	Range	Accuracy
AC V	140.0V	± (3.0% + 15dgt)
	1400V	
AC A	140.0A	± (3.0% + 15dgt)
	850A	

ACD-53NAV, ACDC-54NAV		
Function	Range	Accuracy
AC V	140.0V	± (3.0% + 15dgt)
	1400V	
AC A	140.0A	± (3.0% + 15dgt)
	1400A	

Overload protection: 1000 Vrms

600 Arms For ACD-50NAV, ACD-51NAV, ACDC-52NAV

1000 Arms For ACD-53NAV, ACDC-54NAV

Accuracy defined for:

Sine wave, ACV>5Vrms / ACA≥5Arms, Freq. 50~400Hz.

- Only suitable for the repetitive events.

(4) Frequency

ACD-50NAV, ACD-51NAV, ACDC-52NAV, ACD-53NAV, ACDC-54NAV		
Function	Range	Accuracy
Frequency	20.00 ~ 99.99Hz	± (0.5% + 3dgt)
	20.0 ~ 999.9Hz	
	0.020 ~ 9.999KHz	

Overload protection : 1000 Vrms

600 Arms For ACD-50NAV, ACD-51NAV, ACDC-52NAV

1000 Arms For ACD-53NAV, ACDC-54NAV

Sensitivity :

10~100Vrms for AC 100V range

10~100Arms for AC 100A range (>400Hz Unspecified)

100~1000Vrms for AC 1000V range

100~600/1000Arms for AC 600A/1000A range (>400Hz Unspecified)

- Reading will be 0.0 for signals below 10.0 Hz.

(5) Total Harmonic Distortion:

ACD-50NAV, ACD-51NAV, ACDC-52NAV, ACD-53NAV, ACDC-54NAV		
Function	Range	Accuracy
AC A / AC V	99.9%	± (3.0% + 10dgt)

Harmonic distortion measurement:

ACD-50NAV, ACD-51NAV, ACDC-52NAV, ACD-53NAV, ACDC-54NAV		
Harmonic order	Range	Accuracy
H01 ~ H12	99.9%	± (5% + 10dgt)
H13 ~ H25		± (10% + 10dgt)

Overload protection: 1000 Vrms

600 Arms For ACD-50NAV, ACD-51NAV, ACDC-52NAV

1000 Arms For ACD-53NAV, ACDC-54NAV

- If ACV<10Vrms or ACA <10Arms, it will display "rdy".
- If the fundamental frequency out of range 45 ~ 65Hz, it will display "out.F".

(6) Inrush Current:

ACD-50NAV, ACD-51NAV, ACDC-52NAV, ACD-53NAV, ACDC-54NAV		
Function	Range	Accuracy
AC A	99.99A	± (2.5% + 0.2A)
	599.9A / 999.9A *	± (2.5% + 5dgt)

* ACD-50NAV, ACD-51NAV, ACDC-52NAV: 599.9A

ACD-53NAV, ACDC-54NAV : 999.9A

Overload protection: 1000 Vrms
 600 Arms For ACD-50NAV, ACD-51NAV, ACDC-52NAV
 1000 Arms For ACD-53NAV, ACDC-54NAV

Accuracy defined for:
 Sine wave, ACA \geq 10Arms, Freq. 50/60Hz
 - Integration time about 100m seconds

(7) Active Power : Watt (DC/AC)

ACD-50NAV, ACD-51NAV, ACDC-52NAV, ACD-53NAV, ACDC-54NAV		
Function	Range	Accuracy
AC W / DC W	9.999KW**	A,error \times V,reading+ V,error \times A,reading
	99.99KW	
	599.9KW / 999.9KW*	

* ACD-50NAV, ACD-51NAV, ACDC-52NAV: 599.9KW

ACD-53NAV, ACDC-54NAV: 999.9KW

** The measured value $<$ 1.000kW, add 10 dgt to the accuracy.

Overload protection : 1000 Vrms
 600 Arms For ACD-50NAV, ACD-51NAV, ACDC-52NAV
 1000 Arms For ACD-53NAV, ACDC-54NAV

Accuracy defined for :
 AC W :
 Sine wave , ACV \geq 10 Vrms, ACA \geq 5 Arms
 Freq. 50~60Hz, PF=1.00
 DCW (For ACDC-52NAV, ACDC-54NAV only) :
 DCV \geq 10V, DCA \geq 5 A

(8) Power Factor:

ACD-50NAV, ACD-51NAV, ACDC-52NAV, ACD-53NAV, ACDC-54NAV		
Function	Range	Accuracy*
PF	-1.00 ~ 0.00 ~1.00	$\pm 3^\circ \pm 1$ dgt

* ACA $<$ 100A, add $\pm 2^\circ$ to the accuracy (For ACD-50NAV, ACD-51NAV, ACD-53NAV)

Overload protection : 1000 Vrms
 600 Arms For ACD-50NAV, ACD-51NAV, ACDC-52NAV
 1000 Arms For ACD-53NAV, ACDC-54NAV

(9) Resistance & Continuity & Diode:

ACD-50NAV, ACD-51NAV, ACDC-52NAV, ACD-53NAV, ACDC-54NAV		
Function	Range	Accuracy
Resistance	999.9 Ω	$\pm (1.0\% + 5\text{dgt})$
	9.999 k Ω	$\pm (1.0\% + 3\text{dgt})$
	99.99 k Ω	
Continuity	999.9 Ω	$\pm (1.0\% + 5\text{dgt})$
Diode	0.40 ~ 0.80V	$\pm 0.1V$

Overload protection : 1000Vrms

Max. Test Current : Approx. 0.5mA.

Maximum Open Circuit Voltage for Ω , $\mu\Omega$ Approx. 3V

Maximum Open Circuit Voltage for diode : Approx. $\pm 1.8V$

Continuity check :

Continuity Threshold: <30 ohm Beep On.

<100 ohm Beep Off.

Continuity Indicator : 2 KHz Tone Buzzer

(10) Capacitance:

ACD-50NAV, ACD-51NAV, ACDC-52NAV, ACD-53NAV, ACDC-54NAV		
Function	Range	Accuracy
Capacitance	3.999 μF	$\pm (1.9\% + 8\text{dgt})$
	39.99 μF	
	399.9 μF	
	3999 μF	

Overload protection : 1000Vrms

(11) Temperature :

ACD-51NAV, ACDC-54NAV		
Function	Range	Accuracy
$^{\circ}C$	-50 $^{\circ}C$ ~ 99.9 $^{\circ}C$	$\pm (1\% + 2^{\circ}C)$
	100 $^{\circ}C$ ~ 399.9 $^{\circ}C$	$\pm (1\% + 1^{\circ}C)$
	400 $^{\circ}C$ ~ 1000 $^{\circ}C$	
$^{\circ}F$	-58 $^{\circ}F$ ~ 211.9 $^{\circ}F$	$\pm (1\% + 4^{\circ}F)$
	212.0 $^{\circ}F$ ~ 751.9 $^{\circ}F$	$\pm (1\% + 2^{\circ}F)$
	752 $^{\circ}F$ ~ 1832 $^{\circ}F$	

Overload protection : 1000 Vrms

- The above specification is assumed at the ambient temperature stability within $\pm 1^{\circ}C$. In addition, the temperature probe has to be connected to meter for more than 1 hour before taking measurement.
- The meter needs 2 hours for stability for ambient temperature variation more than $\pm 5^{\circ}C$.

(12) DC μ A :

ACD-51NAV		
Function	Range	Accuracy
DC μ A	999.9 μ ADC	$\pm (1.7\% + 2\text{dgt})^*$

* $<1000\text{dgt}$, add 3 dgt to the accuracy.

Overload protection : 1000 Vrms

MAINTENANCE AND REPAIR

⚠ CAUTION

To avoid electrical shock, disconnect the meter from any circuit, remove the test leads from the input jacks and turn OFF the meter before opening the case. Do not operate with open case. Install only the same type of battery or equivalent

Trouble Shooting

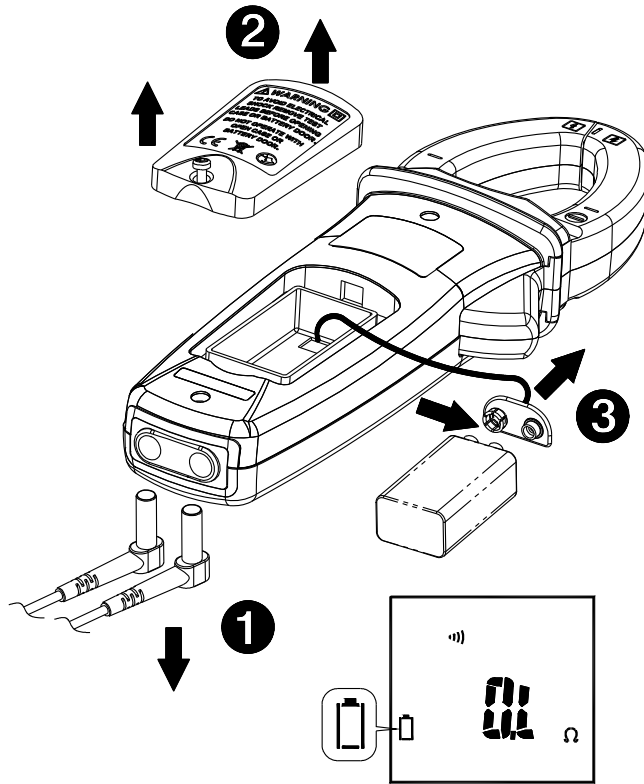
If the instrument fails to operate, check battery, leads, etc., and replace as necessary. Double check operating procedure as described in this user's manual. If the instrument voltage-resistance input terminal has subjected to high voltage transient (caused by lightning or switching surge to the system) by accident or abnormal conditions of operation, the series fusible resistors will be blown off (become high impedance) like fuses to protect the user and the instrument. Most measuring functions through this terminal will then be open circuit. The series fusible resistors and the spark gaps should then be replaced by qualified technician. Refer to the LIMITED WARRANTY section for obtaining warranty or repairing service.

Cleaning and Storage

Periodically wipe the case with a damp cloth and mild detergent; do not use abrasives or solvents. If the meter is not to be used for periods of longer than 60 days, remove the battery and store it separately.

Battery Replacement

1. Remove test leads and turn the Meter OFF.
2. Loosen the screw from the battery access door of the case. Lift the battery access door and thus the battery compartment up.
3. Replace the battery (9V alkaline battery NEDA1604A, JIS6AM6 or IEC6LF22).
4. Put the battery access door back and re-fasten the screw.



⚠ CAUTION

Remove test leads from Meter before opening the battery cover or Meter case.



ACD-50NAV

Pince de navigation 600 A c.a.

ACD-51NAV

Pince de navigation eff. vraie
600 A c.a.

ACDC-52NAV

Pince de navigation eff. vraie
600 A c.a. / c.c.

ACD-53NAV

Pince de navigation eff. vraie
1 000 A c.a.

ACDC-54NAV

Pince de navigation eff. vraie
1 000 A c.a. / c.c.

Français

Mode d'emploi

7/2013, Rév.2
©2013 Amprobe Test Tools.
Tous droits réservés. Imprimé à Taiwan.

Limites de garantie et de responsabilité

Amprobe garantit l'absence de vice de matériau et de fabrication de ce produit pendant une période d'un an à compter de la date d'achat. Cette garantie ne s'applique pas aux fusibles, aux piles jetables ni à tout produit mal utilisé, modifié, contaminé, négligé ou endommagé par accident ou soumis à des conditions anormales d'utilisation et de manipulation. Les revendeurs n'ont pas l'autorisation de prolonger toute autre garantie au nom d'Amprobe. Pour bénéficier de la garantie, renvoyez le produit accompagné d'un justificatif d'achat auprès d'un centre de services agréé par Amprobe Test Tools ou d'un distributeur ou d'un revendeur Amprobe. Voir la section Réparation pour tous les détails. LA PRÉSENTE GARANTIE EST LE SEUL ET EXCLUSIF RECOURS DE L'UTILISATEUR TOUTES AUTRES GARANTIES, EXPLICITES, IMPLICITES OU STATUTAIRE, NOTAMMENT LE CAS ÉCHÉANT, LES GARANTIES DE QUALITÉ MARCHANDE OU D'ADAPTATION À UN OBJECTIF PARTICULIER SONT EXCLUES PAR LES PRÉSENTES. LE FABRICANT NE SERA EN AUCUN CAS TENU RESPONSABLE DE DOMMAGES PARTICULIERS, INDIRECTS, ACCIDENTELS OU CONSÉCUTIFS, NI D'AUCUNS DÉGÂTS OU PERTES DE DONNÉES, SUR UNE BASE CONTRACTUELLE, EXTRA-CONTRACTUELLE OU AUTRE. Etant donné que certaines juridictions n'admettent pas les limitations d'une condition de garantie implicite ou l'exclusion ou la limitation de dégâts accidentels ou consécutifs, il se peut que les limitations et les exclusions de cette garantie ne s'appliquent pas à votre cas.

Réparation

Tous les outils de test renvoyés pour être réparés au titre de la garantie ou pour étalonnage doivent être accompagnés des éléments suivants : nom, raison sociale, adresse, numéro de téléphone et justificatif d'achat. Ajoutez également une brève description du problème ou du service demandé et incluez les cordons de test avec l'appareil. Les frais de remplacement ou de réparation hors garantie doivent être acquittés par chèque, mandat, carte de crédit avec date d'expiration ou par bon de commande payable à l'ordre de Amprobe® Test Tools.

Remplacements et réparations sous garantie – Tous pays

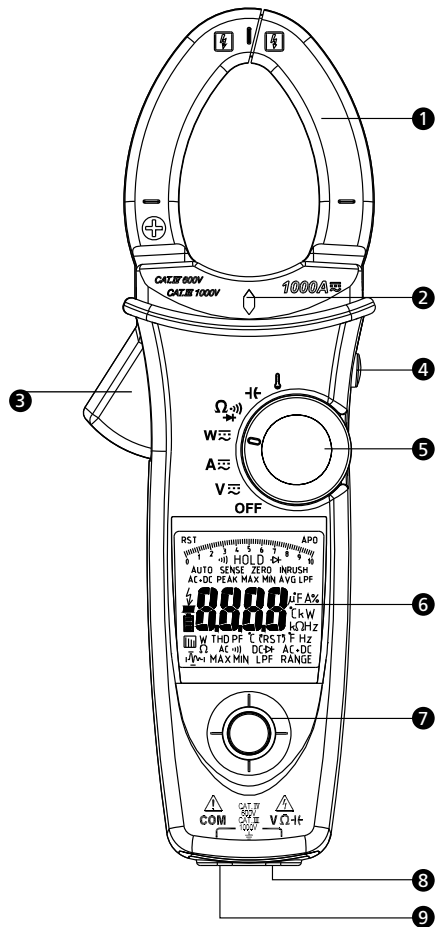
Veillez lire la déclaration de garantie et vérifiez la pile avant de demander une réparation. Pendant la période de garantie, tout outil de test défectueux peut être renvoyé auprès de votre distributeur Amprobe® Test Tools pour être échangé contre un produit identique ou similaire. Consultez la section « Where to Buy » sur le site

appareils sous garantie devant être remplacés ou réparés au Canada et aux États-Unis peuvent également être envoyés dans un centre de services Amprobe® Test Tools (voir les adresses ci-dessous).

Remplacements et réparations hors garantie – Canada et États-Unis

Les appareils à réparer hors garantie au Canada et aux États-Unis doivent être envoyés dans un centre de services Amprobe® Test Tools. Appelez Amprobe® Test Tools ou renseignez-vous auprès de votre lieu d'achat pour connaître les tarifs en vigueur de remplacement ou de réparation.

ACD-50 Série CAT IV Pince de navigation







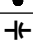

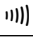
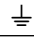









- ① Mâchoire
- ② Voyant de détection VoltSense
- ③ Gâchette
- ④ Touche de maintien / zéro A.c.c.
- ⑤ Sélecteur rotatif
- ⑥ Affichage
- ⑦ Touche de navigation
- ⑧ Entrée V / Ω / $\overline{\text{H}}$
- ⑨ Entrée du commun

TABLE DES MATIÈRES

SYMBOLES	1
DÉBALLAGE ET INSPECTION	2
FONCTIONNALITÉS	2
FONCTIONNEMENT	3
Mesures de base	4
Mesures de tension	5
Mesures de courant	6
Mode de détection automatique (Auto Sense)	7
Maintien de crête (Peak Hold)	7
Courant d'appel (Inrush)	8
Zéro A c.c. (DC A ZERO)	9
Mesure de fréquence (Hz)	9
Min/Moy/Max (MAX/MIN/AVG)	9
Mesure du taux de distorsion harmonique (THD)	10
Faible facteur de puissance (LPF)	11
Mesure de la puissance active (W) / facteur de puissance (PF)	12
Rotation de phases	14
Mesures ohmiques	15
Mesure de capacité	16
Mesure de température °C / °F	17
Mesure du courant μ A	18
Gamme AUTO / manuelle	19
Touche de maintien HOLD	19
Détection de tension VoltSense	20
Avertisseur	20
Option au démarrage	20
Affichage de l'état de pile	20
CARACTÉRISTIQUES	21
ENTRETIEN ET RÉPARATION	27
Dépannage	27
Nettoyage et entreposage	27
Changement des piles	27

SYMBOLES

	Attention ! Risque de décharge électrique.		Attention ! Se reporter aux explications de ce manuel.
	Son application et son retrait à proximité de conducteurs sous tension dangereuses sont autorisés.		Équipements protégés par une isolation double ou renforcée.
	Courant alternatif (c.a.).		Courant continu (c.c.).
	Mesures de température		Mesure de résistance
	Mesure de capacité		Mesure de diode
	Avertisseur de continuité		Prise de terre
	Pour signaler la présence d'une tension potentiellement dangereuse lorsque la pince détecte une tension ≥ 30 V ou une surcharge de tension (OL) en V. Ce symbole apparaît.		Conforme aux directives européennes
	Conforme aux directives de l'association australienne de normalisation		Pile
	Ne pas mettre ce produit au rebut parmi les déchets ménagers. Consulter un centre de recyclage homologué.		

Consignes de sécurité

- Un équipement de protection individuelle doit être utilisé si des composants **SOUS TENSION DANGEREUX** dans l'installation risquent d'être **ACCESSIBLES** là où la mesure doit être effectuée.
- Ce manuel présente les informations et les mises en gardes à respecter pour assurer et maintenir un fonctionnement sans danger de l'instrument. Cet appareil doit être utilisé de la manière spécifiée par le fabricant afin de ne pas entraver la protection intégrée.
- La pince multimètre est destinée à être utilisée à l'intérieur uniquement.
- La protection de la pince multimètre contre les manipulations accidentelles est homologuée à double isolation IEC/EN 61010-1 3rd Ed, Catégorie III 1 000 V c.a. et c.c. et catégorie IV 600 V c.a. et c.c.
- Débrancher les cordons de mesure des points de test avant de changer de fonction sur le sélecteur rotatif.
- Ne jamais brancher une source de tension avec le sélecteur de fonction en position Ω , μA , μA .
- Ne pas exposer la pince multimètre aux températures extrêmes ou à une humidité élevée.
- Ne jamais régler la pince multimètre sur une fonction Ω , μA , μA pour mesurer la tension d'un circuit d'alimentation dans l'équipement susceptible d'endommager la pince multimètre et l'équipement testé.

Catégorie de mesure :

V : Catégorie III 1 000 V c.a. et c.c. et catégorie IV 600 V c.a. et c.c.

A : Catégorie III 1 000 V c.a. et c.c. et catégorie IV 600 V c.a. et c.c.

Selon CEI 61010-1 3e éd. Catégorie de mesure

La **catégorie IV (CAT IV) de mesures** concerne les mesures effectuées au niveau de la source d'installation à basse tension. Il s'agit, par exemple de compteurs électriques et des mesures effectuées sur les dispositifs principaux de protection contre les surintensités et les unités de contrôle des fluctuations.

La **catégorie III (CAT III) de mesures** concerne les mesures effectuées sur les installations dans les bâtiments. Il s'agit, par exemple, des tableaux de dérivation, des coupe-circuits, du câblage, y compris les conducteurs, les barres omnibus, les boîtes de jonction, les commutateurs, les prises murales de l'installation fixe, et le matériel destiné à l'utilisation industrielle, ainsi que certains autres équipements tels que, par exemple, les moteurs fixes connectés en permanence à l'installation fixe.

⚠ AVERTISSEMENT

Pour réduire le risque d'incendie ou d'électrocution, ne pas exposer cet appareil à l'humidité ou à la pluie. Pour éviter les chocs électriques, observer les précautions de sécurité appropriées en intervenant sur des tensions supérieures à 60 V c.c. ou à 30 V c.a. eff. Ces niveaux de tension présentent un risque d'électrocution pour l'utilisateur. Ne pas toucher à l'embout des cordons de mesure ou au circuit testé quand l'électricité est appliquée au circuit mesuré. Pendant la mesure, laisser les doigts derrière les protections des cordons de test. Inspecter les cordons de mesure, les connecteurs

et les sondes pour détecter tout endommagement éventuel de l'isolant ou des parties métalliques exposées avant d'utiliser l'instrument. Remplacer immédiatement l'élément si des défauts sont détectés. N'utiliser que les cordons de mesure accompagnés, ou remplacer par des cordons de calibre équivalent ou supérieur.

DÉBALLAGE ET INSPECTION

Le carton d'emballage doit inclure les éléments suivants :

- 1 pince multimètre de puissance
- 1 paire de cordons de mesure
- 1 sonde et adaptateur de température (ACD-51NAV et ACDC-54NAV uniquement)
- 1 Users Manual
- 1 sacoche de transport
- 1 pile alcaline de 9 V (installée)

Si l'un de ces éléments est endommagé ou manquant, renvoyez le contenu complet de l'emballage au lieu d'achat pour l'échanger.

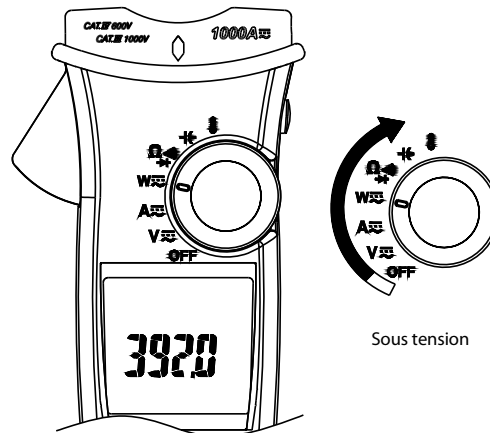
FONCTIONNALITÉS

- Mesure efficace vraie
- Mesures :
 - o Tension jusqu'à 1 000 V c.a./c.c., résistance, fréquence, taux de distorsion harmonique (THD) et taux individuel d'harmonique de 1 à 25, puissance, facteur de puissance

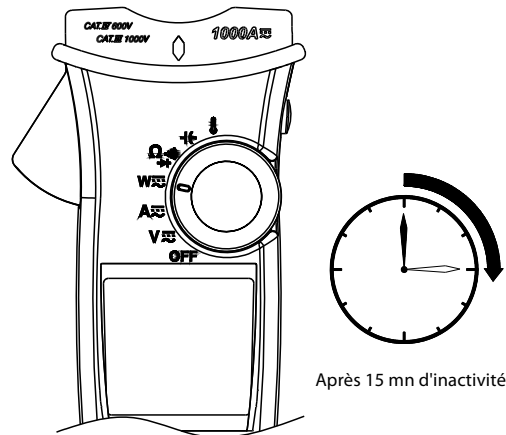
- o Courant c.a.
 - Jusqu'à 600 A (ACD-50NAV, ACD-51NAV, ACDC-52NAV)
 - Jusqu'à 1 000 A (ACD-53NAV, ACDC-54NAV)
- o Courant continu
 - Jusqu'à 600 A (ACDC-52NAV)
 - Jusqu'à 1 000 A (ACDC-54NAV)
- o Capacité
- o Mesure de température en °C / °F (ACD-51NAV, ACDC-54NAV uniquement) - Sonde et adaptateur de température inclus
- o Microampères c.c. (ACD-51NAV uniquement)
- Indication de rotation des phases
- Détection de tension sans contact
- Mesure de courant d'appel pour les moteurs
- Filtre passe-bas pour les variateurs de vitesse
- Avertisseur de continuité
- Maintien des données minimum, maximum et intelligent
- Maintien de crête
- Lampe-torche automatique en travaillant avec la pince
- Grand afficheur de 10 000 comptes avec rétroéclairage actif et graphique à barres analogiques
- Mise en veille automatique
- Mâchoire à 45 mm (1,77 po) d'ouverture maximum
- Résiste aux chutes d'une hauteur de 1,20 mètres (4 pieds)
- Mallette de transport de luxe incluse
- Norme de sécurité CAT IV 600 V/CAT III 1 000 V

FONCTIONNEMENT

Marche/arrêt



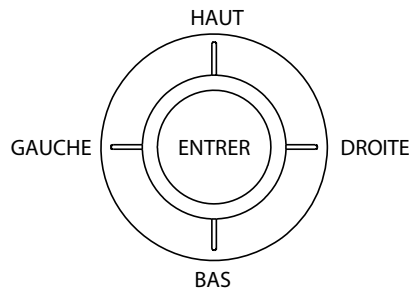
Arrêt automatique



L'appareil peut fonctionner de nouveau par mise sous tension depuis la position OFF.

Désactiver la mise en veille automatique (APO) : Appuyez sur la touche de navigation « vers le bas » tout en ajustant la pince multimètre depuis la position OFF.

Touche de navigation



La touche de navigation offre 5 sens de commutation sur l'affichage ; basculer la touche de navigation pour sélectionner la fonction souhaitée et activer la fonction d'un simple clic.

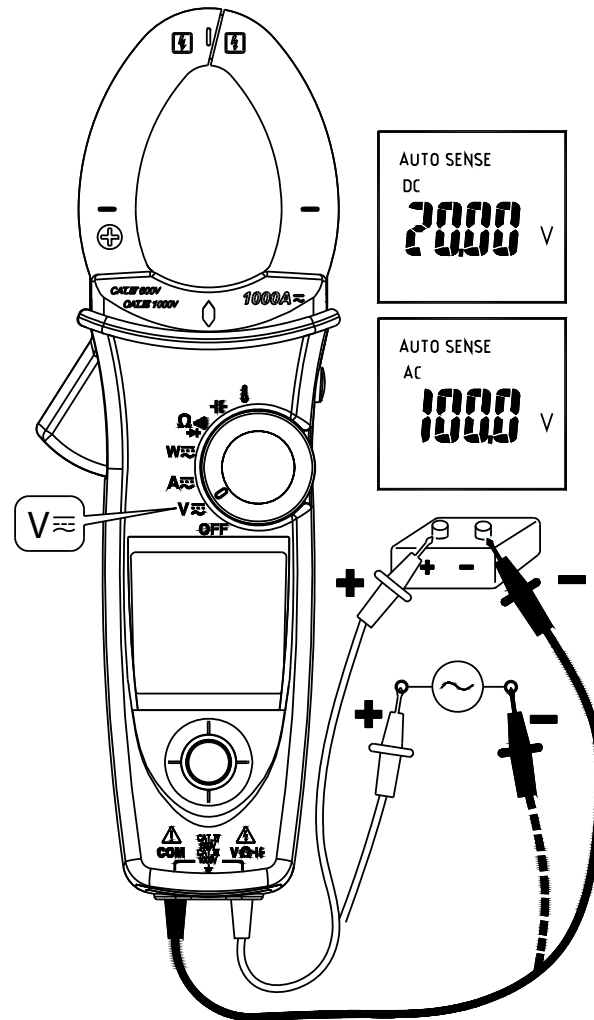
Mesures de base

⚠ ATTENTION

Avant et après les mesures de tensions dangereuses, tester la fonction de tension sur une source connue, une tension secteur p. ex., pour déterminer le bon fonctionnement du multimètre.

En établissant les branchements des cordons de mesure aux équipements testés, connecter le commun du cordon de mesure avant la polarité au potentiel ; pour déconnecter les cordons de mesure, commencer par celui au potentiel.

Mesures de tension

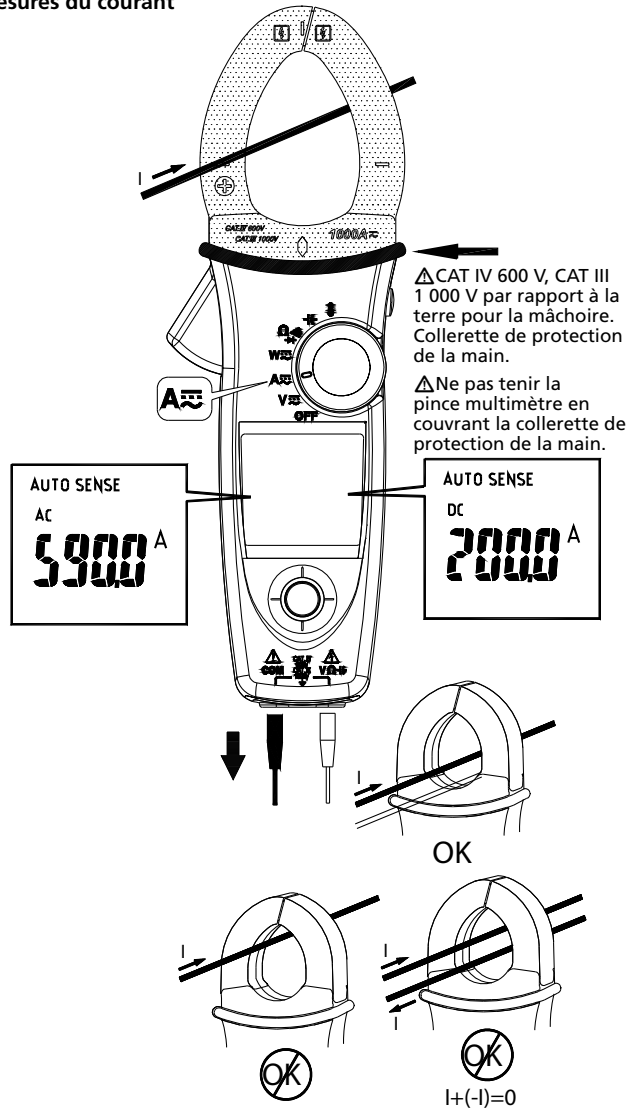


⚠ AVERTISSEMENT

Pour éviter les chocs électriques, les dangers ou l'endommagement de la pince multimètre, ne pas tenter de mesurer une tension au-delà de 1 000 V c.c. ou c.a. eff. Ne pas appliquer plus de 1 000 V c.c. ou c.a. eff. aux bornes d'entrée.

Remarque : si la tension mesurée est plus élevée que 30 V c.c. ou c.a. eff., l'affichage indique le symbole « ⚡ ».

Mesures du courant



- Ne serrez pas un conducteur à l'aide de la pince pendant la mise sous tension de la pince.
- Les modèles ACD-50NAV, ACD-51NAV or ACD-53NAV n'ont qu'un mode de mesure de courant alternatif.
- Lampe-torche automatique en travaillant avec la pince.

△ ATTENTION

Ne pas mesurer le courant de la mâchoire de la pince lorsque la sonde de température est reliée à la pince.

Mode de détection automatique (AUTO SENSE) :

Affiche le résultat de la mesure si c.a. uniquement avec valeur efficace ou si valeur c.c. selon la valeur la plus grande.

Mode AC : c.a. uniquement avec valeur eff.

Mode DC : valeur c.c.

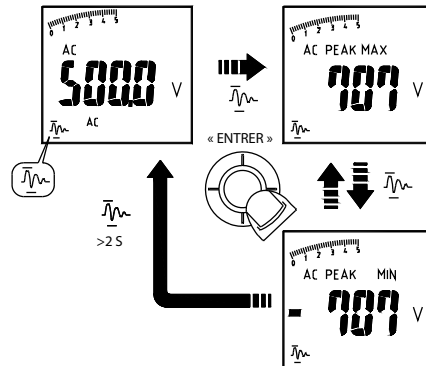
Mode AC+DC : valeur c.a.+ c.c. eff.

Remarque :

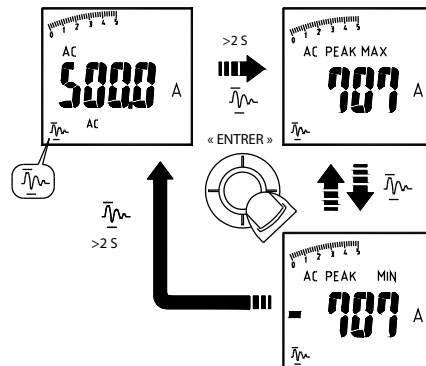
- Sélectionnez l'indicateur « AC », « DC » ou « AC+DC » et appuyez sur la touche de navigation pour passer en mode AC/DC/AC+DC.
- Sélectionnez l'indicateur « AC », « DC » ou « AC+DC » et appuyez sur la touche de navigation pendant plus de 2 secondes pour revenir en mode AUTO SENSE.

Maintien de crête (PEAK HOLD) $\overline{\text{V}}$ (mode AC uniquement)

1. En mode ACV, sélectionnez l'indicateur « $\overline{\text{V}}$ » sur l'affichage pour passer en mode PEAK HOLD. Pour quitter le mode PEAK HOLD, appuyez sur la touche de navigation pendant plus de 2 secondes.



2. En mode AC A, sélectionnez l'indicateur « $\overline{\text{A}}$ », puis appuyez sur la touche de navigation pendant plus de 2 secondes pour passer en mode PEAK HOLD. Pour quitter le mode PEAK HOLD, appuyez sur la touche de navigation pendant plus de 2 secondes pour revenir à l'indicateur « $\overline{\text{A}}$ ».

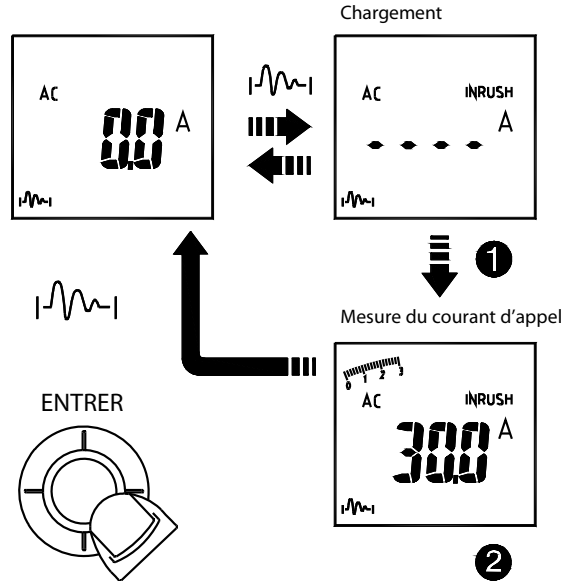
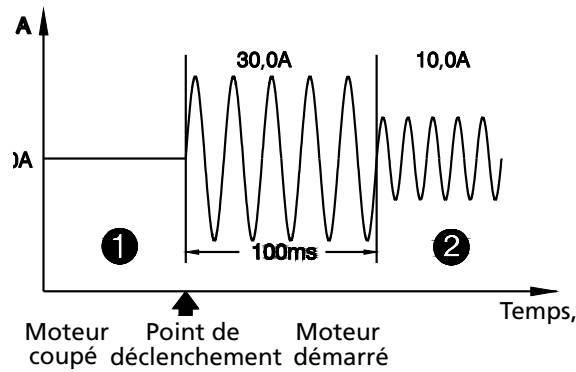


En mode PEAK HOLD, la pince multimètre est activée pour enregistrer les valeurs crête positive et négative. La valeur crête positive est affichée en mode PEAK MAX. La valeur crête négative est affichée en mode PEAK MIN.

Courant d'appel (inrush) I_{inrush} : (mode AC uniquement)

Si le courant d'appel testé est susceptible d'être supérieur à 100 A c.a., sélectionnez la gamme à l'avance 600 A/1 000 A avant l'activation du courant d'appel.

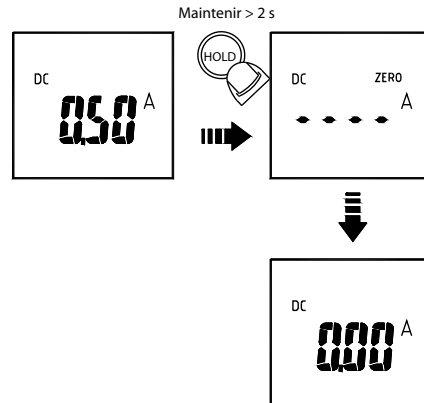
En mode ACA, sélectionnez l'indicateur « I_{inrush} » sur l'affichage pour passer en mode de courant d'appel (Inrush). Pour quitter le mode de courant d'appel, appuyez à nouveau sur la touche de navigation.



Zéro A c.c. (DC A ZERO) (ACDC-52NAV, ACDC-54NAV uniquement)

Retirez la mâchoire du conducteur.

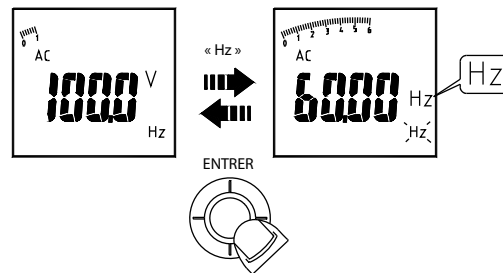
Appuyez sur la touche HOLD pendant > 2 secondes pour compenser le magnétisme résiduel.



- Le zéro A c.c. n'est disponible qu'en modes Auto Sense, DC et AC+DC.

Mesures de fréquence (mode AC uniquement)

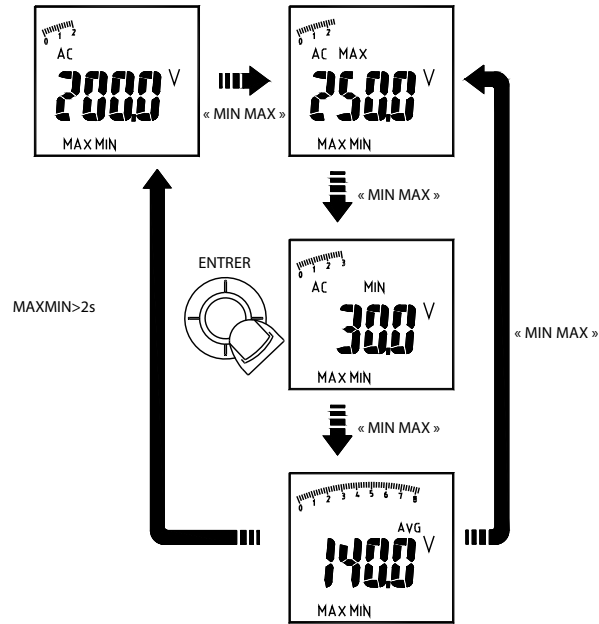
Sélectionnez l'indicateur « Hz », puis appuyez sur la touche de navigation pour entrer/quitter le mode de mesure de fréquence.



Min/Moy/Max (MAX/MIN/AVG)

Sélectionnez l'indicateur « MAX MIN » et appuyez sur la touche de navigation pour passer en mode MAX/MIN/AVG. Pour quitter le mode MAX/MIN/AVG, appuyez sur la touche de navigation pendant plus de 2 secondes.

Le mode MAX/MIN/AVG enregistre les valeurs d'entrée minimum et maximum. Lorsque la valeur d'entrée tombe en dessous de la valeur minimale ou au-dessus de la valeur maximale enregistrée, la pince multimètre enregistre la nouvelle valeur. Le mode MAX/MIN/AVG peut également calculer la moyenne (AVG) de la valeur maximum et de la valeur minimum.

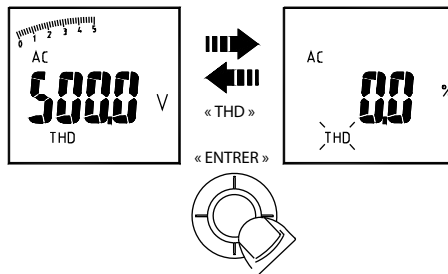


Remarque :


- Appuyez sur la touche HOLD en mode MAX MIN pour arrêter la mise à jour de la valeur maximum et minimum par la pince. Lorsque le mode HOLD est activé en mode MAX MIN, le mode HOLD doit être désactivé avant le mode MAX MIN.

Mesure du taux de distorsion harmonique (THD) (mode AC uniquement)

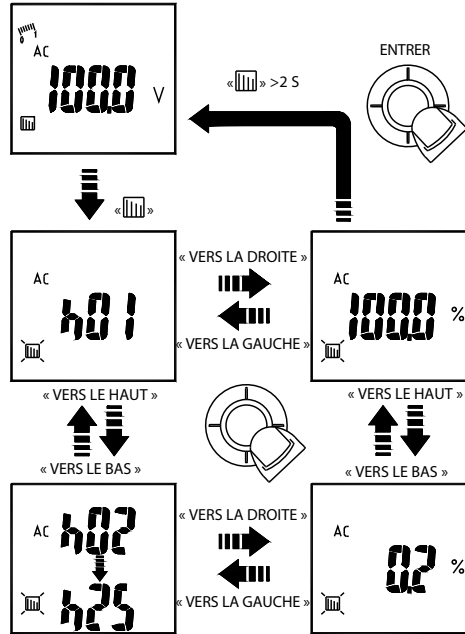
Sélectionnez l'indicateur « THD », puis appuyez sur la touche de navigation pour passer en mode THD. THD-F = valeur efficace des harmoniques ÷ valeur efficace du fondamental × 100 % (harmonique jusqu'au 25e rang)



Mesure du taux individuel d'harmonique (mode AC uniquement)

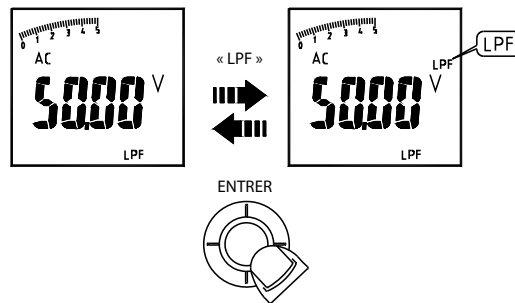
Sélectionnez l'indicateur «  », puis appuyez sur la touche de navigation pour passer en mode du taux individuel d'harmonique. Pour quitter le mode du taux individuel d'harmonique, appuyez sur la touche de navigation pendant plus de 2 secondes.

$H_n = \text{valeur efficace de l'harmonique} \div \text{valeur efficace du fondamental} \times 100 \%$



Faible facteur de puissance (LPF) (mode AC uniquement)

Sélectionnez l'indicateur « LPF », puis appuyez sur la touche de navigation pour éliminer le bruit haute fréquence



Remarque : Les modes de maintien de crête (Peak Hold), de courant d'appel (Inrush), du taux de distorsion harmonique (THD), de fréquence (HZ), du taux individuel d'harmonique et du faible facteur de puissance (LPF) ne sont accessibles qu'en mode AC.

Mesure de la puissance active (W) / facteur de puissance (PF)

1. Mesure de puissance en monophasé

Étape 1. Réglez le sélecteur rotatif sur la position « W ».

Étape 2. Reliez le cordon de mesure rouge au conducteur LINE, et le cordon de mesure noir au conducteur neutre.

Étape 4. Appuyez sur la gâchette pour ouvrir les mâchoires du transformateur et agripper un conducteur ; vérifiez que la mâchoire enserre bien le conducteur.

Étape 4. A l'aide de la touche de navigation, choisissez le mode « W/PF ».

Remarque :

- Le symbole « + » sur la mâchoire doit être orienté vers la source d'alimentation.
- En mode AutoSense, la pince multimètre affiche ACW/DCW selon qu'une fréquence de courant alternatif est détectée.
- Les modèles ACD-50NAV, ACD-51NAV et ACD-53NAV n'offrent que le mode de mesure en courant alternatif.

Signe d'alimentation actif :

Aucun signe : Indique que le courant circule depuis la source d'alimentation vers la charge.

Signe « _ » : Indique que le courant circule depuis la charge vers la source d'alimentation.

Signe du facteur de puissance :

Aucun signe : La phase du signal de courant est en retard sur le signal de tension (charge inductive).

Signe « _ » : La phase du signal de courant est en avance sur le signal de tension (charge capacitive).

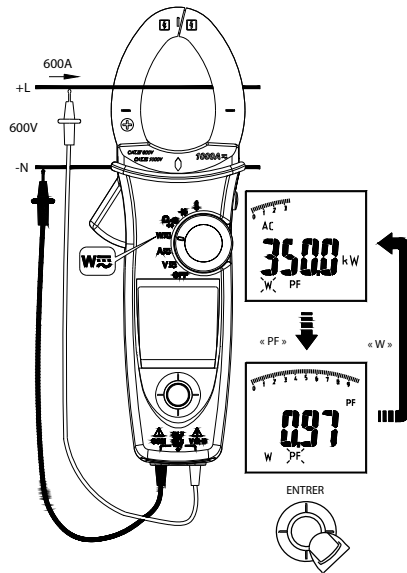
Affichage des dépassements de calibre :

OL.U : Surcharge de tension :

OL.A : Surcharge de courant :

OL.UA : Surcharge de tension et de courant.

± OL kW : Puissance active > 1 000 kW ou < -1 000 kW.

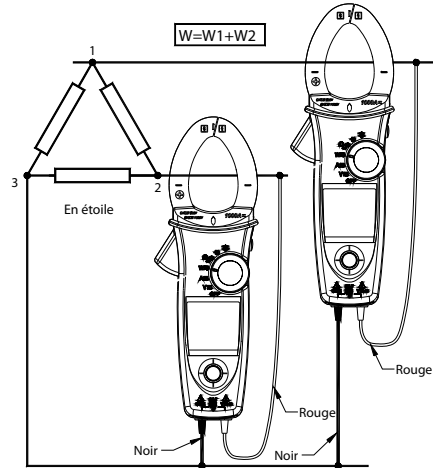


2. Mesure de puissance en triphasé

A. 3 phases 3 fils équilibré / déséquilibré.

Étape 1. Réglez le sélecteur rotatif sur la position « W ».

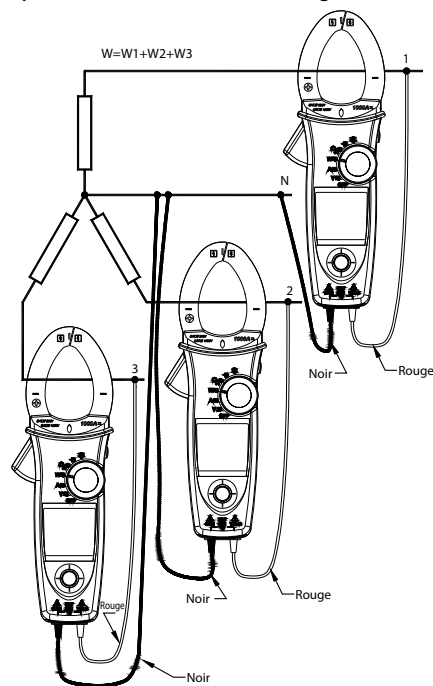
Étape 2. À l'aide de la touche de navigation choisissez le mode « W ».



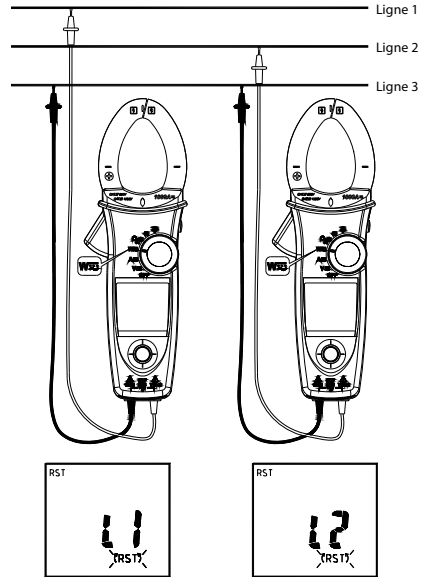
B. 3 phases 3 fils équilibré / déséquilibré.

Étape 1. Réglez le sélecteur rotatif sur la position « W ».

Étape 2. À l'aide de la touche de navigation choisissez le mode « W ».



Rotation de phase



Remarque :

- Reliez les trois phases de la source d'alimentation, conformément à l'exemple ci-dessus.
- Le test n'est possible que si la fréquence du système est stable.

Étape 1. Réglez le sélecteur rotatif sur la position « W ».

Étape 2. À l'aide de la touche de navigation choisissez le mode « RST ».

Étape 3. Reliez le cordon de mesure rouge et le cordon de mesure noir à l'un des conducteurs de ligne (p. ex., cordon de mesure rouge à ligne de phase 1, et cordon de mesure noir à ligne de phase 3).

Remarque : Si l'événement suivant se produit, la pince multimètre ne peut pas déterminer la phase de ligne :

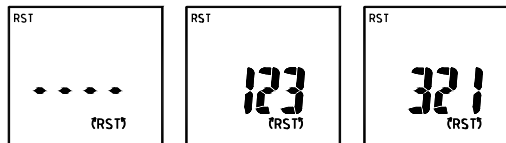
L'écran affiche « OLU » et clignote : tension > 1 000 V

L'écran affiche « LoU » et clignote : tension < 30 V

L'écran affiche « outF » et clignote : fréquence > 65 Hz ou < 45 Hz

Étape 4. Lorsque l'avertisseur (BUZZER) retentit deux fois, reliez l'un des cordons de mesure sur un autre conducteur de ligne dans les 3 secondes.

L'écran affiche alors le résultat de la façon suivante :



a) S'il affiche « 1 2 3 », la séquence de phase est progressive.

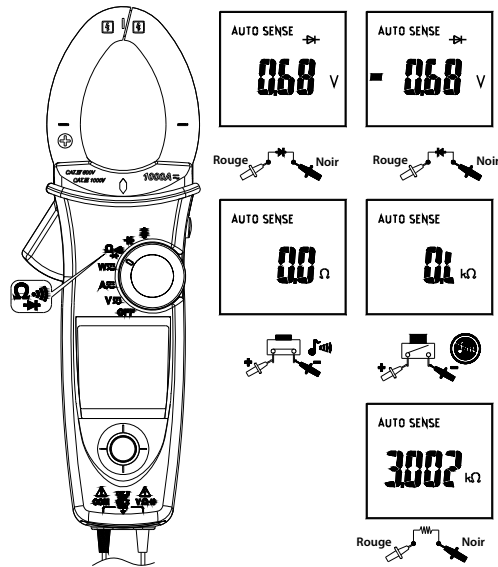
b) S'il affiche « 3 2 1 », la séquence de phase est régressive.

c) S'il affiche « - - - - », c'est qu'il ne parvient pas à déterminer les phases de ligne.

d) S'il affiche « LoU », vous avez peut-être débranché les cordons de mesure avant la fin des procédures de test par la pince.

Étape 5. Pour répéter le test en utilisant la touche de navigation, choisissez de nouveau le mode « RST ».

Mesures ohmiques



⚠ ATTENTION

Pour ne pas endommager la pince multimètre ou l'équipement testé, débrancher l'alimentation du circuit et décharger tous les condensateurs à tension élevée avant de mesurer la résistance et les diodes.

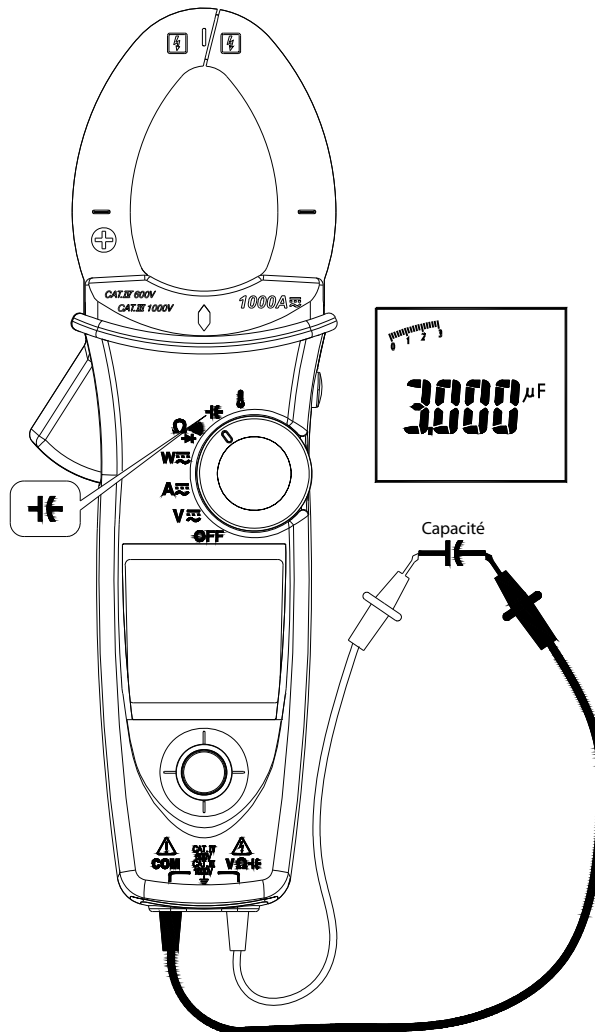
Remarque :

- Sélectionnez l'indicateur Ω / $\text{m}\Omega$ / \rightarrow et appuyez sur la touche de navigation pour passer en mode Ω / $\text{m}\Omega$ / \rightarrow .
- Sélectionnez l'indicateur Ω / $\text{m}\Omega$ / \rightarrow et appuyez sur la touche de navigation pendant plus de 2 secondes pour revenir en mode AUTO SENSE.

Remarque : En mode Diode : si l'écran indique « bad » (incorrect) lors d'une mesure de diode, la diode est probablement endommagée.

Mesure de capacité

Réglez le sélecteur rotatif sur la position « C ».




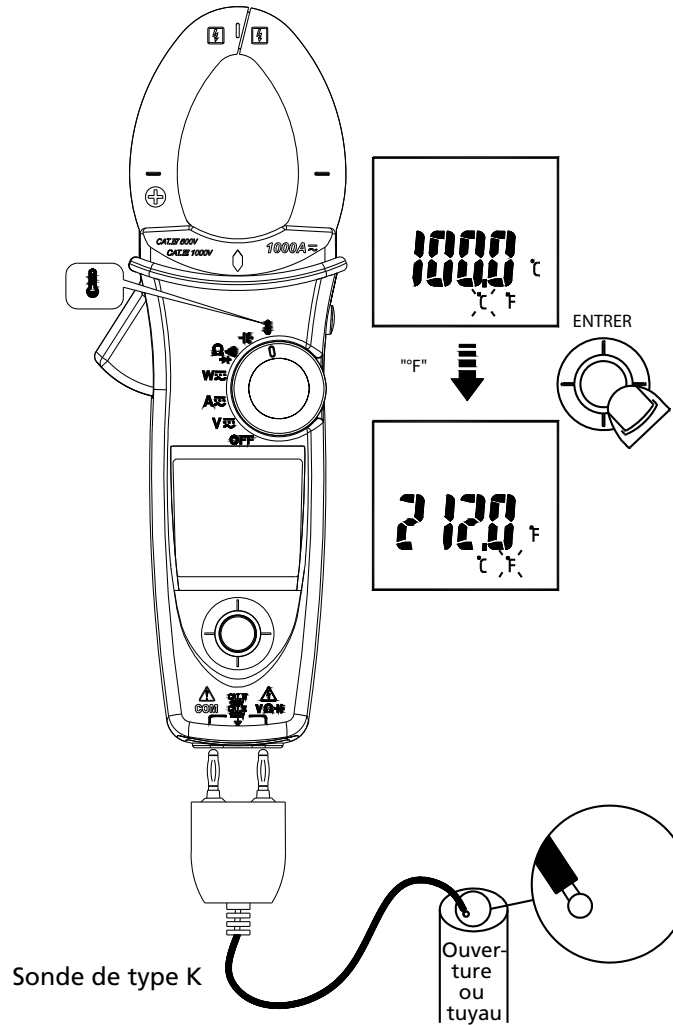
⚠ ATTENTION

Pour ne pas endommager la pince multimètre ou l'équipement testé, débrancher l'alimentation du circuit et décharger tous les condensateurs à tension élevée avant de mesurer la capacité. Utilisez la fonction de tension continue pour confirmer la décharge du condensateur.

Remarque : La pince multimètre affiche « diSC » pendant la décharge du condensateur.

Mesure de la température °C / °F
(ACD-51NAV et ACDC-54NAV uniquement)

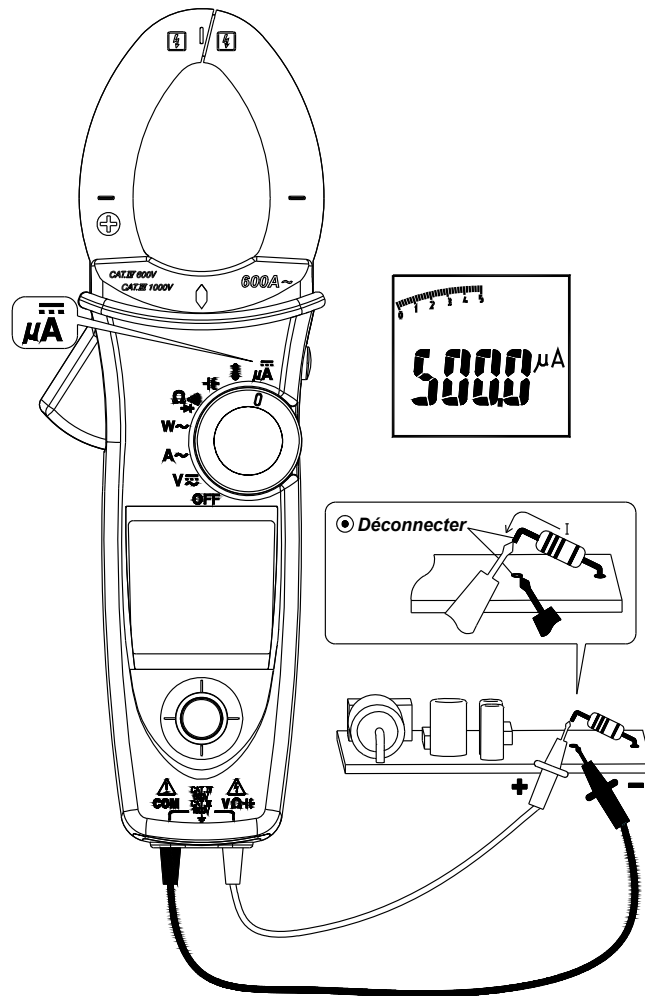
Réglez le sélecteur rotatif sur la position «  ».



Ne mesurez pas de tension élevée avant d'avoir obtenu des mesures °C/°F précises.

Mesure du courant μA (ACD-51NAV uniquement)

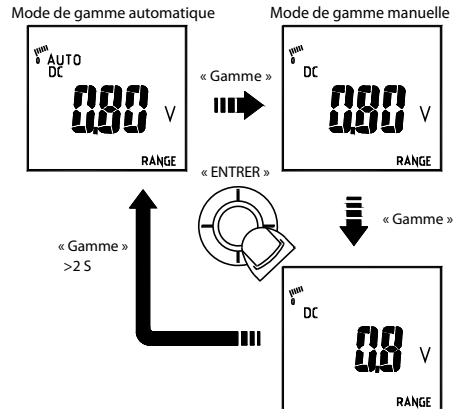
Réglez le sélecteur rotatif sur la position μA .



Autre fonction :

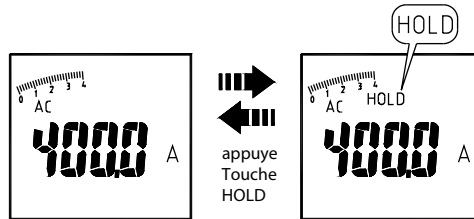
Gamme AUTO / manuelle

Sélectionnez l'indicateur « RANGE », puis appuyez sur la touche de navigation pour passer en mode de gamme manuelle. Pour revenir en mode de gamme automatique, appuyez sur la touche de navigation pendant plus de 2 secondes.



Touche de maintien HOLD

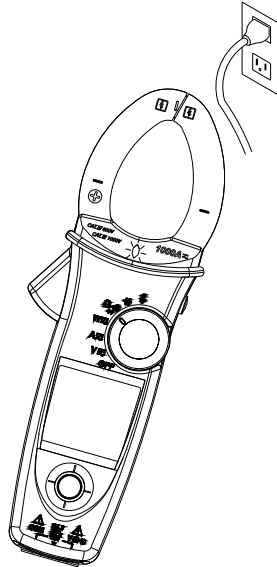
Appuyez sur la touche HOLD pour geler la valeur affichée.



Maintien intelligent : La pince multimètre émet un bip continu et l'affichage clignote si le signal mesuré est supérieur à la valeur affichée. (pour la fonction V.A.W)

Détection de tension VoltSense

Le losange à voyant rouge s'allume si un champ électrique a été détecté de la mâchoire.



Avertisseur

La pince multimètre émet un bip à chaque pression de touche valide et deux bips à chaque pression de touche non valide.

Options au démarrage

Appuyez sur l'une des touches suivantes en mettant la pince multimètre sous tension depuis la position OFF.

Vers le haut de la touche de navigation : Affichage de la version logicielle.

Vers le bas de la touche de navigation : Désactiver l'arrêt automatique.

Vers la gauche de la touche de navigation : Désactiver le rétroéclairage actif.

Touche de maintien HOLD : Affiche tous les symboles LCD pendant environ 10 secondes.

Affiche l'état de la pile

L'utilisateur connaît l'état de la pile grâce au témoin de celle-ci

État de la pile	Description
	La pile est à pleine charge
	Il reste 2/3 d'autonomie à la pile
	Il reste 1/3 d'autonomie à la pile
	Remplacer la pile dès que le témoin de pile faible apparaît pour éviter les mesures erronées.

Reportez-vous à la section ENTRETIEN ET RÉPARATION pour le changement de pile.

CARACTÉRISTIQUES


Caractéristiques générales

Affichage du compte : 10 000 ou 4 000

Fréquence de mesure : 3 fois par seconde.

Affichage des dépassements de calibre : « OL » ou « -OL ».

Mise en veille automatique : environ 15 minutes.

Témoin de pile faible :  est affiché. Remplacez la pile lorsque le témoin apparaît à l'écran.

Alimentation : pile 9 V.

Durée de vie de pile : ALCALINE 9 V 50 heures (sans rétroéclairage).

Conditions ambiantes

Utilisation à l'intérieur des locaux

Étalonnage : Cycle d'étalonnage d'un an.

Température de fonctionnement : -0 °C à 10 °C

11 °C à 30 °C (≅ 80 % HR)

30 °C à 40 °C (≅ 75 % HR)

40 °C à 50°C (≅ 45 % HR)

Température d'entreposage : -10 % à 50 °C pour la gamme de courant,
-20 à 60 °C pour d'autres fonctions,
0 à 80 % HR (pile non installée).

Coefficient thermique : 0,2 x (précision spécifiée) / °C, < 18 °C, > 28 °C.

Catégorie de surtension : CAT IV 600 V, CAT III 1000 V

CAT	Champ d'application
I	Les circuits ne sont pas reliés à l'alimentation secteur
II	Les circuits sont directement reliés à l'installation à basse tension.
III	L'installation du bâtiment.
IV	La source d'installation à basse tension.

Directives CENELEC : Cet instrument est conforme à la directive CENELEC 2006/95/CE sur les basses tensions, et à la directive 2004/108/CE sur la compatibilité électromagnétique.

Conformité de sécurité :

- IEC/EN 61010-1 Ed. 3.0, UL 61010-1(2nd Ed.), CAN/CSA-C22.2 No.61010-1-04 pour mesures de catégorie III 600 V, degré de pollution 2
- IEC/EN 61010-2-030
- IEC/EN 61010-2-032, CAN/CSA-C22.2 No.61010-2-032-04
- IEC/EN 61010-031 (connexions d'essai)

CEM: conforme à toutes les exigences applicables définies par IEC/EN 61326-1

Altitude de fonctionnement : jusqu'à 2 000 m (6 562 pieds)

Taille de conducteur :

37 mm de diamètre pour les modèles ACD-50NAV, ACD-51NAV, ACDC-52NAV
42 mm de diamètre pour les modèles ACD-53NAV, ACDC-54NAV

Résistance aux chocs/vibrations : Vibration sinusoïdale selon MIL-T-28800E (5 à 55 Hz, 3 g maximum).

Protection contre les chutes : Chute à 1,20 mètres sur sol en béton ou parquet

Caractéristiques électriques

La précision est sous la forme \pm (% du résultat + nombre de chiffres) à 23 °C \pm 5 °C < 80 % HR.

(1) Tension

ACD-50NAV, ACD-51NAV, ACDC-52NAV, ACD-53NAV, ACDC-54NAV		
Fonction	Gamme	Précision*
DC V	99,99 V	\pm (0,7 % + 2 chiffres)
	999,9 V	
AC V	99,99 V	1,0 % + 4 c (50 Hz à 500 Hz)
	999,9 V	
LPF	99,99 V	50 à 60 Hz \pm (1 % + 5 chiffres)
	999,9 V	61 à 400 Hz \pm (5 % + 5 chiffres)

* Pour V c.c. (DCV) < 1 000 chiffres, ajouter 6 chiffres à la précision. Pour V c.a. (ACV) < 1 000 chiffres, ajouter 6 chiffres à la précision.

Protection contre les surcharges : 1 000 V eff.

Impédance d'entrée : 3,5 M Ω // <100 pF

Type de conversion c.a. : Les conversions c.a. sont à liaison en courant alternatif, à valeur efficace vraie, et étalonnées sur la valeur efficace d'un signal d'entrée sinusoïdal. Les précisions sont données pour un signal sinusoïdal à pleine échelle et un signal non sinusoïdal sous la demi-échelle. Pour une onde non sinusoïdale (50/60 Hz) ajouter les corrections suivantes au facteur de crête :

Pour un facteur de crête de 1,4 à 2,0, ajouter 1,0 % à la précision.

Pour un facteur de crête de 2,0 à 2,5, ajouter 2,5 % à la précision.

Pour un facteur de crête de 2,5 à 3,0, ajouter 4,0 % à la précision.

CF 3 à 460 V, 460 A (pour ACD-53NAV, ACDC-54NAV),

280 A (pour ACD-50NAV, ACD-51NAV, ACDC-52NAV)

2 à 690 V, 690 A (pour ACD-53NAV, ACDC-54NAV),

420 A (pour ACD-50NAV, ACD-51NAV, ACDC-52NAV)

Précision Veff c.a. + c.c. : identique à la caractéristique V c.a. caractéristique +V c.c.

(2) Courant

ACD-50NAV, ACD-51NAV, ACD-53NAV		
Fonction	Gamme	Précision
AC A	99,99 A	50 à 60 Hz \pm (1,5 % + 5 chiffres) **
	599,9 A / 999,9 A*	61 à 400 Hz \pm (2 % + 5 chiffres) **
LPF AC A	0,10 A à 99,99 A	50 à 60 Hz \pm (1,5 % + 5 chiffres) **
	599,9 A / 999,9 A*	61 à 400 Hz \pm (5 % + 5 chiffres) **

* ACD-50NAV, ACD-51NAV : 599,9 A ; ACD-53NAV : 999,9 A

* Pour la valeur mesurée < 1 000 chiffres, ajouter 5 chiffres à la précision.

ACDC-52NAV, ACDC-54NAV		
Fonction	Gamme	Précision
DC A	99,99 A	$\pm (1,5 \% + 0,2 \text{ A})$
	599,9 A / 999,9 A*	$\pm (1,5 \% + 5 \text{ chiffres})^{**}$
AC A	0,10 A à 99,99 A	50 à 60 Hz $\pm (1,5 \% + 5 \text{ chiffres})^{**}$
	599,9 A / 999,9 A*	61 à 400 Hz $\pm (2 \% + 5 \text{ chiffres})^{**}$
LPF AC A	0,10 A à 99,99 A	50 à 60 Hz $\pm (1,5 \% + 5 \text{ chiffres})^{**}$
	599,9 A / 999,9 A*	61 à 400 Hz $\pm (5 \% + 5 \text{ chiffres})^{**}$

* ACDC-52NAV : 599,9 A ; ACDC-54NAV : 999,9 A

* Pour la valeur mesurée < 1 000 chiffres, ajouter 5 chiffres à la précision.

Protection contre les surcharges : 1 000 Aeff pour ACD-53NAV, ACDC-54NAV
600 Aeff pour ACD-50NAV, ACD-51NAV, ACDC-52NAV

Erreur de position : $\pm 1 \%$ du résultat.

Le type de conversion c.a. et la précision supplémentaire sont les mêmes que pour la tension alternative.

Précision Aeff c.a. + c.c. : Identique à la caractéristique A c.a. + A c.c.

- Pour une précision optimale de la mesure des courants élevés, la mesure ne doit pas durer plus de 10 minutes (pour ACD-50NAV, ACD-51NAV, ACD-53NAV)
- A c.c. affecté par la température et le magnétisme résiduel.

Appuyez sur la touche HOLD pendant plus de 2 secondes pour compenser.

(3) Maintien de crête : Crête MAX / Crête MIN

ACD-50NAV, ACD-51NAV, ACDC-52NAV		
Fonction	Gamme	Précision
AC V	140,0 V	$\pm (3,0 \% + 15 \text{ chiffres})$
	1 400 V	
AC A	140,0 A	$\pm (3,0 \% + 15 \text{ chiffres})$
	850 A	

ACD-53NAV, ACDC-54NAV		
Fonction	Gamme	Précision
AC V	140,0 V	$\pm (3,0 \% + 15 \text{ chiffres})$
	1 400 V	
AC A	140,0 A	$\pm (3,0 \% + 15 \text{ chiffres})$
	1 400 A	

Protection contre les surcharges : 1 000 Veff
600 Aeff pour ACD-50NAV, ACD-51NAV, ACDC-52NAV
1 000 Aeff pour ACD-53NAV, ACDC-54NAV

Précision définie pour :

Signal sinusoïdal, V c.a. > 5 Veff / A c.a. ≥ 5 Aeff, fréq. 50 à 400 Hz.

- Uniquement pour les événements répétitifs.

(4) Fréquence

ACD-50NAV, ACD-51NAV, ACDC-52NAV, ACD-53NAV, ACDC-54NAV		
Fonction	Gamme	Précision
Fréquence	20,00 à 99,99 Hz	± (0,5 % + 3 chiffres)
	20,00 à 999,9 Hz	
	0,020 à 9,999 kHz	

Protection contre les surcharges : 1 000 Veff
 600 Aeff pour ACD-50NAV, ACD-51NAV, ACDC-52NAV
 1 000 Aeff pour ACD-53NAV, ACDC-54NAV

Sensibilité :

10 à 100 Veff pour la gamme 100 V c.a.
 10 à 100 Aeff pour la gamme 100 A c.a. (> 400 Hz non spécifié)
 100 à 1 000 Veff pour la gamme 1 000V c.a.
 100 à 600/1 000 Aeff pour la gamme 600 A/1 000 A c.a. (> 400 Hz non spécifié)
 - La mesure sera de 0,0 pour les signaux inférieurs à 10,0 Hz.

(5) Taux de distorsion harmonique :

ACD-50NAV, ACD-51NAV, ACDC-52NAV, ACD-53NAV, ACDC-54NAV		
Fonction	Gamme	Précision
AC A / AC V	99,9 %	± (3,0 % + 10 chiffres)

Mesure de distorsion harmonique :

ACD-50NAV, ACD-51NAV, ACDC-52NAV, ACD-53NAV, ACDC-54NAV		
Ordre des harmoniques	Gamme	Précision
H01 à H12	99,9 %	± (5 % + 10 chiffres)
H13 à H25		± (10 % + 10 chiffres)

Protection contre les surcharges : 1 000 Veff
 600 Aeff pour ACD-50NAV, ACD-51NAV, ACDC-52NAV
 1 000 Aeff pour ACD-53NAV, ACDC-54NAV

- Si V c.a. < 10 Veff ou A c.a. < 10 Aeff, le message affiche « rdy » (prêt).
- Si la fréquence du fondamental est en dehors de la gamme 45 à 65 Hz, l'appareil affiche « out.F ».

(6) Courant d'appel :

ACD-50NAV, ACD-51NAV, ACDC-52NAV, ACD-53NAV, ACDC-54NAV		
Fonction	Gamme	Précision
AC A	99,99 A	± (2,5 % + 0,2 A)
	599,9 A / 999,9 A *	± (2,5 % + 5 chiffres)

* ACD-50NAV, ACD-51NAV, ACDC-52NAV : 599,9 A
 ACD-53NAV, ACDC-54NAV : 999,9 A

Protection contre les surcharges : 1 000 Veff
 600 Aeff pour ACD-50NAV, ACD-51NAV, ACDC-52NAV
 1 000 Aeff pour ACD-53NAV, ACDC-54NAV

Précision définie pour :
 Signal sinusoïdal, A c.a. ≥ 10 Aeff, fréq. 50/60 Hz
 - Temps d'intégration environ 100 m secondes

(7) Puissance active : Watt (c.c./c.a.)

ACD-50NAV, ACD-51NAV, ACDC-52NAV, ACD-53NAV, ACDC-54NAV		
Fonction	Gamme	Précision
AC W / DC W	9,999 KW**	A, erreur×V, résultat + V, erreur×A, résultat
	99,99 KW	
	599,9 KW / 999,9 KW*	

* ACD-50NAV, ACD-51NAV, ACDC-52NAV : 599,9 KW

ACD-53NAV, ACDC-54NAV : 999,9 KW

* Pour une mesure < 1 000 kW, ajouter 10 chiffres à la précision.

Protection contre les surcharges : 1 000 Veff
 600 Aeff pour ACD-50NAV, ACD-51NAV, ACDC-52NAV
 1 000 Aeff pour ACD-53NAV, ACDC-54NAV

Précision définie pour :
 W c.a. :
 Signal sinusoïdal, V c.a. ≥ 10 Veff, A c.a. ≥ 5 Aeff
 Fréq. 50 à 60 Hz, PF=1,00
 W c.c. (ACDC-52NAV, ACDC-54NAV uniquement) :
 V c.c. ≥ 10 V, A c.a. ≥ 5 A

(8) Facteur de puissance :

ACD-50NAV, ACD-51NAV, ACDC-52NAV, ACD-53NAV, ACDC-54NAV		
Fonction	Gamme	Précision*
PF	-1,00 à 0,00 à 1,00	$\pm 3^\circ \pm 1$ c

* Pour A c.a. (ACA) < 100 A, ajouter $\pm 2^\circ$ à la précision (pour ACD-50NAV, ACD-51NAV, ACD-53NAV)

Protection contre les surcharges : 1 000 Veff
 600 Aeff pour ACD-50NAV, ACD-51NAV, ACDC-52NAV
 1 000 Aeff pour ACD-53NAV, ACDC-54NAV

(9) Résistance \ Continuité \ Diode :

ACD-50NAV, ACD-51NAV, ACDC-52NAV, ACD-53NAV, ACDC-54NAV		
Fonction	Gamme	Précision
Résistance	999,9 Ω	$\pm (1,0 \% + 5 \text{ chiffres})$
	9,999 k Ω	$\pm (1,0 \% + 5 \text{ chiffres})$
	99,99 k Ω	
Continuité	999,9 Ω	$\pm (1,0 \% + 5 \text{ chiffres})$
Diode	0,40 à 0,80 V	$\pm 0,1 \text{ V}$

Protection contre les surcharges : 1 000 Veff

Courant de test max. : environ 0,5 mA.

Tension maximum en circuit ouvert pour Ω , $\mu\Omega$ environ 3 V

Tension maximum en circuit ouvert pour une diode : environ $\pm 1,8 \text{ V}$

Contrôle de continuité :

Seuil de continuité : < 30 ohms, bip actif.

< 100 ohms, bip inactif.

Indicateur de continuité : Avertisseur avec tonalité de 2 KHz

(10) Capacité :

ACD-50NAV, ACD-51NAV, ACDC-52NAV, ACD-53NAV, ACDC-54NAV		
Fonction	Gamme	Précision
Capacité	3,999 μF	$\pm (1,9 \% + 8 \text{ chiffres})$
	39,99 μF	
	399,9 μF	
	3 999 μF	

Protection contre les surcharges : 1 000 V eff.

(11) Température :

ACD-51NAV, ACDC-54NAV		
Fonction	Gamme	Précision
$^{\circ}\text{C}$	-50 $^{\circ}\text{C}$ à 99,9 $^{\circ}\text{C}$	$\pm (1 \% + 2 \text{ }^{\circ}\text{C})$
	100 $^{\circ}\text{C}$ à 399,9 $^{\circ}\text{C}$	$\pm (1 \% + 1 \text{ }^{\circ}\text{C})$
	400 $^{\circ}\text{C}$ à 1 000 $^{\circ}\text{C}$	
$^{\circ}\text{F}$	-58 $^{\circ}\text{F}$ à 211,9 $^{\circ}\text{F}$	$\pm (1 \% + 4 \text{ }^{\circ}\text{F})$
	212,0 $^{\circ}\text{F}$ à 751,9 $^{\circ}\text{F}$	$\pm (1 \% + 2 \text{ }^{\circ}\text{F})$
	752 $^{\circ}\text{F}$ à 1 832 $^{\circ}\text{F}$	

Protection contre les surcharges : 1 000 Veff

- La caractéristique ci-dessus suppose une stabilité de température ambiante de $\pm 1 \text{ }^{\circ}\text{C}$. La sonde de température doit être en outre reliée à la pince multimètre pendant plus d'une heure avant la mesure.
- Laisser la pince multimètre se stabiliser pendant 2 heures pour une variation de température ambiante supérieure à $\pm 5 \text{ }^{\circ}\text{C}$.

(12) μ A c.c. :

ACDC-51NAV		
Fonction	Gamme	Précision
DC μ A	999,9 μ ADC	$\pm (1,7 \% + 2 \text{ chiffres})^*$

* Pour < 1 000 chiffres, ajouter 6 chiffres à la précision.

Protection contre les surcharges : 1 000 Veff

ENTRETIEN ET RÉPARATION

⚠ ATTENTION

Pour éviter les chocs électriques, débrancher le multimètre des circuits, enlever les cordons de mesure des prises d'entrée et régler la pince sur OFF avant d'ouvrir le boîtier. Ne pas utiliser l'appareil si le boîtier est ouvert. Installer uniquement le même type de pile ou équivalent

Dépannage

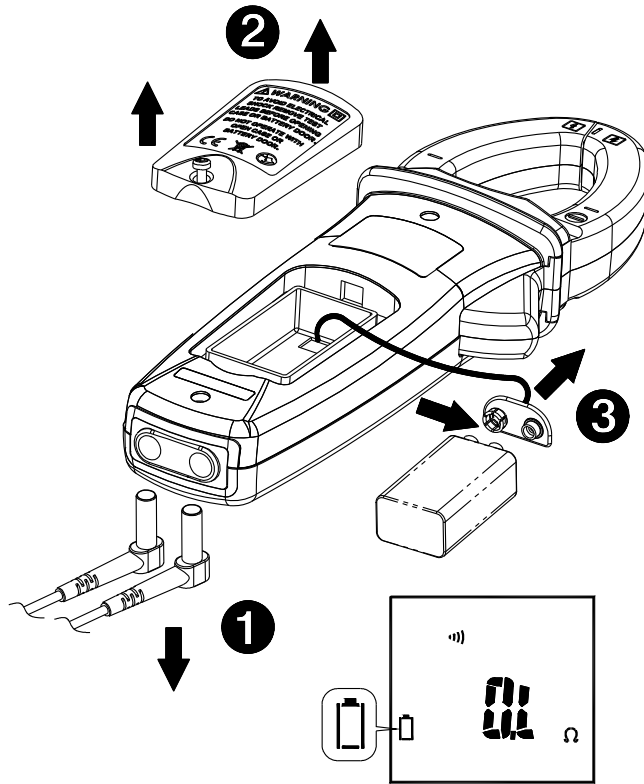
Si l'appareil ne fonctionne pas correctement, vérifiez la pile, les cordons, etc. et remplacez-les au besoin. Vérifiez la procédure de fonctionnement décrite au début de ce mode d'emploi. Si la borne d'entrée tension-résistance de l'appareil est soumise à une tension transitoire élevée (provoquée par la foudre ou par une surtension par commutation sur le réseau) par accident ou d'autres conditions anormales de fonctionnement, les résistances des fusibles série sautent (adoptent une impédance élevée, coupure) à la façon des fusibles pour protéger l'utilisateur et l'appareil. La plupart des fonctions de mesures empruntant cette borne sont ensuite dans un circuit ouvert. Le remplacement des résistances de fusibles série et des spintermètres doit être confié à un technicien qualifié. Consultez la section GARANTIE LIMITÉE pour obtenir des renseignements sur la garantie et le service après-vente.

Nettoyage et entreposage

Nettoyez régulièrement le boîtier avec un chiffon humide et du détergent doux. N'utilisez ni abrasifs ni solvants. Si la pince multimètre doit rester inutilisée pendant plus de 60 jours, retirez la pile et rangez-la séparément.

Changement des piles

1. Éteignez la pince et retirez les cordons de mesure.
2. Desserrez la vis de la trappe d'accès à la pile sur le boîtier. Soulevez la trappe d'accès pour accéder au compartiment.
3. Remplacez la pile (pile alcaline de 9 V NEDA1604A, JIS6AM6 ou CEI6LF22).
4. Remettez la trappe d'accès à la pile et revissez-la.



⚠ ATTENTION

Retirer les cordons de mesure de la pince avant d'ouvrir le couvercle de la pile ou le boîtier de l'appareil.



ACD-50NAV

600 A AC

Navigator-Zangenmessgerät

ACD-51NAV

600 A AC TRMS

Navigator-Zangenmessgerät

ACDC-52NAV

600 A AC/DC TRMS

Navigator-Zangenmessgerät

ACD-53NAV

1000 A AC TRMS

Navigator-Zangenmessgerät

ACDC-54NAV

1000 A AC/DC TRMS

Navigator-Zangenmessgerät

Deutsch

Bedienungshandbuch

7/2013, Rev. 2
©2013 Amprobe Test Tools.
Alle Rechte vorbehalten. Gedruckt in Taiwan.

Beschränkte Gewährleistung und Haftungsbeschränkung

Es wird gewährleistet, dass dieses Amprobe-Produkt für die Dauer von einem Jahr ab dem Kaufdatum frei von Material- und Fertigungsdefekten ist. Diese Gewährleistung erstreckt sich nicht auf Sicherungen, Einwegbatterien oder Schäden durch Unfälle, Nachlässigkeit, Missbrauch, Änderungen oder abnormale Betriebsbedingungen bzw. unsachgemäße Handhabung. Die Verkaufsstellen sind nicht dazu berechtigt, diese Gewährleistung im Namen von Amprobe zu erweitern. Um während der Gewährleistungsperiode Serviceleistungen in Anspruch zu nehmen, das Produkt mit Kaufnachweis an ein autorisiertes Amprobe Test Tools Service-Center oder an einen Amprobe-Fachhändler/-Distributor einsenden. Nähere Einzelheiten siehe Abschnitt „Reparatur“. DIESE GEWÄHRLEISTUNG STELLT DEN EINZIGEN UND ALLEINIGEN RECHTSANSPRUCH AUF SCHADENERSATZ DAR. ALLE ANDEREN (VERTRAGLICH GEREGLTEN ODER GESETZLICH VORGESCHRIEBENEN) GEWÄHRLEISTUNGEN, EINSCHLIESSLICH DER GESETZLICHEN GEWÄHRLEISTUNG DER MARKTFÄHIGKEIT UND DER EIGNUNG FÜR EINEN BESTIMMTEN ZWECK, WERDEN ABGELEHNT. DER HERSTELLER ÜBERNIMMT KEINE HAFTUNG FÜR SPEZIELLE, INDIRECTE, NEBEN- ODER FOLGESCHÄDEN ODER FÜR VERLUSTE, DIE AUF BELIEBIGER URSACHE ODER RECHTSTHEORIE BERUHEN. Weil einige Staaten oder Länder den Ausschluss oder die Einschränkung einer implizierten Gewährleistung sowie den Ausschluss von Begleit- oder Folgeschäden nicht zulassen, ist diese Gewährleistungsbeschränkung möglicherweise für Sie nicht gültig.

Reparatur

Zu allen Geräten, die zur Reparatur oder Kalibrierung im Rahmen der Garantie oder außerhalb der Garantie eingeschendet werden, muss folgendes beigelegt werden: Name des Kunden, Firmenname, Adresse, Telefonnummer und Kaufbeleg. Zusätzlich bitte eine kurze Beschreibung des Problems oder der gewünschten Wartung sowie die Messleitungen dem Messgerät beilegen. Die Gebühren für außerhalb des Garantiezeitraums durchgeführte Reparaturen oder für den Ersatz von Instrumenten müssen per Scheck, Zahlungsanweisung oder Kreditkarte (Kreditkartennummer mit Ablaufdatum) beglichen werden oder es muss ein Auftrag auf Rechnung an Amprobe® Test Tools formuliert werden.

Garantiereparaturen oder -austausch – Alle Länder

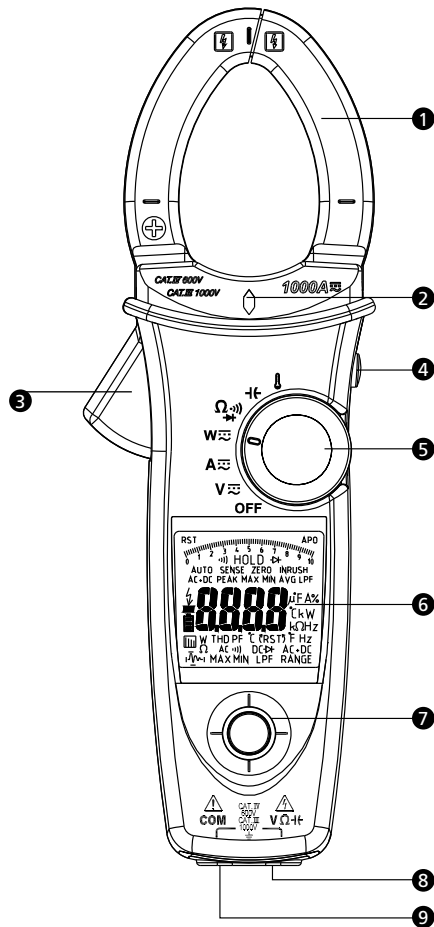
Bitte die Garantieerklärung lesen und die Batterie prüfen, bevor Reparaturen angefordert werden. Während der Garantieperiode können alle defekten Geräte zum Umtausch gegen dasselbe oder ein ähnliches Produkt an den Amprobe® Test Tools-Distributor gesendet werden. Ein Verzeichnis der zuständigen Distributoren ist im

Amprobe® Test Tools Service-Center (Adresse siehe weiter unten) zur Reparatur oder zum Umtausch eingeschendet werden.

Reparaturen und Austausch außerhalb der Garantie – USA und Kanada

Für Reparaturen außerhalb der Garantie in den USA und in Kanada werden die Geräte an ein Amprobe® Test Tools Service-Center gesendet. Auskunft über die derzeit geltenden Reparatur- und Austauschgebühren erhalten Sie von Amprobe® Test Tools oder der Verkaufsstelle.

ACD-50 Serie CAT IV Navigator-Zangenmessgerät







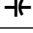

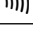





- ① Backe
- ② Voltsense-Lampe
- ③ Auslöser
- ④ Hold-/DC A Zero-Taste
- ⑤ Drehschalter
- ⑥ Anzeige
- ⑦ Navigator-Taste
- ⑧ V / Ω / H Eingang
- ⑨ COM-Eingang

INHALT

SYMBOLE	1
AUSPACKEN UND UNTERSUCHEN	2
MERKMALE	2
BEDIENUNG	3
Durchführen elementarer Messungen	4
Messen von Spannung.....	5
Messen von Strom.....	6
AUTO SENSE-Modus.....	7
Peak Hold	7
Einschaltstrom	8
DC A ZERO	9
Messen von Frequenz	9
MAX/MIN/AVG.....	9
THD-Messung (Oberschwingungsgehalt)	10
LPF.....	11
Messen von Wirkleistung (W) / Leistungsfaktor (PF)	12
Phasendrehung	14
OHM-Messung.....	15
Messen von Kondensatorkapazität	16
Messen von Temperatur °C / °F	17
Messen von μ A	18
AUTOMATISCHE/MANUELLE Bereichswahl	19
HOLD-Taste.....	19
Voltsense.....	20
Summer.....	20
Einschaltoption	20
Batteriezustand.....	20
TECHNISCHE DATEN	21
WARTUNG UND REPARATUR	27
Fehlerbehebung.....	27
Reinigung und Lagerung.....	27
Batterieaustausch.....	27

SYMBOLLE

	Vorsicht! Stromschlaggefahr		Vorsicht! Siehe Erklärung in diesem Handbuch.
	Anwendung in der Umgebung von gefährlichen stromführenden Leitern zulässig.		Gerät ist durch Schutzisolierung oder verstärkte Isolierung geschützt.
	Wechselstrom (AC - Alternating Current).		Gleichstrom (DC - Direct Current).
	Temperaturmessung		Widerstandsmessung
	Kapazitätsmessung		Diodenmessung
	Kontinuitätspieper		Erde, Masse.
	Dieses Symbol wird angezeigt, um den Bediener zu warnen, dass eine möglicherweise gefährliche Spannung vorhanden ist. D. h. das Messgerät erkennt eine Spannung ≥ 30 V bzw. eine Überlastspannung (OL) in V.		Übereinstimmung mit EU-Vorschriften.
	Übereinstimmung mit den relevanten australischen Standards.		Batterie
	Dieses Produkt nicht im unsortierten Kommunalabfall entsorgen. Ein qualifiziertes Recycling-Unternehmen kontaktieren.		

Sicherheitsinformationen

- Falls GEFÄHRLICHE STROMFÜHRENDE Teile in der Installation, an der Maßnahmen durchzuführen sind, ZUGÄNGLICH sein könnten, muss Individuelle Schutzausrüstung verwendet werden.
- Dieses Handbuch enthält Informationen und Warnungen, die befolgt werden müssen, um das Messgerät sicher zu betreiben und in einwandfreien Betriebszustand zu halten. Wenn das Messgerät in einer hier nicht beschriebenen Art verwendet wird, wird der durch das Messgerät gebotene Schutz unter Umständen beeinträchtigt.
- Das Messgerät ist ausschließlich für Gebrauch in Gebäuden konzipiert.
- Der Schutzgrad des Messgerätes gegenüber den Bedienern ist Schutzisolierung gemäß IEC/EN 61010-1 3rd Ed. Ausgabe, Kategorie III 1000 Volt Wechselspannung und Gleichspannung und Kategorie IV 600 Volt Wechselspannung und Gleichspannung.
- Die Messleitungen vor dem Wechseln von Messgerätfunktionen mit dem Drehschalter von den Prüfpunkten trennen.
- Niemals eine Verbindung zu einer Spannungsquelle herstellen, wenn sich der Funktionsdreheschalter in der Position Ω , μA , μA oder μA befindet.
- Das Messgerät nicht extremen Temperaturen oder hoher Feuchtigkeit aussetzen.
- Das Messgerät niemals in die Funktion Ω , μA , μA oder μA schalten, um die Spannung eines Stromversorgungsschaltkreises in einem Gerät zu messen, das eine Beschädigung des Messgeräts und des zu prüfenden Geräts verursachen könnte.

Messkategorie:

V: Kategorie III 1000 Volt Wechselspannung und Gleichspannung und Kategorie IV 600 Volt Wechselspannung und Gleichspannung.

A: Kategorie III 1000 Volt Wechselspannung und Gleichspannung und Kategorie IV 600 Volt Wechselspannung und Gleichspannung.

Gemäß IEC61010-1 3. Ausgabe Messkategorie

Messkategorie IV (CAT IV) für Messungen, die an der Quelle der Niederspannungsanlage durchgeführt werden. Zu den Beispielen gehören Stromzähler an Primär-Überstrom-Schutzgeräten und Rundsteuerungsgeräten.

Messkategorie III (CAT III) für Messungen, die an der Gebäudeinstallation durchgeführt werden. Zu den Beispielen gehören Reihensteckdosen, Trennschalter, Verkabelung, einschließlich Kabeln, Sammelschienen, Anschlusskästen, Schaltern und Steckdosenverteilern in stationären Installationen, sowie Ausrüstung für industrielle Verwendung und bestimmte andere Ausrüstung wie stationäre Motoren mit permanenter Verbindung zu einer stationären Installation.

⚠ WARNUNG

Um das Risiko von Feuer und Stromschlag zu verringern, dieses Produkt nicht Regen oder Feuchtigkeit aussetzen. Zur Vermeidung von Stromschlag bei Arbeiten mit Spannungen über 60 V Gleichspannung oder 30 V Wechselspannung eff. die ordnungsgemäßen Sicherheitsvorkehrungen beachten. Diese Spannungen stellen eine Stromschlaggefahr für den Bediener dar. Die Spitzen der Messleitungen bzw. den zu prüfenden Schaltkreis nicht berühren, während Strom an den Schaltkreis angelegt ist. Die Finger während Messungen stets hinter dem Griffschutz der Messleitungen halten. Vor jedem Gebrauch die Messleitungen, Anschlüsse und Sonden bezüglich beschädigter Isolierung und exponiertem Metall untersuchen. Falls ein Defekt festgestellt wird, das entsprechende Teil unverzüglich ersetzen. Ausschließlich die zum Lieferumfang gehörenden Messleitungen verwenden, bzw. diese durch gleichwertige oder bessere Messleitungen ersetzen.

AUSPACKEN UND UNTERSUCHEN

Der Verpackungskarton sollte Folgendes enthalten:

- 1 Stomzangenmessgerät
- 1 Messleitungen (1 Satz)
- 1 Temperaturadapter und -sonde (nur ACD-51NAV und ACDC-54NAV)
- 1 Bedienungshandbuch
- 1 Tragbehälter
- 1 9 V Alkalibatterie (eingesetzt)

Wenn einer dieser Artikel beschädigt ist oder fehlt, die gesamte Lieferung zwecks Ersatz an die Verkaufsstelle zurücksenden.

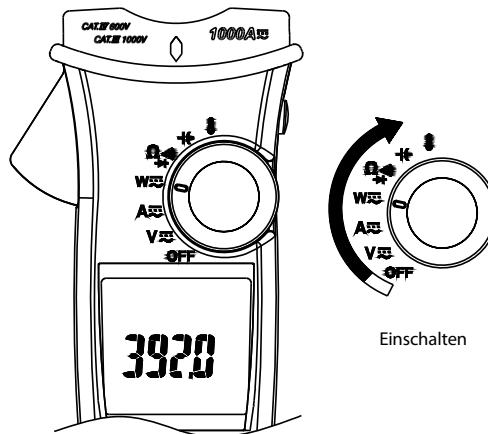
MERKMALE

- True RMS – Echteffektivwert
- Messungen:
 - o Spannung bis 1000 V Wechselspannung/Gleichspannung, Widerstand, Frequenz, THD (Oberschwingungsgehalt) und einzelne Oberschwingungen 1. bis 25., Leistung, Leistungsfaktor

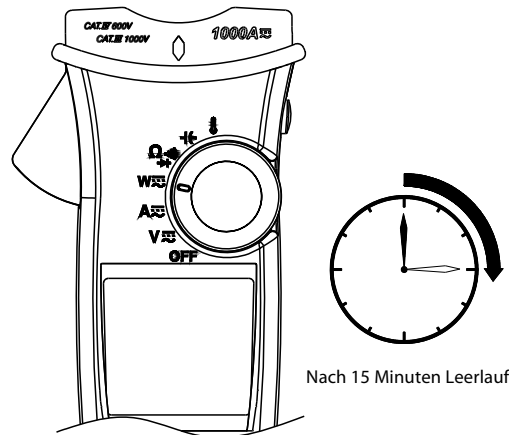
- o Wechselstrom
 - Bis 600 A (ACD-50NAV, ACD-51NAV, ACDC-52NAV)
 - Bis 1000 A (ACD-53NAV, ACDC-54NAV)
- o Gleichstrom
 - Bis 600 A (ACDC-52NAV)
 - Bis 1000 A (ACDC-54NAV)
- o Kapazität
- o Temperaturmessung in °C / °F (nur ACD-51NAV, ACDC-54NAV) -
Temperaturadapter und -sonde enthalten
- o Gleichstrom-Mikroampere (nur ACD-51NAV)
- Phasendrehungsanzeige
- Berührungslose Spannungserkennung
- Messung des Einschaltstroms für Motoren
- Tiefpassfilter für Frequenzumrichter
- Kontinuitätspiepser
- Min., Max. und Smart Data Hold
- Peak Hold (Spitzenwert festhalten)
- Automatische Taschenlampe bei Zangeneinsatz
- Große 10000-Zählwerte-Anzeige mit aktiver Hintergrundbeleuchtung
und analogem Balkendiagramm
- Automatische Ausschaltung (APO)
- Maximale Backenöffnung 45 mm
- Fallbeständig bis 1,2 m
- Deluxe-Tragbehälter enthalten
- CAT IV 600 V / CAT III 1000 V Sicherheitsstandard

BEDIENUNG

Ein / Aus-Taste



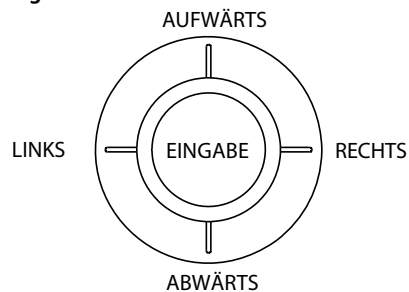
Automatische Ausschaltung (APO)



Das Messgerät kann durch Drehen aus der Position OFF in eine andere Position wieder eingeschaltet werden.

Deaktivieren der automatischen Ausschaltung (APO): Auf der Navigator-Taste **Abwärts** verwenden und das Messgerät gleichzeitig aus der Position OFF in eine andere Position einschalten.

Navigator-Taste



Die Navigator-Taste umfasst die abgebildeten 5 Schalrichtungen. Einfaches Berühren/Anklicken der gewünschten Schalrichtung bewirkt Aktivierung der entsprechenden Funktion.

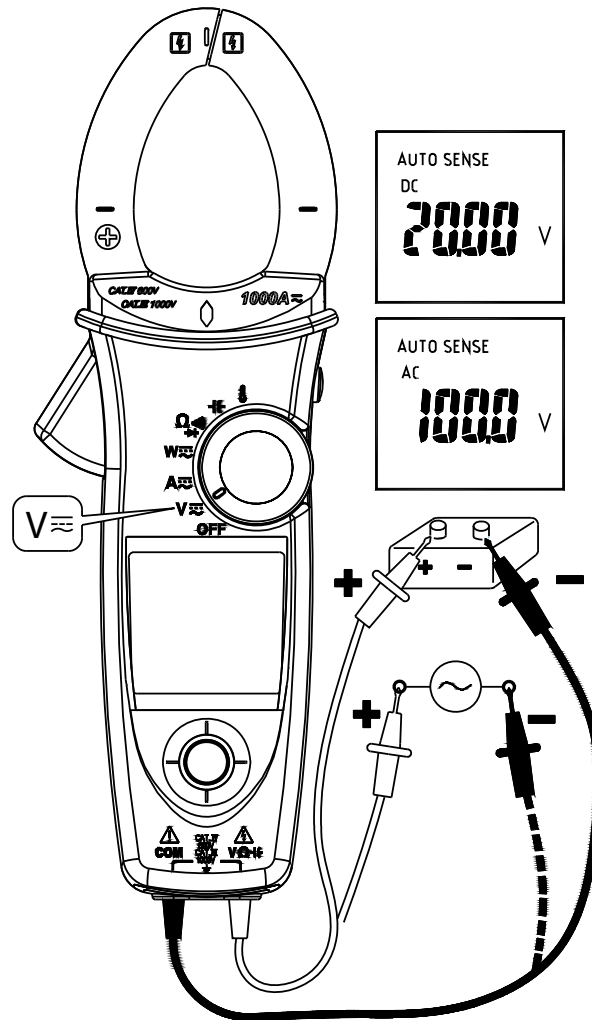
Durchführen elementarer Messungen

⚠ VORSICHT

Vor und nach gefährlichen Spannungsmessungen die Spannungsfunktion an einer bekannten Quelle, z. B. Netzspannung, testen, um die Funktionsfähigkeit des Messgeräts zu prüfen.

Beim Anschließen der Messleitungen an das zu prüfende Gerät zuerst die gemeinsame Messleitung und dann die stromführende Messleitung anschließen; beim Entfernen der Messleitungen zuerst die stromführende Messleitung und dann die gemeinsame Messleitung entfernen.

Messen von Spannung

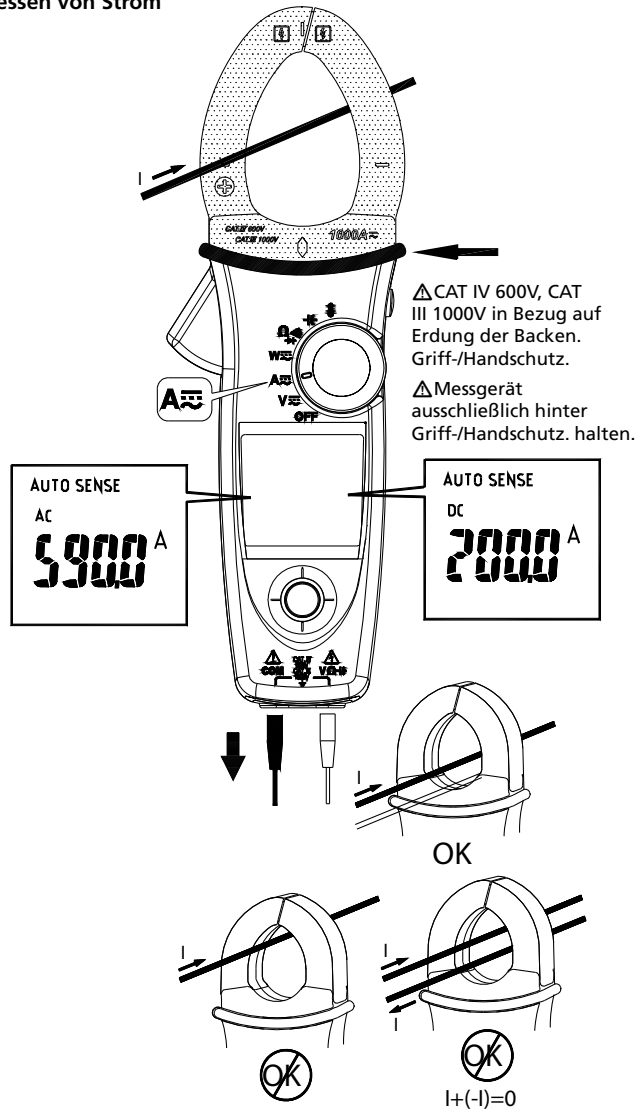


⚠ WARNING

Zur Vermeidung von Stromschlag, Gefahr oder Beschädigung des Messgeräts keine Messungen vornehmen, die 1000 V Gleichspannung oder Wechsellspannung eff. überschreiten können. Nicht mehr als 1000 V Gleichspannung oder Wechsellspannung eff. an die Eingangsanschlüsse anlegen.

Hinweis - Wenn die gemessene Spannung höher ist als 30 V Gleichspannung oder Wechsellspannung eff., zeigt die Anzeige das Symbol ⚡ an.

Messen von Strom



- Keine Leiter in die Zange einführen, während das Messgerät eingeschaltet ist.
- Das ACD-50NAV, ACD-51NAV und ACD-53NAV verfügen nur über Wechselstrommessmodus.
- Automatische Taschenlampe bei Zangeneinsatz.

⚠ VORSICHT

Keine Strommessungen mit den Zangenbacken vornehmen, wenn die Temperatursonde am Messgerät angeschlossen ist.

AUTO SENSE-Modus:

Anzeigewert ist der größere Wert von: Nur-Wechselstrom mit Effektivwert oder Gleichstromwert.

AC-Modus: Nur-Wechselstrom mit Effektivwert (RMS).

DC-Modus: Gleichstromwert.

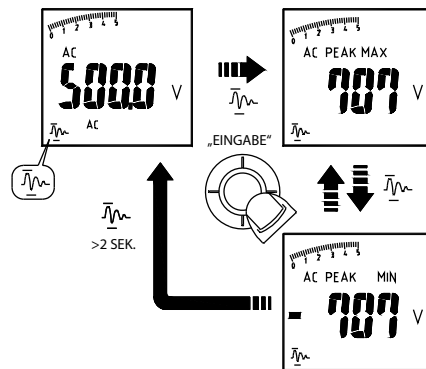
AC+DC-Modus: Wechselstrom+Gleichstrom Effektivwert (RMS).

Hinweis:

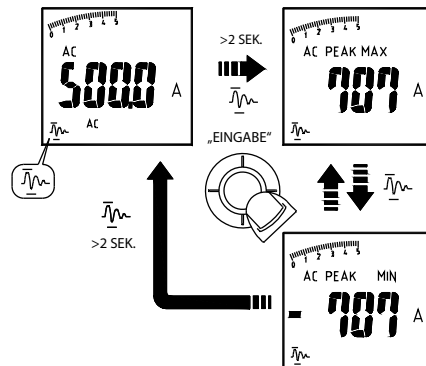
- Den Anzeiger AC, DC oder AC+DC auswählen und dann die Navigator-Taste drücken, um den AC/DC/AC+DC-Modus zu aktivieren.
- Den Anzeiger AC, DC oder AC+DC auswählen und dann die Navigator-Taste mehr als 2 Sekunden gedrückt halten, um in den AUTO SENSE-Modus zurückzukehren.

PEAK HOLD \bar{V} (nur Wechselstrommodus)

1. Im AC V-Modus den Anzeiger \bar{V} auf der Anzeige auswählen, um den PEAK HOLD-Modus zu aktivieren. Um den PEAK HOLD-Modus zu beenden, die Navigator-Taste mehr als 2 Sekunden gedrückt halten.



2. Im AC A-Modus den Anzeiger \bar{A} auswählen und dann die Navigator-Taste mehr als 2 Sekunden gedrückt halten, um den PEAK HOLD-Modus zu aktivieren. Um den PEAK HOLD-Modus zu beenden, die Navigator-Taste mehr als 2 Sekunden gedrückt halten, sodass das Messgerät zu Anzeige \bar{A} zurückkehrt.

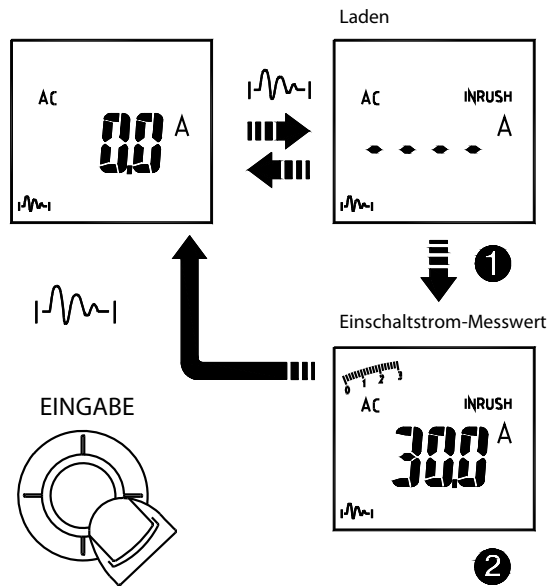
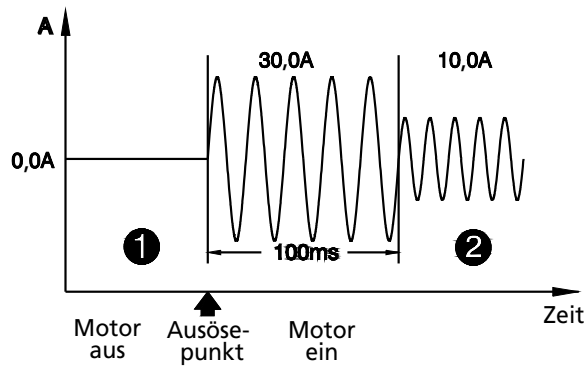


Im PEAK HOLD-Modus ist das Messgerät aktiviert, um den positiven Spitzenwert und den negativen Spitzenwert festzuhalten. Im PEAK MAX-Modus wird der positive Spitzenwert angezeigt. Im PEAK MIN-Modus wird der negative Spitzenwert angezeigt.

Einschaltstrom I_{inrush} (nur Wechselstrommodus)

Wenn der zu messende Einschaltstrom mehr als 100 A Wechselstrom betragen kann, vor Aktivierung des Einschaltstroms den Bereich 600 A/1000 A auswählen.

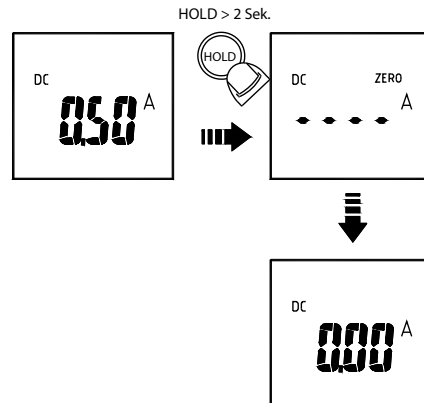
Im AC A-Modus den Anzeiger I_{inrush} auf der Anzeige auswählen, um den Einschaltstrommodus zu aktivieren. Um den Einschaltstrommodus zu beenden, die Navigator-Taste erneut drücken.



DC A ZERO (nur ACDC-52NAV, ACDC-54NAV)

Die Backe vom Leiter entfernen.

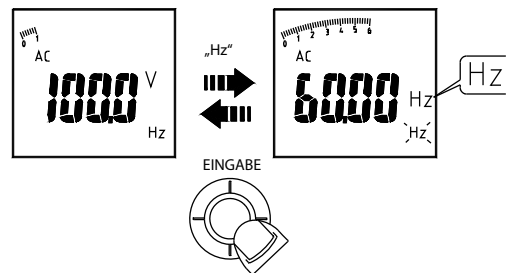
Die HOLD-Taste mehr als 2 Sekunden gedrückt halten, um die Restmagnetisierung zu kompensieren.



- DC A Zero ist nur in den Modi AUTO SENSE, DC und AC+DC verfügbar.

Messen von Frequenz (nur Wechselstrommodus)

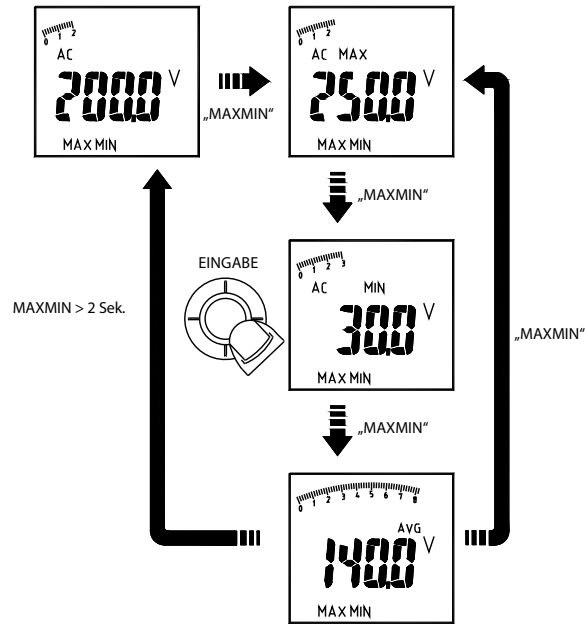
Den Anzeiger „Hz“ auswählen und dann die Navigator-Taste drücken, um den Frequenzmessmodus zu aktivieren/zu beenden.



MAX/MIN/AVG

Den Anzeiger „MAX MIN“ auswählen und dann die Navigator-Taste drücken, um den MAX/MIN/AVG-Modus zu aktivieren. Um den MAX/MIN/AVG-Modus zu beenden, die Navigator-Taste mehr als 2 Sekunden gedrückt halten.

Der MAX/MIN/AVG-Modus zeichnet die Min.- und Max.-Eingangswerte auf. Wenn die Eingänge den aufgezeichneten Min.-Wert unterschreiten oder den aufgezeichneten Max.-Wert überschreiten, wird ein neuer Wert aufgezeichnet. Der MAX/MIN/AVG-Modus ermittelt auch den Mittelwert zwischen dem Max.-Wert und dem Min.-Wert.

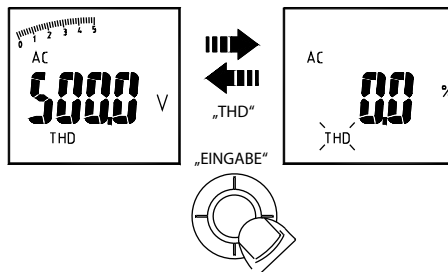


Hinweis:


- Die HOLD-Taste im MAX MIN-Modus drücken, um die Aktualisierung der Max.- und Min.-Werte durch das Messgerät zu stoppen. Wenn der HOLD-Modus im MAX MIN-Modus aktiviert ist, muss der HOLD-Modus vor dem MAX MIN-Modus deaktiviert werden.

THD-Messung (Oberschwingungsgehalt)
(nur Wechselstrommodus)

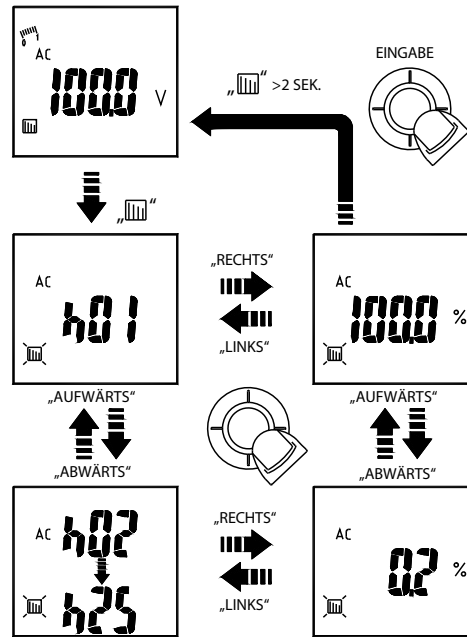
Den Anzeiger „THD“ auswählen und dann die Navigator-Taste drücken, um den THD-Modus zu aktivieren. THD-F=Effektivwert von Oberschwingung ÷ Effektivwert von Grundschiwingung ×100 %. (Oberschwingungen bis 25.)



Messung einer einzelnen Oberschwingung
(nur Wechselstrommodus)

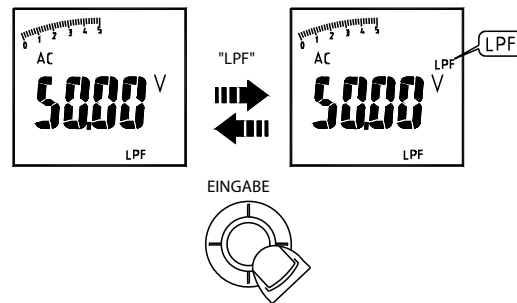
Den Anzeiger  auswählen und dann die Navigator-Taste drücken, um den Einzel-Oberschwingungsmodus zu aktivieren. Um den Einzel-Oberschwingungsmodus zu beenden, die Navigator-Taste mehr als 2 Sekunden gedrückt halten.

$H_n = \text{Effektivwert der einzelnen Oberschwingung} \div \text{Effektivwert der Grundschwingung} \times 100 \%$



LPF (nur Wechselstrommodus)

Den Anzeiger „LPF“ auswählen und dann die Navigator-Taste drücken, Hochfrequenzrauschen zu beseitigen.



Hinweis: Peak Hold, Einschaltstrom, THD, HZ, Einzel-Oberschwingung und LPF sind nur im Wechselstrommodus verfügbar.

Messen von Wirkleistung (W) / Leistungsfaktor (PF)

1. Leistungsmessung - einphasig

Schritt 1. Den Drehschalter in die Position „W“ schalten.

Schritt 2. Die rote Messleitung an den stromführenden Leiter anschließen und die schwarze Messleitung an den Nullleiter.

Schritt 3. Den Auslöser drücken, um die Transformatorbacken zu öffnen und dann einen einzigen Leiter einschließen; sicherstellen, dass die Backen den Leiter einschließen und ordnungsgemäß geschlossen sind.

Schritt 4. Die Navigator-Taste verwenden, um den W/PF-Modus zu wählen.

Hinweis:

- Das „+“-Symbol auf der Backe muss auf der Stromquellenseite liegen.
- Im AUTO SENSE-Modus wird ACW/DCW angezeigt (je nachdem, ob das Messgerät Wechselstromfrequenz erkennt).
- Das ACD-50NAV, ACD-51NAV und ACD-53NAV verfügen nur über Wechselstrommessmodus.

Wirkleistungszeichen:

Kein Zeichen: Gibt an, dass der Strom von der Stromquelle zur Last fließt.

„-“-Zeichen: Gibt an, dass der Strom von der Last zur Stromquelle fließt.

Leistungsfaktorzeichen:

Kein Zeichen: Die Phase des aktuellen Signals eilt dem Spannungssignal (induktive Last) nach.

„-“-Zeichen: Die Phase des aktuellen Signals eilt dem Spannungssignal (Kapazitive Last) voraus.

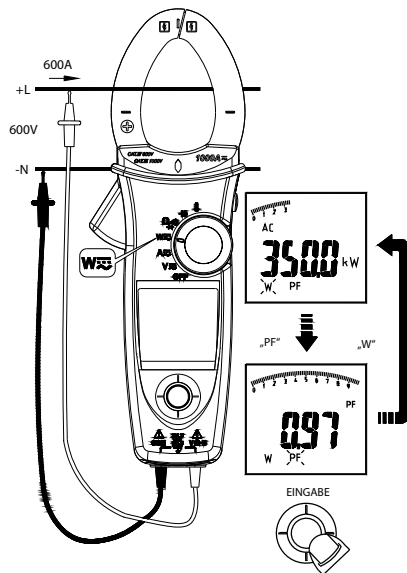
Überlastanzeige:

OL.U: Spannungsüberlast

OL.A: Stromüberlast

OL.UA: Spannungs- und Stromüberlast.

± OL kW: Wirkleistung > 1000 kW bzw. < -1000 kW.

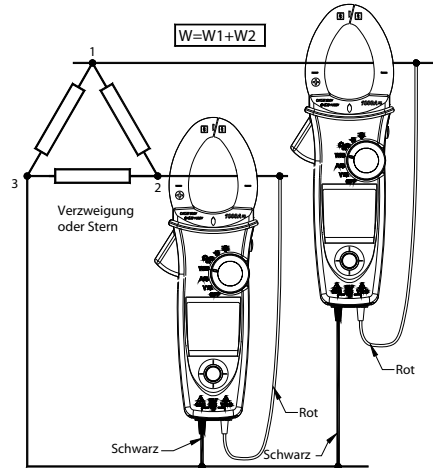


2. Leistungsmessung - dreiphasig

A. Dreiphasig, 3 Leiter symmetrisch/unsymmetrisch

Schritt 1. Den Drehschalter in die Position „W“ schalten.

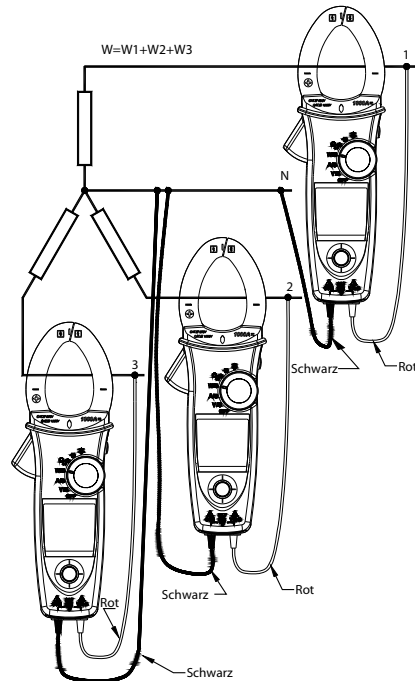
Schritt 2. Die Navigator-Taste verwenden, um den W-Modus zu wählen.



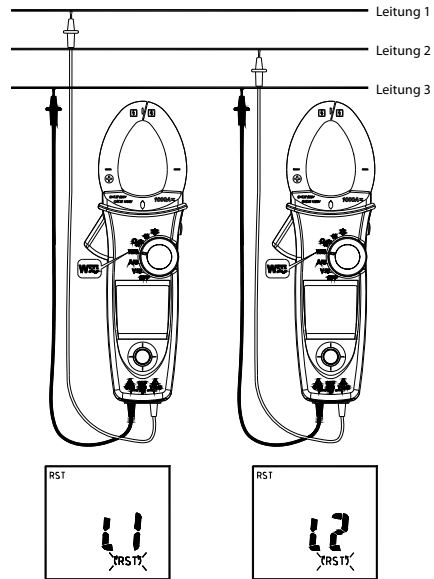
B. Dreiphasig, 4 Leiter symmetrisch/unsymmetrisch

Schritt 1. Den Drehschalter in die Position „W“ schalten.

Schritt 2. Die Navigator-Taste verwenden, um den „W“-Modus zu wählen.



Phasendrehung



Hinweis:

- Die drei Phasen der Stromquelle wie oben abgebildet anschließen.
- Der Test ist nur verfügbar, während die Systemfrequenz stabil ist.

Schritt 1. Den Drehschalter in die Position „W“ schalten.

Schritt 2. Die Navigator-Taste verwenden, um den „RST“-Modus zu wählen.

Schritt 3. Die rote Messleitung und die schwarze Messleitung an einen Leiter anschließen (z. B. rote Messleitung an Phasenleitung 1 und die schwarze Messleitung an Phasenleitung 3).

Hinweis: Wenn Folgendes auftritt, ist das Messgerät nicht in der Lage, die Leitungsphase zu bestimmen:

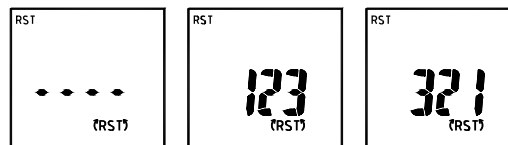
Der Bildschirm zeigt OLU an und blinkt: Spannung > 1000 V

Der Bildschirm zeigt LoU an und blinkt: Spannung > 30 V

Der Bildschirm zeigt outF an und blinkt: Frequenz > 65 Hz bzw. < 45 Hz

Schritt 4. Wenn der SUMMER zweimal piepst, innerhalb von 3 Sekunden eine der Messleitungen an einen anderen Leiter anschließen.

Der Bildschirm zeigt das Ergebnis wie folgt an:

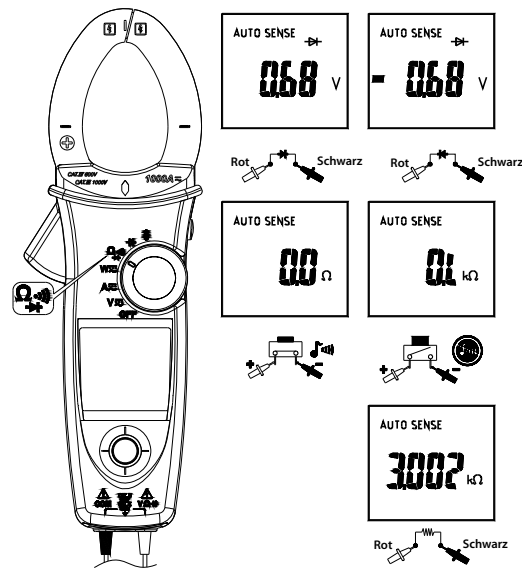


a) „1 2 3“ zeigt eine Phasenfolge in Drehrichtung an.

b) „3 2 1“ zeigt eine umgekehrte Phasenfolge an.

- c) „- - - -“ bedeutet, dass die Leitungsphasen nicht bestimmt werden können.
- d) Falls LoU angezeigt wird, wurden die Messleitungen möglicherweise vor Abschluss der Messgerät-Testverfahren entfernt.
- Schritt 5.** Um den Test zu wiederholen, die Navigator-Taste verwenden und den „rST“ -Modus erneut auswählen.

OHM-Messung



⚠ VORSICHT

Zur Vermeidung von Schaden am Messgerät oder an den zu prüfenden Geräten vor dem Messen von Widerstand oder Dioden den Strom des Stromkreises abschalten und alle Hochspannungskondensatoren entladen.

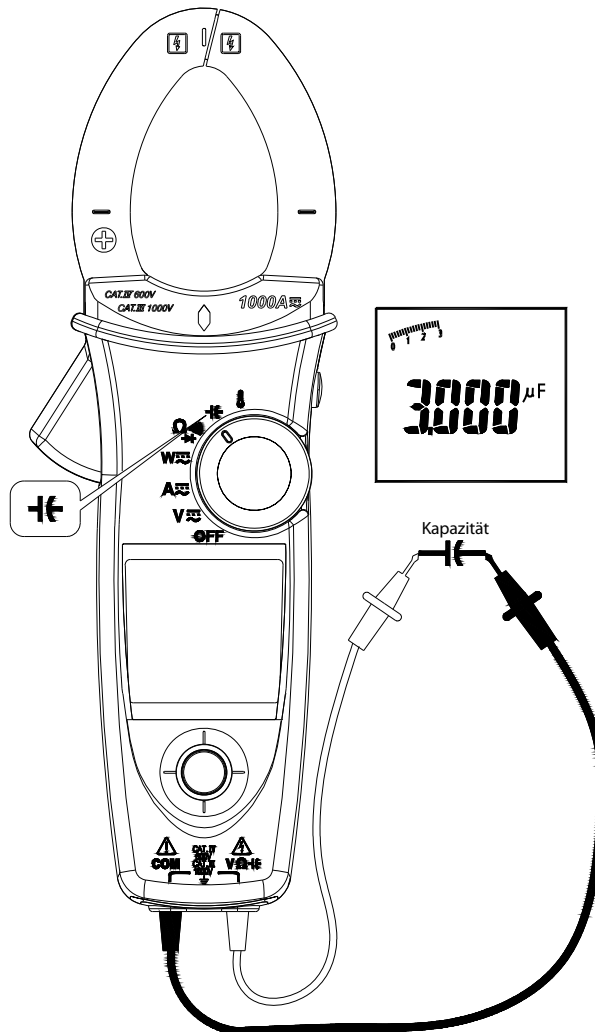
Hinweis:

- Den Anzeiger Ω / $\text{m}\Omega$ / $\text{A}\Omega$ auswählen und dann die Navigator-Taste drücken, um den Ω / $\text{m}\Omega$ / $\text{A}\Omega$ -Modus zu aktivieren.
- Den Anzeiger Ω / $\text{m}\Omega$ / $\text{A}\Omega$ auswählen und dann die Navigator-Taste mehr als 2 Sekunden gedrückt halten, um in den AUTO SENSE-Modus zurückzukehren.

Hinweis: Diodenmodus: Wenn der Bildschirm beim Messen einer Diode „bad“ anzeigt, ist die Diode möglicherweise defekt.

Messen von Kondensatorkapazität

Den Drehschalter in die Position ⏏ schalten.




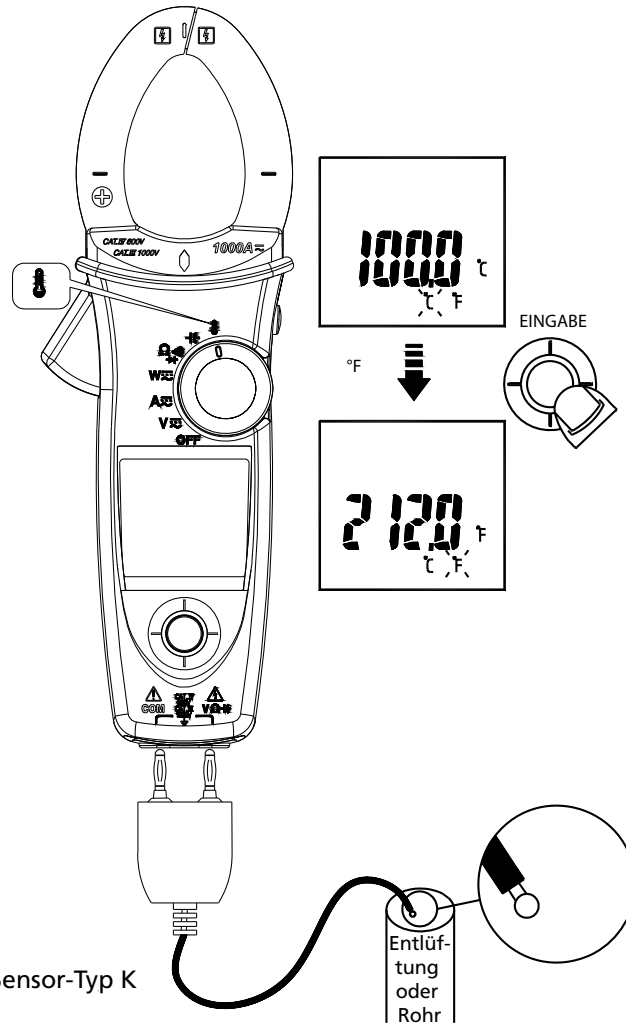
⚠ VORSICHT

Zur Vermeidung von Schaden am Messgerät oder an den zu prüfenden Geräten vor dem Messen von Kapazität den Strom des Stromkreises abschalten und alle Hochspannungskondensatoren entladen. Die Gleichspannungsfunktion verwenden, um zu bestätigen, dass der Kondensator entladen ist.

Hinweis: Das Messgerät zeigt „diSC“ an, während der Kondensator entladen wird.

Messen von Temperatur °C/°F
(nur ACD-51NAV und ACDC-54NAV)

Den Drehschalter in die Position  schalten.

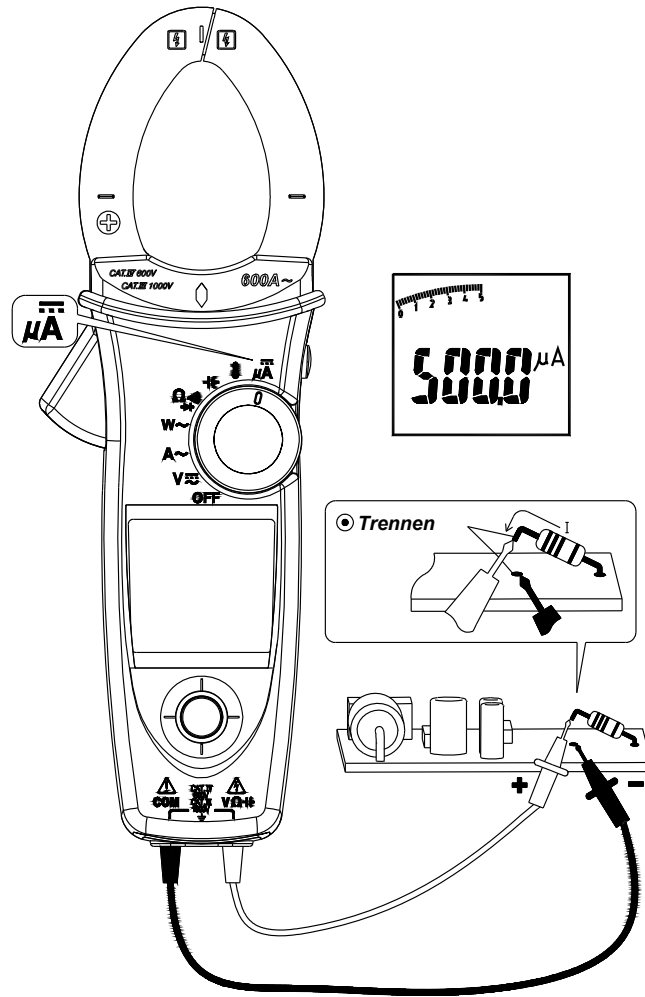


Sensor-Typ K

Keine Hochspannungsmessungen vor °C/°F-Messungen durchführen, die Genauigkeit erfordern.

Messen von μA (nur ACD-51NAV)

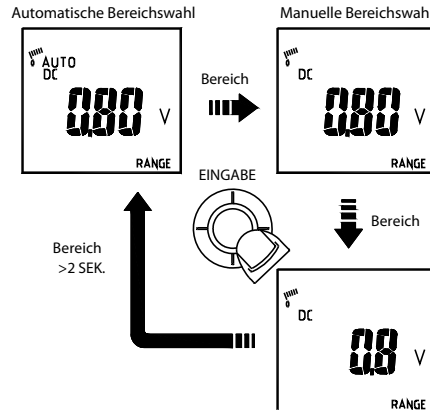
Den Drehschalter in die Position μA schalten.



Weitere Funktionen:

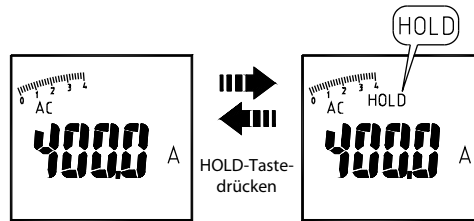
AUTOMATISCHE/MANUELLE Bereichswahl

Den Anzeiger RANGE auswählen und dann die Navigator-Taste drücken, um den Modus „Manuelle Bereichswahl“ zu aktivieren. Um in den Modus „Automatische Bereichswahl“ zurückzukehren, die Navigator-Taste mehr als 2 Sekunden gedrückt halten.



HOLD-Taste

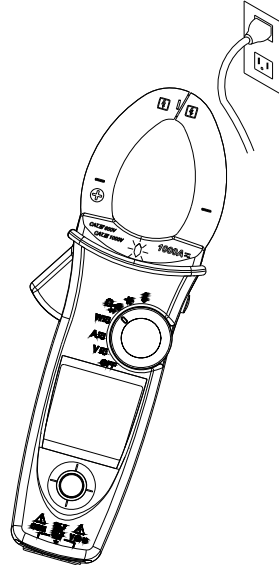
Die HOLD-Taste drücken, um den Anzeigewert „festzustellen“.



SMART HOLD: Das Messgerät piepst kontinuierlich und die Anzeige blinkt, wenn das gemessene Signal größer ist als der Anzeigewert (für V.A.W-Funktion).

Voltsense

Die rote raute-förmige LED leuchtet, wenn die Backen ein elektrisches Feld erkannt haben.



Summer

Das Messgerät piepst einmal für jeden gültigen Tastendruck und zweimal für jeden ungültigen Tastendruck.

Einschaltoptionen

Eine der folgenden Tasten drücken und das Messgerät gleichzeitig aus der Position OFF in eine andere Position einschalten.

Aufwärts auf Navigator-Taste: Zeigt die Softwareversion an.





Abwärts auf Navigator-Taste: Automatische Ausschaltfunktion deaktivieren.

Links auf Navigator-Taste: Aktive Hintergrundbeleuchtung deaktivieren.

HOLD-Taste: Zeigt alle LCD-Symbole ungefähr 10 Sekunden lang an.

Batteriezustand

Der Batteriezustand von der Batterieanzeige angezeigt.

Batteriezustand	Beschreibung
	Die Batterie ist vollständig aufgeladen.
	Die Batterieenergie beträgt 2/3.
	Die Batterieenergie beträgt 1/3.
	Zur Vermeidung ungenauer Messwerte die Batterien ersetzen, sobald die Anzeige für schwache Batterie eingeblendet wird.

Für Informationen über Batterieaustausch im Abschnitt WARTUNG UND REPARATUR nachschlagen.

TECHNISCHE DATEN


Allgemeine Spezifikationen

Anzeigezählwert: 10000 oder 4000

Messrate: 3 mal pro Sekunde

Überlastanzeige: „OL“ oder „-OL“.

Automatische Ausschaltung: ca. 15 Minuten.

Anzeiger für schwache Batterie:  wird angezeigt. Die Batterie ersetzen, wenn der Anzeiger auf der Anzeige erscheint.

Stromanforderungen: 9-V-Batterie.

Batterielebensdauer: 9-V-ALKALIBATTERIE, 50 Stunden (ohne Hintergrundbeleuchtung).

Umgebungsbedingungen

Gebrauch in Gebäuden

Kalibrierung: Kalibrierzyklus: 1 Jahr.

Betriebstemperatur: 0 °C ~ 10 °C
11 °C ~ 30 °C (≅ 80 % RH)
30 °C ~ 40 °C (≅ 75 % RH)
40 °C ~ 50 °C (≅ 45 % RH)

Lagertemperatur: -10 bis 50 °C für Strom
-20 bis 60 °C für andere Funktionen
0 bis 80 % RH (ohne Batterien)

Temperaturkoeffizient: 0,2 x (spezifizierte Genauigkeit) / °C, < 18 °C, > 28 °C.

Überspannungskategorie: CAT IV 600 V, CAT III 1000 V

CAT	Anwendungsfeld
I	Schaltkreise nicht mit Netz verbinden.
II	Schaltkreise direkt mit Niederspannungsinstallation verbunden.
III	Gebäudeinstallation.
IV	Quelle der Niederspannungsinstallation.

CENELEC-Richtlinien: Das Instrument stimmt mit der CENELEC-Niederspannungsrichtlinie 2006/95/EG und der Richtlinie zur elektromagnetischen Verträglichkeit 2004/108/EG überein.

Sicherheitskonformität:

- IEC/EN 61010-1 Ausg. 3.0, UL 61010-1 (2te Ausg.), CAN/CSA-C22.2 Nr. 61010-1-04 bis Messkategorie III 600 V, Verschmutzungsgrad 2
- IEC/EN 61010-2-030
- IEC/EN 61010-2-032, CAN/CSA-C22.2 Nr. 61010-2-032-04
- IEC/EN 61010-031 (Messleitungen)

EMV: Erfüllt alle zutreffenden Anforderungen in IEC/EN 61326-1

Betriebshöhenlage: bis 2000 m

Leiterdurchmesser:

37 mm für ACD-50NAV, ACD-51NAV, ACDC-52NAV
42 mm für ACD-53NAV, ACDC-54NAV

Stoß- und Vibrationsfestigkeit: Sinusschwingung gemäß MIL-T-28800F (5 ~ 55 Hz, 3 g max.)

Fallschutz: 1,2 m Fall auf Hartholz- oder Betonboden

Elektrische Spezifikationen

Genauigkeit ist \pm (% Messwert + Anzahl Stellen) bei $23\text{ °C} \pm 5\text{ °C} < 80\text{ \% RH}$.

(1) Spannung

ACD-50NAV, ACD-51NAV, ACDC-52NAV, ACD-53NAV, ACDC-54NAV		
Funktion	Bereich	Genauigkeit*
DC V	99,99 V	$\pm (0,7\text{ \%} + 2\text{ Stellen})$
	999,9 V	
AC V	99,99 V	$\pm (1,0\text{ \%} + 5\text{ Stellen})$
	999,9 V	50 ~ 500 Hz
LPF	99,99 V	50 ~ 60 Hz $\pm (1\text{ \%} + 5\text{ Stellen})$
	999,9 V	61 ~ 400 Hz $\pm (5\text{ \%} + 5\text{ Stellen})$

* DCV < 1000, 6 Stellen zur Genauigkeit hinzufügen. ACV < 1000, 3 Stellen zur Genauigkeit hinzufügen.

Überlastschutz: 1000 V eff.

Eingangsimpedanz: $3,5\text{ M}\Omega // < 100\text{ pF}$

Wechselstrom-Umwandlungstyp: Wechselstromumwandlungen sind wechselstromgekoppelt, sprechen auf den Echt-Effektivwert an und sind auf den Effektivwert eines sinusförmigen Eingangs kalibriert. Genauigkeiten für sinusförmige Schwingung bei Vollausschlag und nicht-sinusförmige Schwingung unterhalb Halbausschlag. Für nicht-sinusförmige Schwingung (50/60 Hz) die folgenden Spitzenfaktorkorrekturen hinzufügen:

Für Spitzenfaktor 1,4 bis 2,0, 1,0 % zur Genauigkeit hinzufügen.

Für Spitzenfaktor 2,0 bis 2,5, 2,5 % zur Genauigkeit hinzufügen.

Für Spitzenfaktor 2,5 bis 3,0, 4,0 % zur Genauigkeit hinzufügen.

CF 3 bei 460 V, 460 A (für ACD-53NAV, ACDC-54NAV)

280 A (für ACD-50NAV, ACD-51NAV, ACDC-52NAV)

2 bei 690 V, 690 A (für ACD-53NAV, ACDC-54NAV)

420 A (für ACD-50NAV, ACD-51NAV, ACDC-52NAV)

AC+DC V eff. Genauigkeit: wie ACV-Spez. +DCV-Spez.

(2) Strom

ACD-50NAV, ACD-51NAV, ACD-53NAV		
Funktion	Bereich	Genauigkeit
AC A	99,99 A	50 ~ 60 Hz $\pm (1,5\text{ \%} + 5\text{ Stellen})$ **
	599,9 A / 999,9 A*	61 ~ 400 Hz $\pm (2\text{ \%} + 5\text{ Stellen})$ **
LPF	0,10 A ~ 99,99 A	50 ~ 60 Hz $\pm (1,5\text{ \%} + 5\text{ Stellen})$ **
AC A	599,9 A / 999,9 A*	61 ~ 400 Hz $\pm (5\text{ \%} + 5\text{ Stellen})$ **

* ACD-50NAV, ACD-51NAV: 599,9 A; ACD-53NAV: 999,9 A

** Gemessener Wert < 1000, 5 Stellen zur Genauigkeit hinzufügen.

ACDC-52NAV, ACDC-54NAV		
Funktion	Bereich	Genauigkeit
DC A	99,99 A	$\pm (1,5 \% + 0,2 \text{ A})$
	599,9 A / 999,9 A*	$\pm (1,5 \% + 5 \text{ Stellen})^{**}$
AC A	0,10 A ~ 99,99 A	50 ~ 60 Hz $\pm (1,5 \% + 5 \text{ Stellen})^{**}$
	599,9 A / 999,9 A*	61 ~ 400 Hz $\pm (2 \% + 5 \text{ Stellen})^{**}$
LPF AC A	0,10 A ~ 99,99 A	50 ~ 60 Hz $\pm (1,5 \% + 5 \text{ Stellen})^{**}$
	599,9 A / 999,9 A*	61 ~ 400 Hz $\pm (5 \% + 5 \text{ Stellen})^{**}$

* ACDC-52NAV: 599,9 A; ACDC-54NAV: 999,9 A

** Gemessener Wert < 1000, 5 Stellen zur Genauigkeit hinzufügen.

Überlastschutz: 1000 A eff. Für ACD-53NAV, ACDC-54NAV
600 A eff. Für ACD-50NAV, ACD-51NAV, ACDC-52NAV

Positionsfehler: $\pm 1 \%$ von Messwert.

Wechselstrom-Umwandlungstyp und zusätzliche Genauigkeit ist gleich wie Wechselspannung.

AC+DC A eff. Genauigkeit: Gleich wie ACA-Spez. + DCA-Spez.

- Für bessere Messgenauigkeit von Hochspannung nicht länger als 10 Minuten messen (für ACD-50NAV, ACD-51NAV, ACD-53NAV).
- DC A wird durch Temperatur und Restmagnetisierung beeinflusst.

Die HOLD-Taste mehr als 2 Sekunden gedrückt halten, um zu kompensieren.

(3) Peak Hold Peak max. / Peak min. (Spitzenwert)

ACD-50NAV, ACD-51NAV, ACDC-52NAV		
Funktion	Bereich	Genauigkeit
AC V	140,0 V	$\pm (3,0 \% + 15 \text{ Stellen})$
	1400 V	
AC A	140,0 A	$\pm (3,0 \% + 15 \text{ Stellen})$
	850 A	

ACD-53NAV, ACDC-54NAV		
Funktion	Bereich	Genauigkeit
AC V	140,0 V	$\pm (3,0 \% + 15 \text{ Stellen})$
	1400 V	
AC A	140,0 A	$\pm (3,0 \% + 15 \text{ Stellen})$
	1400 A	

Überlastschutz: 1000 V eff.

600 A eff. für ACD-50NAV, ACD-51NAV, ACDC-52NAV

1000 A eff. für ACD-53NAV, ACDC-54NAV

Genauigkeit definiert für:

Sinusschwingung, ACV > 5 V eff. / ACA ≥ 5 A eff., Freq. 50~400 Hz.

- Nur für repetitive Ereignisse geeignet.

(4) Frequenz

ACD-50NAV, ACD-51NAV, ACDC-52NAV, ACD-53NAV, ACDC-54NAV		
Funktion	Bereich	Genauigkeit
Frequenz	20,00 ~ 99,99 Hz	± (0,5 % + 3 Stellen)
	20,0 ~ 999,99 Hz	
	0,020 ~ 9,999 KHz	

Überlastschutz: 1000 V eff.

600 A eff. für ACD-50NAV, ACD-51NAV, ACDC-52NAV

1000 A eff. für ACD-53NAV, ACDC-54NAV

Empfindlichkeit:

10 ~ 100 V eff. für AC 100 V Bereich

10 ~ 100 A eff. für AC 100 A Bereich (> 400 Hz un spezifiziert)

100 ~ 1000 V eff. für AC 1000 V Bereich

100 ~ 600/1000 A eff. für AC 600 A/1000 A Bereich (> 400 Hz un spezifiziert)

- Messwert ist 0,0 für Signale unterhalb 10,0 Hz.

(5) Oberschwingungsgehalt (THD):

ACD-50NAV, ACD-51NAV, ACDC-52NAV, ACD-53NAV, ACDC-54NAV		
Funktion	Bereich	Genauigkeit
AC A / AC V	99,9 %	± (3,0 % + 10 Stellen)

Messung harmonischer Verzerrung:

ACD-50NAV, ACD-51NAV, ACDC-52NAV, ACD-53NAV, ACDC-54NAV		
Ordnungszahl	Bereich	Genauigkeit
H01 ~ H12	99,9 %	± (5 % + 10 Stellen)
H13 ~ H25		± (10 % + 10 Stellen)

Überlastschutz: 1000 V eff.

600 A eff. Für ACD-50NAV, ACD-51NAV, ACDC-52NAV

1000 A eff. Für ACD-53NAV, ACDC-54NAV

- Wenn ACV < 10 V eff. oder ACA < 10 A eff., wird „rdy“ angezeigt.
- Wenn die Grundschwingungsfrequenz außerhalb des 45 ~ 65 Hz Bereichs liegt, wird „out.F“ angezeigt.

(6) Einschaltstrom:

ACD-50NAV, ACD-51NAV, ACDC-52NAV, ACD-53NAV, ACDC-54NAV		
Funktion	Bereich	Genauigkeit
AC A	99,99 A	± (2,5 % + 0,2 A)
	599,9 A / 999,9 A *	± (2,5 % + 5 Stellen)

* ACD-50NAV, ACD-51NAV, ACDC-52NAV: 599,9 A ACD-53NAV, ACDC-54NAV: 999,9 A

Überlastschutz: 1000 V eff.
 600 A eff. für ACD-50NAV, ACD-51NAV, ACDC-52NAV
 1000 A eff. für ACD-53NAV, ACDC-54NAV

Genauigkeit definiert für:
 Sinusschwingung, ACA \geq 10 A eff., Freq. 50/60 Hz
 - Integrationszeit ca. 100-m-Sekunden

(7) Wirkleistung: Watt (DC/AC)

ACD-50NAV, ACD-51NAV, ACDC-52NAV, ACD-53NAV, ACDC-54NAV		
Funktion	Bereich	Genauigkeit
AC W / DC W	9,999 KW**	A,FehlerxV,Messwert+ V,FehlerxA,Messwert
	99,99 KW	
	599,9 KW / 999,9 KW*	

* ACD-50NAV, ACD-51NAV, ACDC-52NAV: 599,9 KW

ACD-53NAV, ACDC-54NAV: 999,9 KW

** Gemessener Wert < 1.000 kW, 10 Stellen zur Genauigkeit hinzufügen.

Überlastschutz: 1000 V eff.
 600 A eff. für ACD-50NAV, ACD-51NAV, ACDC-52NAV
 1000 A eff. für ACD-53NAV, ACDC-54NAV

Genauigkeit definiert für:
 AC W:
 Sinusschwingung, ACV \geq 10 V eff., ACA \geq 5 A eff.
 Freq. 50 ~ 60 Hz, PF = 1,00
 DCW (nur ACDC-52NAV, ACDC-54NAV):
 DCV \geq 10 V, DCA \geq 5 A

(8) Leistungsfaktor:

ACD-50NAV, ACD-51NAV, ACDC-52NAV, ACD-53NAV, ACDC-54NAV		
Funktion	Bereich	Genauigkeit*
PF	-1,00 ~ 0,00 ~ 1,00	$\pm 3^{\circ} \pm 1$ Stelle

* ACA < 100 A, $\pm 2^{\circ}$ zur Genauigkeit hinzufügen (Für ACD-50NAV, ACD-51NAV, ACD-53NAV)

Überlastschutz: 1000 V eff.
 600 A eff. für ACD-50NAV, ACD-51NAV, ACDC-52NAV
 1000 A eff. für ACD-53NAV, ACDC-54NAV

(9) Widerstand und Kontinuität und Diode:

ACD-50NAV, ACD-51NAV, ACDC-52NAV, ACD-53NAV, ACDC-54NAV		
Funktion	Bereich	Genauigkeit
Widerstand	999,9 Ω	$\pm (1,0 \% + 5 \text{ Stellen})$
	9,999 k Ω	$\pm (1,0 \% + 3 \text{ Stellen})$
	99,99 k Ω	
Kontinuität	999,9 Ω	$\pm (1,0 \% + 5 \text{ Stellen})$
Diode	0,40 ~ 0,80 V	$\pm 0,1 \text{ V}$

Überlastschutz: 1000 V eff.

Max. Prüfstrom: Ca. 0,5 mA.

Max. Leerlaufspannung für Ω , $\mu\Omega$ Ca. 3 V

Max. Leerlaufspannung für Diode: Ca. $\pm 1,8 \text{ V}$

Kontinuitätsprüfung:

Kontinuitätsschwellenwert: < 30 Ohm, Piepser ein.

< 100 Ohm, Piepser aus.

Kontinuitätsanzeiger: 2 KHz-Ton-Summer

(10) Kapazität:

ACD-50NAV, ACD-51NAV, ACDC-52NAV, ACD-53NAV, ACDC-54NAV		
Funktion	Bereich	Genauigkeit
Kapazität	3,999 μF	$\pm (1,9 \% + 8 \text{ Stellen})$
	39,99 μF	
	399,9 μF	
	3999 μF	

Überlastschutz: 1000 V eff.

(11) Temperatur:

ACD-51NAV, ACDC-54NAV		
Funktion	Bereich	Genauigkeit
$^{\circ}\text{C}$	-50 $^{\circ}\text{C}$ ~ 99,9 $^{\circ}\text{C}$	$\pm (1 \% + 2 \text{ }^{\circ}\text{C})$
	100 $^{\circ}\text{C}$ ~ 399,9 $^{\circ}\text{C}$	$\pm (1 \% + 1 \text{ }^{\circ}\text{C})$
	400 $^{\circ}\text{C}$ ~ 1000 $^{\circ}\text{C}$	
$^{\circ}\text{F}$	-58 $^{\circ}\text{F}$ ~ 211,9 $^{\circ}\text{F}$	$\pm (1 \% + 4 \text{ }^{\circ}\text{F})$
	212,0 $^{\circ}\text{F}$ ~ 751,9 $^{\circ}\text{F}$	$\pm (1 \% + 2 \text{ }^{\circ}\text{F})$
	752 $^{\circ}\text{F}$ ~ 1832 $^{\circ}\text{F}$	

Überlastschutz: 1000 V eff.

- Die obige Spezifikation ist bei einer Umgebungstemperaturstabilität von $\pm 1 \text{ }^{\circ}\text{C}$ angenommen. Darüber hinaus muss die Temperatursonde vor der Durchführung der Messung mindestens eine Stunde lang am Messgerät angeschlossen sein.
- Das Messgerät erfordert 2 Stunden für Stabilität bei einer Umgebungstemperaturschwankung von mehr als $\pm 5 \text{ }^{\circ}\text{C}$.

(12) DC μ A:

ACD-51NAV		
Funktion	Bereich	Genauigkeit
DC μ A	999,9 μ ADC	\pm (1,7 % + 2 Stellen)

* < 1000, 3 Stellen zur Genauigkeit hinzufügen.

Überlastschutz: 1000 V eff.

WARTUNG UND REPARATUR

⚠ VORSICHT

Zur Vermeidung von Stromschlag vor dem Öffnen des Gehäuses das Messgerät von jeglichen Schaltkreisen trennen, die Messleitungen von den Eingangsbuchsen abnehmen und das Messgerät AUSSCHALTEN. Das Messgerät nicht mit offenem Gehäuse betreiben. Ausschließlich den gleichen Typ von Batterie (oder gleichwertig) einsetzen.

Fehlerbehebung

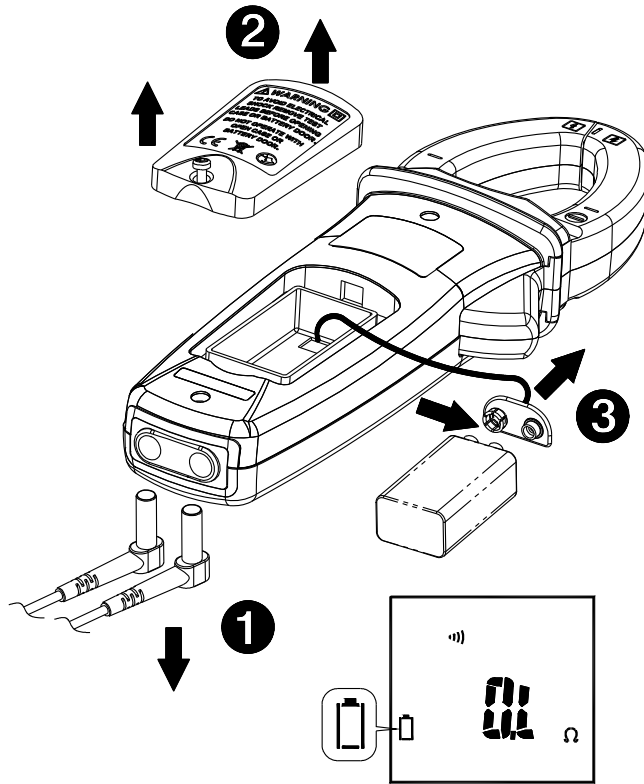
Falls das Messgerät nicht betrieben werden kann, Batterien, Messleitungen usw. prüfen und ggf. ersetzen. Die verwendeten Verfahren gemäß Beschreibung in diesem Handbuch genau prüfen. Falls die Spannungs-Widerstands-Eingangsbuchse des Messgeräts zufällig oder durch abnormale Betriebsbedingungen hohen Spannungsspitzen (verursacht durch Blitzschlag oder Schaltüberspannung) ausgesetzt wurde, reagieren die schmelzbaren Reihenwiderstände (sie werden hochohmig) wie Sicherungen, um den Bediener und das Messgerät zu schützen. Die meisten Messungen über diese Buchse sind dann offene Schaltkreise. Die schmelzbaren Reihenwiderstände und die Funkenstrecken sollten in diesem Fall durch ausgewiesenes Fachpersonal ersetzt werden. Für Garantieansprüche oder Reparaturservice siehe Abschnitt BESCHRÄNKTE GEWÄHRLEISTUNG.

Reinigung und Lagerung

Das Gehäuse von Zeit zu Zeit mit einem feuchten Tuch und mildem Reinigungsmittel abwischen. Keine Scheuer- oder Lösungsmittel verwenden. Wenn das Messgerät 60 Tage oder länger nicht verwendet wird, die Batterie entfernen und getrennt aufbewahren.

Batterieaustausch

1. Die Messleitungen entfernen und das Messgerät ausschalten (OFF).
2. Am Gehäuse die Schraube von der Batteriefachabdeckung losschrauben. Die Batteriefachabdeckung anheben und dadurch das Batteriefach herausheben.
3. Die Batterie (9 V Alkalibatterie, NEDA1604A, JIS6AM6 oder IEC6LF22) austauschen.
4. Die Batteriefachabdeckung wieder anbringen und die Schraube anziehen.



⚠ VORSICHT

Vor dem Öffnen der Batteriefachabdeckung bzw. des Messgerätgehäuses die Messleitungen vom Messgerät entfernen.



ACD-50NAV

Pinza amperometrica AC da 600 A con
tasto multiplo di navigazione

ACD-51NAV

Pinza amperometrica AC a vero valore
efficace da 600 A con tasto multiplo
di navigazione

ACDC-52NAV

Pinza amperometrica AC / DC a vero
valore efficace da 600 A con tasto
multiplo di navigazione

ACD-53NAV

Pinza amperometrica AC a vero valore
efficace da 1000 A con tasto multiplo
di navigazione

ACDC-54NAV

Pinza amperometrica AC / DC a vero valore
efficace da 1000 A con tasto multiplo
di navigazione

Italiano

Manuale d'uso

7/2013, Rev. 2
©2013 Amprobe Test Tools.
Tutti i diritti riservati. Stampato in Taiwan.

Garanzia limitata e limitazione di responsabilità

Questo prodotto Amprobe sarà esente da difetti di materiale e fabbricazione per un anno a decorrere dalla data di acquisto. Sono esclusi da questa garanzia i fusibili, le pile monouso e i danni causati da incidenti, negligenza, uso improprio, alterazione, contaminazione o condizioni anomale di funzionamento o manipolazione. I rivenditori non sono autorizzati a offrire nessun'altra garanzia a nome della Amprobe. Per richiedere un intervento durante il periodo di garanzia, restituire il prodotto, allegando la ricevuta di acquisto, a un centro di assistenza autorizzato Amprobe Test Tools oppure a un rivenditore o distributore Amprobe locale. Per ulteriori informazioni vedere la sezione Riparazioni. QUESTA GARANZIA È IL SOLO RICORSO A DISPOSIZIONE DELL'ACQUIRENTE E SOSTITUISCE QUALSIASI ALTRA GARANZIA, ESPRESSA, IMPLICITA O PREVISTA DALLA LEGGE, COMPRESA, MA NON A TITOLO ESCLUSIVO, QUALSIASI GARANZIA IMPLICITA DI COMMERCIALIZZABILITÀ O DI IDONEITÀ PER SCOPI PARTICOLARI. IL PRODUTTORE NON SARÀ RESPONSABILE DI DANNI O PERDITE SPECIALI, INDIRETTI O ACCIDENTALI, DERIVANTI DA QUALSIASI CAUSA O TEORIA. Poiché alcuni stati o Paesi non permettono l'esclusione o la limitazione di una garanzia implicita o di danni accidentali o indiretti, questa limitazione di responsabilità potrebbe non riguardare l'acquirente.

Riparazioni

A tutti gli strumenti di misura restituiti per interventi in garanzia o non coperti dalla garanzia oppure per la taratura, devono essere allegate le seguenti informazioni: il proprio nome e quello dell'azienda, indirizzo, numero telefonico e ricevuta di acquisto. Allegare anche una breve descrizione del problema o dell'intervento richiesto e i cavi di misura. Gli importi dovuti per sostituzioni o riparazioni non coperte dalla garanzia vanno versati tramite assegno, vaglia bancario, carta di credito con data di scadenza, oppure ordine di acquisto all'ordine di Amprobe® Test Tools.

Sostituzioni e riparazioni in garanzia – Tutti i Paesi

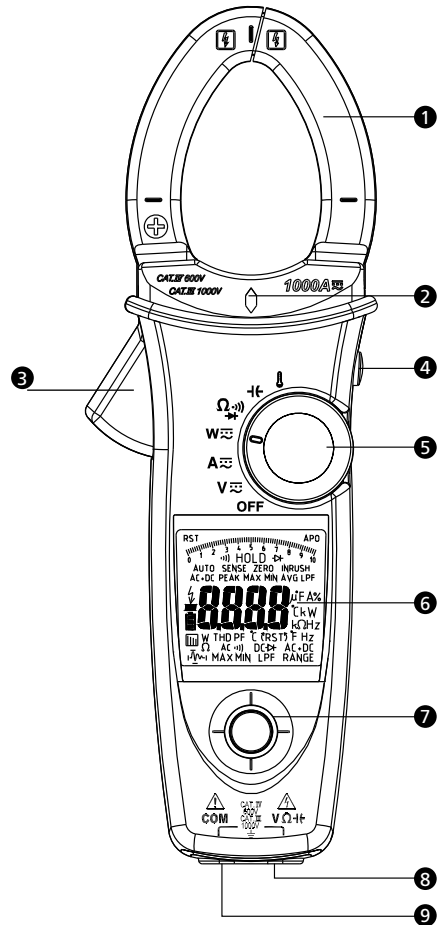
Leggere la garanzia e controllare la batteria prima di richiedere una riparazione. Durante il periodo di garanzia, si può restituire uno strumento difettoso al rivenditore Amprobe® Test Tools per ricevere un prodotto identico o analogo. Nella sezione

Negli Stati Uniti e nel Canada gli strumenti da sostituire o riparare in garanzia possono essere inviati anche a un centro di assistenza Amprobe® Test Tools (l'indirizzo è più avanti).

Sostituzioni e riparazioni non coperte dalla garanzia – Stati Uniti e Canada

Negli Stati Uniti e nel Canada gli strumenti da sostituire o riparare, non coperti da garanzia, devono essere inviati a un centro di assistenza Amprobe® Test Tools. Rivolgersi alla Amprobe® Test Tools o al rivenditore per informazioni sui costi delle riparazioni e sostituzioni.

ACD-50 Serie CAT IV Pinze amperometriche con tasto multiplo di navigazione







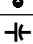
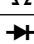
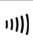
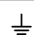



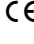





- ① Ganasce
- ② Spia rilevazione tensione
- ③ Pulsante di apertura ganasce
- ④ Pulsante Tenuta dati / azzeramento A DC
- ⑤ Selettore rotativo
- ⑥ Display
- ⑦ Tasto multiplo di navigazione
- ⑧ Ingresso V / Ω / Hz
- ⑨ Ingresso comune

INDICE

SIMBOLI	1
DISIMBALLAGGIO E ISPEZIONE	2
CARATTERISTICHE	2
FUNZIONAMENTO	3
Esecuzione di misure base	4
Misure di tensione	5
Misure di corrente.....	6
Modalità Auto Sense (Rilevazione automatica).....	7
Tenuta del picco	7
Corrente di spunto.....	8
Azzeramento della corrente DC.....	9
Misure di frequenze.....	9
MAX/MIN/AVG.....	9
Misure di distorsione armonica totale (THD)	10
LPF (filtro passa basso).....	11
Misure di potenza attiva (W) / fattore di potenza (PF)	12
Rotazione delle fasi	14
Misure di resistenza	15
Misure di capacità	16
Misure di temperatura °C / °F.....	17
Misure di corrente in μA	18
Selezione AUTOMATICA/MANUALE della portata.....	19
Pulsante TENUTA.....	19
Rilevazione di tensione.....	20
Segnale acustico.....	20
Opzioni all'accensione	20
Visualizzazione dello stato di carica della pila.....	20
DATI TECNICI	21
MANUTENZIONE E RIPARAZIONI	27
Soluzione dei problemi.....	27
Pulizia e immagazzinaggio	27
Sostituzione della pila	27

SIMBOLI

	Attenzione! Rischio di scossa elettrica.		Attenzione! Vedere la spiegazione nel manuale.
	Permessa l'applicazione su conduttori pericolosi sotto tensione e la rimozione dagli stessi.		Apparecchio protetto da isolamento doppio o rinforzato
	Corrente alternata (AC)		Corrente continua (DC)
	Misure di temperatura		Misure di resistenza
	Misure di capacità		Misure su diodi
	Segnale acustico di continuità		Terra (massa)
	Per avvisare della presenza di tensioni pericolose, quando lo strumento rileva una tensione ≥ 30 V o un sovraccarico di tensione (OL) in V, visualizza questo simbolo.		Conforme alle direttive della Comunità Europea
	Conforme alle norme australiane di pertinenza		Batteria
	Non smaltire questo prodotto assieme ad altri rifiuti solidi non differenziati. Rivolgersi a una ditta di riciclaggio qualificata.		

Informazioni sulla sicurezza

- L'apparecchiatura di protezione individuale deve essere utilizzata se alcune parti PERICOLOSE IN TENSIONE dell'impianto in cui deve essere effettuata la misurazione sono ACCESSIBILI.
- Il presente manuale contiene informazioni e avvertenze che devono essere seguite scrupolosamente per usare lo strumento in sicurezza e mantenerlo in condizioni di funzionamento sicure. Usando lo strumento in modo diverso da come specificato dal produttore si rischia di comprometterne la protezione interna.
- Lo strumento va adoperato solo in locali chiusi.
- La protezione per l'utente offerta dallo strumento è a isolamento doppio a norma IEC/EN 61010-1 3rd Ed., Categoria III 1000 volt AC e DC e Categoria IV 600 volt AC e DC.
- Scollegare i cavi di misura dai punti di misura prima di cambiare funzione con il selettore rotativo.
- Mai collegare un generatore di tensione mentre il selettore rotativo è nella posizione Ω , $\text{--}\text{+}$, $\text{--}\text{+}$ o μA .
- Non esporre lo strumento a temperature estreme o alta umidità.
- Mai selezionare la funzione Ω , $\text{--}\text{+}$, $\text{--}\text{+}$ o μA per misurare la tensione di un circuito di alimentazione di un dispositivo; si potrebbero danneggiare lo strumento e il dispositivo in prova.

Categoria di misura:

V: Categoria III 1000 volt AC e DC, e Categoria IV 600 volt AC e DC.

A: Categoria III 1000 volt AC e DC, e Categoria IV 600 volt AC e DC.

Categoria di misura a norma IEC61010-1 3rd Ed.

La **Categoria IV (CAT IV)** si riferisce a misure eseguite all'origine di impianti a bassa tensione. Esempi di tali apparecchi: contatori elettrici, apparecchi primari di protezione contro sovracorrenti e apparecchi di regolazione delle ondulazioni.

La **Categoria III (CAT III)** si riferisce a misure eseguite su impianti di edifici. Esempi di tali dispositivi: schede di distribuzione, interruttori automatici, cavi, barre di distribuzione, cassette di giunzione, commutatori, prese di corrente in impianti fissi, apparecchi per usi industriali e alcuni altri apparecchi, ad esempio motori stazionari con connessione permanente all'impianto fisso.

⚠ AVVERTENZA

Per ridurre il rischio di incendio o scosse elettriche, non esporre lo strumento alla pioggia o all'umidità. Per prevenire scosse elettriche, osservare le precauzioni appropriate quando si lavora con tensioni maggiori di 60 V a corrente continua o 30 V (valore efficace) a corrente alternata. Questi livelli di tensione sono pericolosi. Non toccare i puntali dei cavi di misura né il circuito di misura mentre questo è alimentato. Durante le misure, tenere le dita dietro le apposite protezioni sui cavi di misura. Prima di usare lo strumento, ispezionare i cavi di misura, i connettori e le sonde per rilevare eventuali danni all'isolamento o metallo esposto. Se si riscontrano difetti, rimediare immediatamente. Usare solo i cavi di misura acclusi o sostituirli con cavi di valori nominali uguali o migliori.

DISIMBALLAGGIO E ISPEZIONE

La confezione deve contenere:

- 1 Pinza amperometrica
- 1 Set di cavi di misura (2)
- 1 Sonda e adattatore di temperatura (solo i modelli ACD-51NAV e ACDC-54NAV)
- 1 Manuale d'uso
- 1 Custodia da trasporto
- 1 Pila da 9 V (già installata)

Se uno di questi articoli è danneggiato o manca, restituire l'intera confezione al punto di acquisto perché venga sostituita.

CARATTERISTICHE

- Misure a vero valore efficace
- Misure di:
 - o tensione fino a 1000 V AC/DC, resistenza, frequenza, distorsione armonica totale (THD) e armoniche individuali da 1 a 25, potenza, fattore di potenza
 - o corrente alternata
 - Fino a 600 A (ACD-50NAV, ACD-51NAV, ACDC-52NAV)
 - Fino a 1000 A (ACD-53NAV, ACDC-54NAV)

o corrente continua

- Fino a 600 A (ACDC-52NAV)
- Fino a 1000 A (ACDC-54NAV)

o capacità

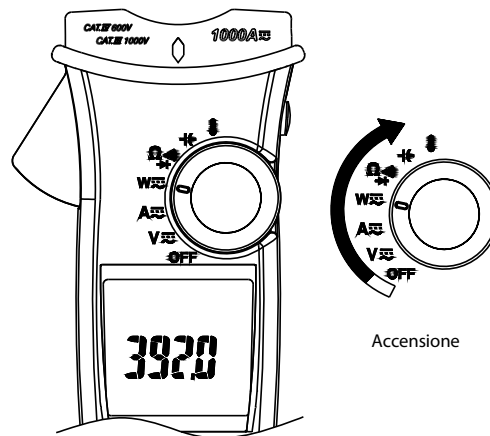
o temperatura in °C / °F (solo i modelli ACD-51NAV, ACDC-54NAV) -
Sonda e adattatore di temperatura inclusi

o microampere DC (solo il modello ACD-51NAV)

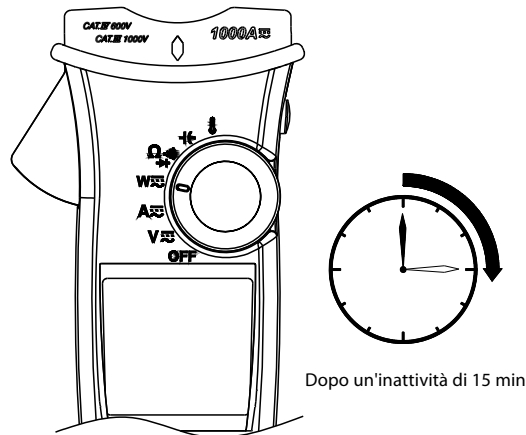
- Indicazione della rotazione di fase
- Rivelazione di tensione senza contatto
- Misure della corrente di spunto di motori elettrici
- Filtro passa basso per comandi a frequenza variabile
- Segnale acustico di continuità
- Min, max e tenuta dati intelligente
- Tenuta del picco
- Spia luminosa automatica durante l'uso delle ganasce
- Grande display a 10.000 conteggi con retroilluminazione attiva e diagramma a barre analogico
- Spegnimento automatico
- Apertura massima delle ganasce: 45 mm
- A prova di caduta sino a un'altezza di 1,2 metri.
- È inclusa una custodia da trasporto di lusso
- Sicurezza a norma CAT IV 600 V, CAT III 1000 V

FUNZIONAMENTO

Accensione / spegnimento



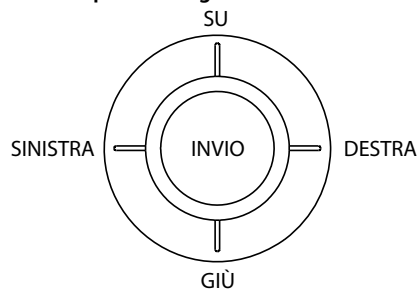
Spegnimento automatico



Per riaccendere lo strumento, girare il selettore su una qualsiasi posizione diversa da OFF.

Disattivazione della funzione di spegnimento automatico (APO): premere il tasto "Giù" del tasto multiplo di navigazione mentre si gira il selettore su una qualsiasi posizione diversa da OFF.

Tasto multiplo di navigazione



Ha cinque tasti; selezionare la funzione desiderata facendo clic sul tasto corrispondente.

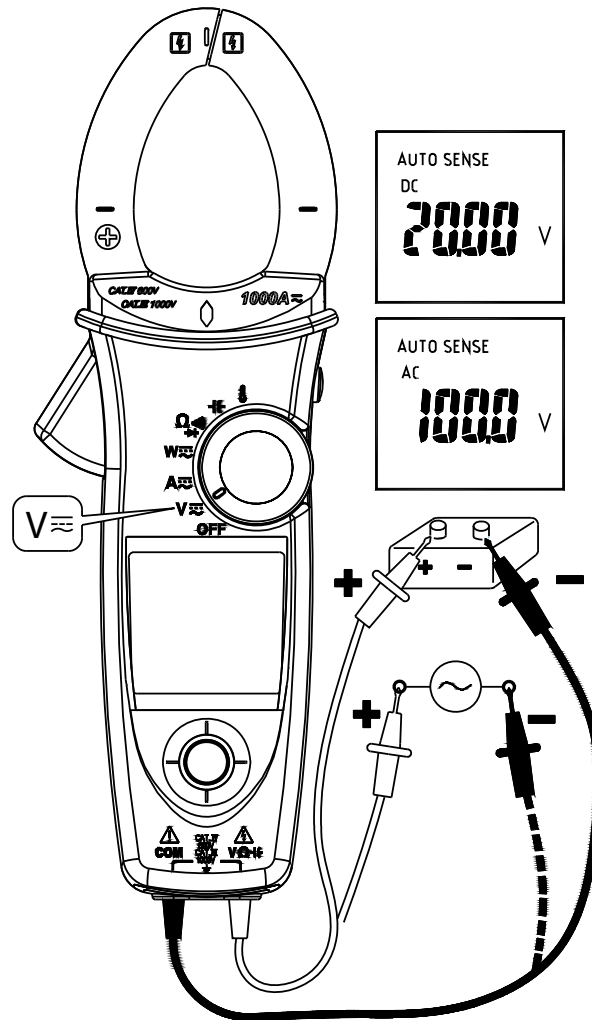
Esecuzione di misure base

⚠ ATTENZIONE

Prima e dopo misure di alte tensioni, provare la funzione misure di tensioni su una sorgente nota, come una tensione di linea, per accertarsi che lo strumento funzioni correttamente.

Quando si collegano i cavi di misura al dispositivo in prova, collegare il cavo comune prima di quello sotto tensione; quando si rimuovono i cavi, rimuovere il cavo sotto tensione prima di quello comune.

Misure di tensione

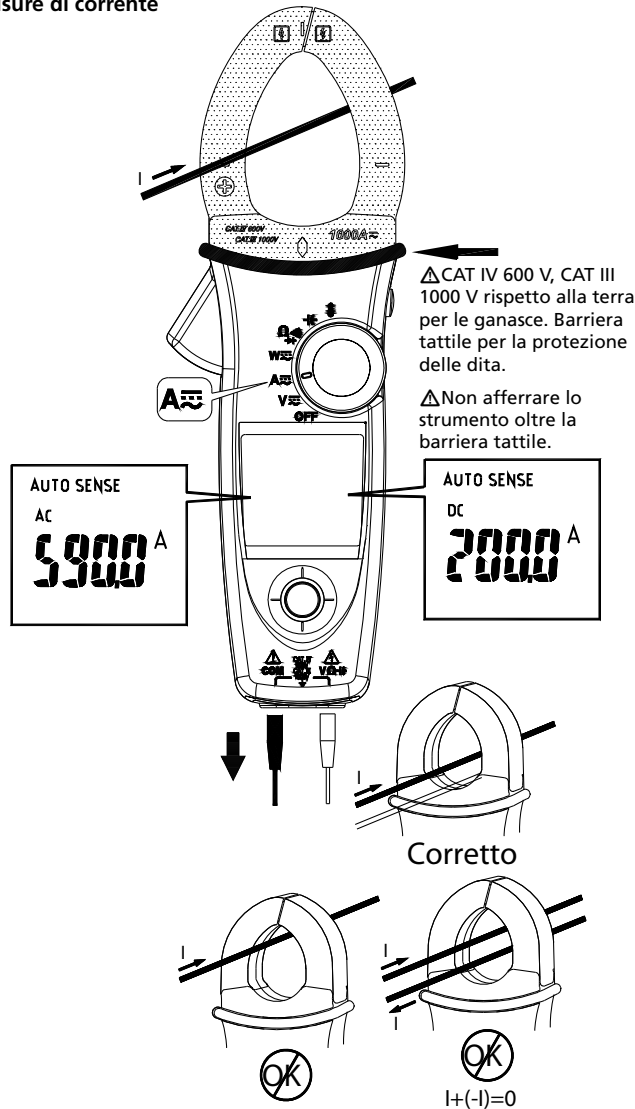


⚠ AVVERTENZA

Per prevenire scosse elettriche, pericoli o danni allo strumento, non tentare di eseguire misure che potrebbero superare 1.000 V DC o AC efficaci (rms). Non applicare più di 1.000 V DC o AC rms ai terminali di ingresso.

Nota – Se la tensione misurata è maggiore di 30 V DC o AC rms, il display mostra il simbolo "⚡".

Misure di corrente



- Non circondare con le ganasce nessun conduttore mentre si accende lo strumento.
- I modelli ACD-50NAV, ACD-51NAV e ACD-53NAV permettono di eseguire solo misure di corrente AC.
- Quando si circonda un conduttore con le ganasce, si accende una spia.

⚠ ATTENZIONE

Non eseguire misure di corrente con le ganasce quando la sonda di temperatura è collegata allo strumento.

Modalità AUTO SENSE (RILEVAZIONE AUTOMATICA)

Il risultato della misura viene visualizzato come solo AC con il valore rms o come valore DC, a seconda di quale sia maggiore.

Modalità AC: solo AC con il valore rms.

Modalità DC: valore DC.

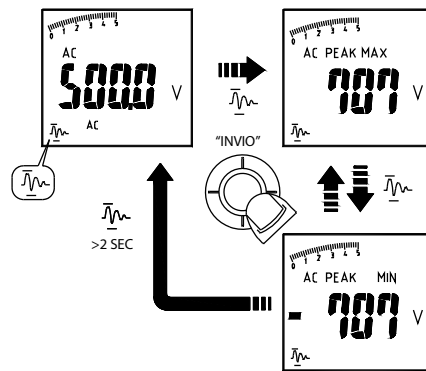
Modalità AC+DC: valore rms AC+DC.

Nota:

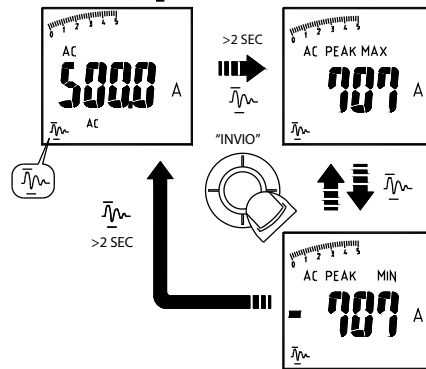
- Selezionare l'indicatore "AC", "DC" o "AC+DC", quindi premere il tasto multiplo di navigazione per andare alla modalità AC/DC/AC+DC.
- Selezionare l'indicatore "AC", "DC" o "AC+DC", quindi premere il tasto multiplo di navigazione per più di due secondi per ritornare alla modalità AUTO SENSE.

TENUTA DEL PICCO \bar{V} (solo modalità AC)

1. Nella modalità misure di tensione AC, selezionare l'indicatore " \bar{V} " sul display per andare alla modalità di TENUTA DEL PICCO. Per uscire dalla modalità di TENUTA DEL PICCO, tenere premuto il tasto multiplo di navigazione per più di due secondi.



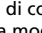
2. Nella modalità misure di corrente AC, selezionare l'indicatore " \bar{A} ", quindi premere il tasto multiplo di navigazione per più di due secondi per ritornare alla modalità di TENUTA DEL PICCO. Per uscire dalla modalità di TENUTA DEL PICCO, tenere premuto il tasto multiplo di navigazione per più di due secondi per ritornare all'indicatore " \bar{A} ".

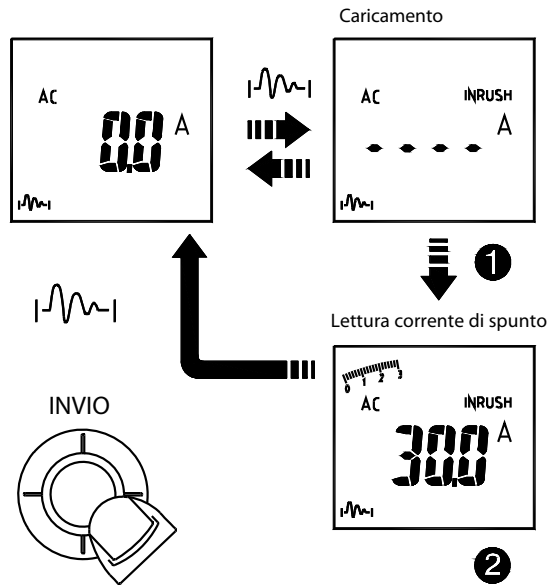
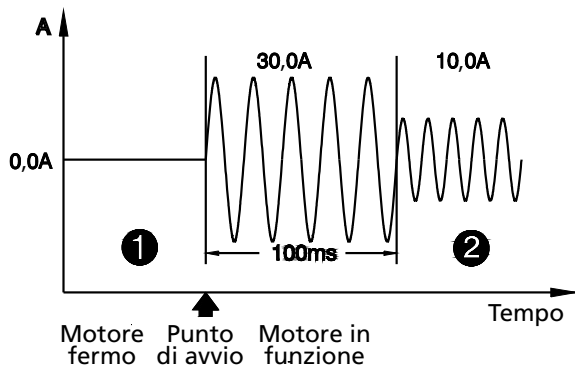


Nella modalità di TENUTA DEL PICCO, lo strumento salva sia il valore di picco positivo sia quello negativo. Il valore del picco positivo è visualizzato nella modalità PEAK MAX. Il valore del picco negativo è visualizzato nella modalità PEAK MIN.

Corrente di spunto  (solo modalità AC)

Se la corrente di spunto da misurare potrebbe essere maggiore di 100 A CA, selezionare la portata di 600 A / 1000 A prima di attivare la corrente di spunto.

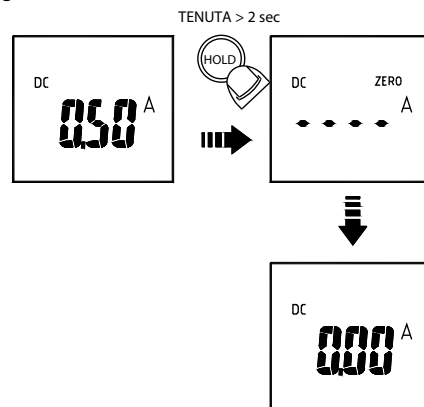
Nella modalità misure di corrente CA, selezionare l'indicatore "" sul display per andare alla modalità di misura della corrente di spunto. Per uscire dalla modalità di misura della corrente di spunto, premere di nuovo il tasto multiplo di navigazione.



Azzeramento della corrente DC (solo i modelli ACDC-52NAV, ACDC-54NAV)

Non circondare il conduttore con le ganasce.

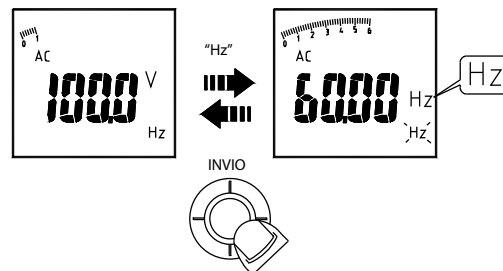
Premere il pulsante TENUITA per oltre due secondi per compensare il magnetismo residuo.



- L'azzeramento della corrente DC è possibile solo nella modalità Auto Sense, DC o AC+DC.

Misure di frequenze (solo modalità AC)

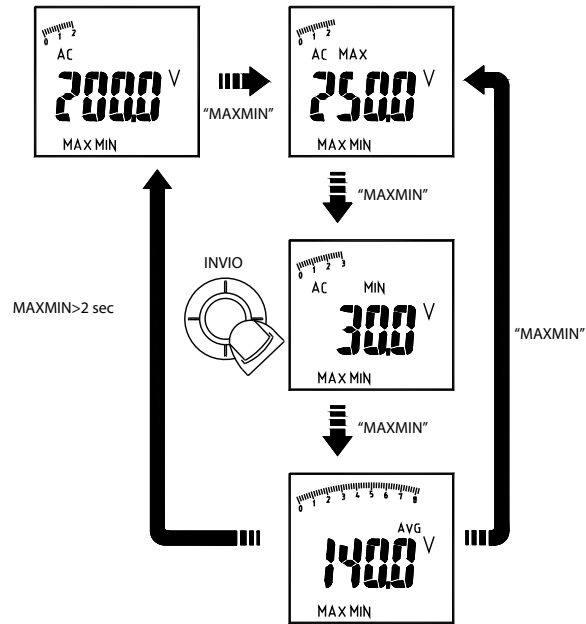
Selezionare l'indicatore "Hz", quindi premere il tasto multiplo di navigazione per andare alla modalità misure di frequenze o uscirne.



MAX/MIN/AVG

Selezionare l'indicatore "MAX MIN", quindi premere il tasto multiplo di navigazione per andare alla modalità MAX/MIN/AVG. Per uscire dalla modalità MAX/MIN/AVG, tenere premuto il tasto multiplo di navigazione per più di due secondi.

Nella modalità MAX/MIN/AVG, lo strumento registra i valori d'ingresso minimo e massimo. Quando l'ingresso va sotto il valore minimo o sopra il valore massimo registrato, viene registrato il nuovo valore. Nella modalità MAX/MIN/AVG lo strumento calcola anche la media dei valori massimo e minimo.

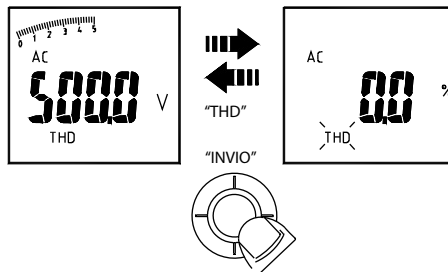


Nota:

- Premere il pulsante TENUTA nella modalità MAX MIN per far sì che lo strumento cessi di aggiornare i valori massimo e minimo. Se la modalità di TENUTA è attivata nella modalità MAX MIN, deve essere disattivata prima della modalità MAX MIN.

Misure di distorsione armonica totale (THD) (solo modalità AC)

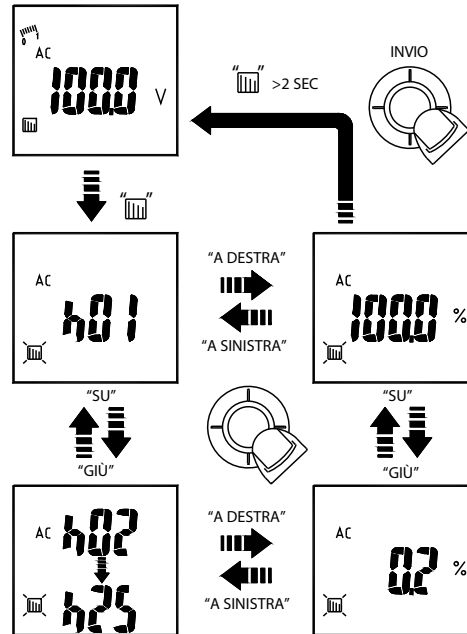
Selezionare l'indicatore "THD", quindi premere il tasto multiplo di navigazione per andare alla modalità misure di THD. THD-F = (Valore efficace di tutte le armoniche / Valore efficace della fondamentale) x 100% (armoniche fino alla venticinquesima)



Misure di armoniche individuali (solo modalità AC)

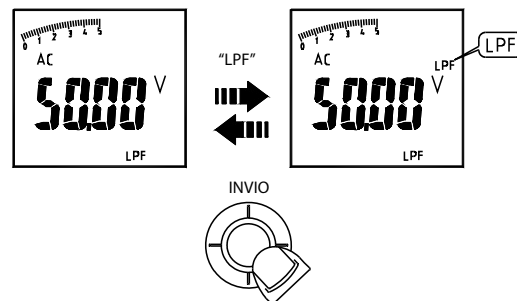
Selezionare l'indicatore "Hn", quindi premere il tasto multiplo di navigazione per andare alla modalità misure di armoniche individuali. Per uscire dalla modalità misure di armoniche individuali, tenere premuto il tasto multiplo di navigazione per più di due secondi.

$H_n = (\text{Valore efficace dell'armonica individuale} / \text{Valore efficace della fondamentale}) \times 100\%$



LPF (filtro passa basso) (solo modalità AC)

Selezionare l'indicatore "LPF", quindi premere il tasto multiplo di navigazione per eliminare il rumore ad alta frequenza.



Nota: le modalità di tenuta del picco, misure di corrente di spunto, di TDH, di frequenza, di armoniche individuali e LPF sono disponibili solo nella modalità AC.

Misure di potenza attiva (W) / fattore di potenza (PF)

1. Misure di potenza monofase

1. Girare il selettore nella posizione "W".
2. Collegare il cavo di misura rosso al conduttore di fase e il cavo di misura nero al neutro.
3. Premere il pulsante di apertura delle ganasce e circondare un solo conduttore, accertandosi che le ganasce siano chiuse bene intorno al conduttore stesso.
4. Usare il tasto multiplo di navigazione per scegliere la modalità "W/PF".

Nota:

- Il simbolo "+" sulla ganascia deve essere rivolto verso l'alimentazione.
- Nella modalità di rilevazione automatica, lo strumento visualizza ACW/DCW a seconda se viene rilevata o no corrente alternata.
- I modelli ACD-50NAV, ACD-51NAV e ACD-53NAV permettono di eseguire solo misure di corrente AC.

Indicazione di potenza attiva:

Nessun segno: significa che il senso della corrente è dall'alimentazione al carico.

Segno "_": indica che il senso della corrente è dal carico all'alimentazione.

Indicazione del fattore di potenza:

Nessun segno: significa che il segnale di corrente è in ritardo rispetto al segnale di tensione (carico induttivo).

Segno "_": indica che il segnale di corrente è in anticipo rispetto al segnale di tensione (carico capacitivo).

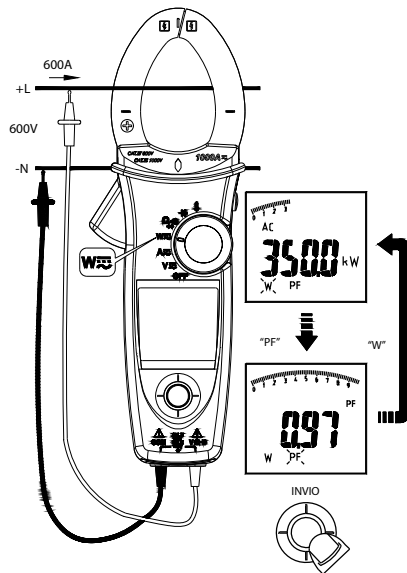
Visualizzazione di sovrappotenza:

OL.U: sovraccarico di tensione.

OL.A: sovraccarico di corrente.

OL.UA: sovraccarico sia di tensione che di corrente.

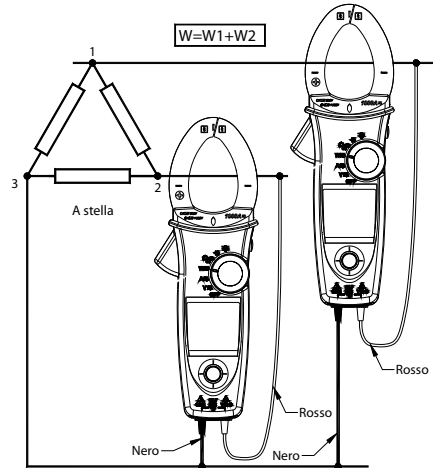
± OL kW: Potenza attiva > 1000 kW o < -1000 kW.



2. Misure di potenza trifase

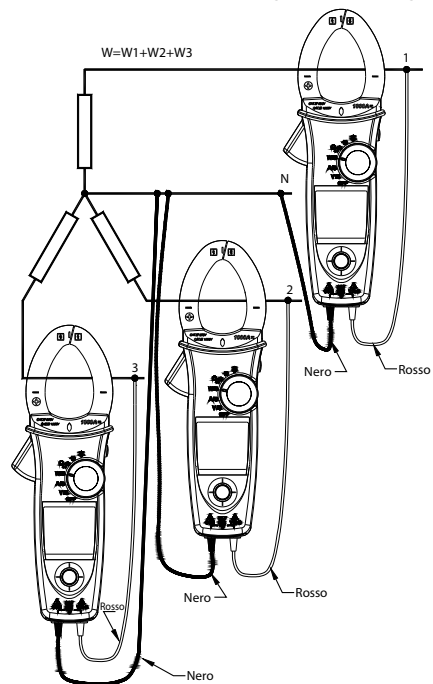
A. Trifase a 3 fili bilanciato / sbilanciato

1. Girare il selettore nella posizione "W".
2. Usare il tasto multiplo di navigazione per scegliere la modalità "W".

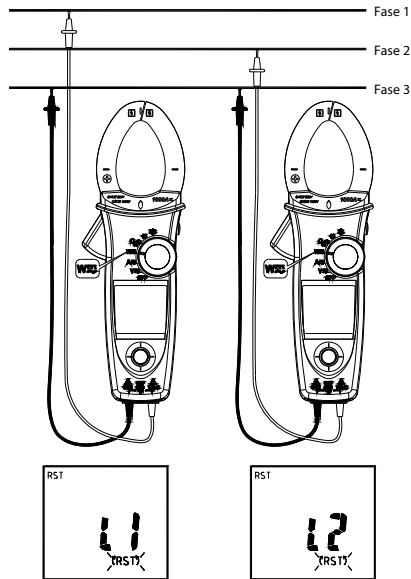


B. Trifase a 4 fili bilanciato / sbilanciato

1. Girare il selettore nella posizione "W".
2. Usare il tasto multiplo di navigazione per scegliere la modalità "W".



Rotazione delle fasi



Nota:

- Collegare il circuito trifase di alimentazione come illustrato sopra.
- La misura può essere eseguita solo se la frequenza dell'impianto è stabile.
 1. Girare il selettore nella posizione "W".
 2. Usare il tasto multiplio di navigazione per scegliere la modalità "RST".
 3. Collegare il cavo di misura rosso e quello nero a qualsiasi conduttore di fase (ad esempio, il cavo rosso al conduttore della fase 1 e il cavo nero al conduttore della fase 3).

Nota: se si verifica una delle seguenti condizioni, lo strumento non è in grado di determinare la fase.

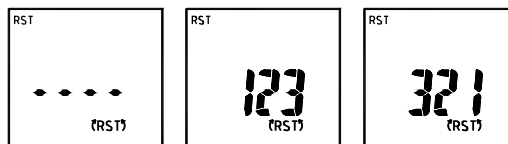
Sullo schermo compare "OLU" lampeggiante: tensione > 1000 V

Sullo schermo compare "LoU" lampeggiante: tensione < 30 V

Sullo schermo compare "outF" lampeggiante: frequenza > 65 Hz o < 45 Hz

4. Se viene emesso due volte il segnale acustico, collegare uno dei cavi di misura a un altro conduttore di fase entro tre secondi.

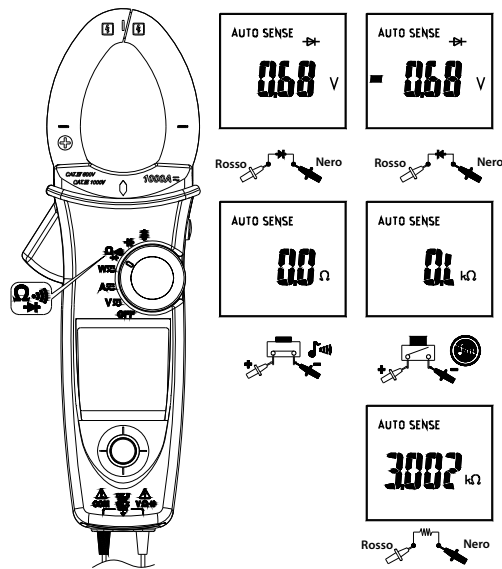
Il display mostra il risultato come segue:



- a) Se compare "1 2 3", la sequenza delle fasi è diretta.
- b) Se compare "3 2 1", la sequenza delle fasi è inversa.

- c) Se compare “- - - -”, lo strumento non è in grado di determinare la sequenza delle fasi.
- d) Se compare “LoU”, è possibile che siano stati rimossi i cavi di misura prima che lo strumento completasse la misura.
5. Per ripetere la misura, usare il tasto multiplo di navigazione e scegliere di nuovo la modalità “RS17”.

Misure di resistenza



⚠ ATTENZIONE

- Per prevenire danni allo strumento o al dispositivo in prova, prima di eseguire una misura di resistenza o una prova di continuità di un diodo, scollegare l'alimentazione dal circuito e scaricare tutti i condensatori ad alta tensione.

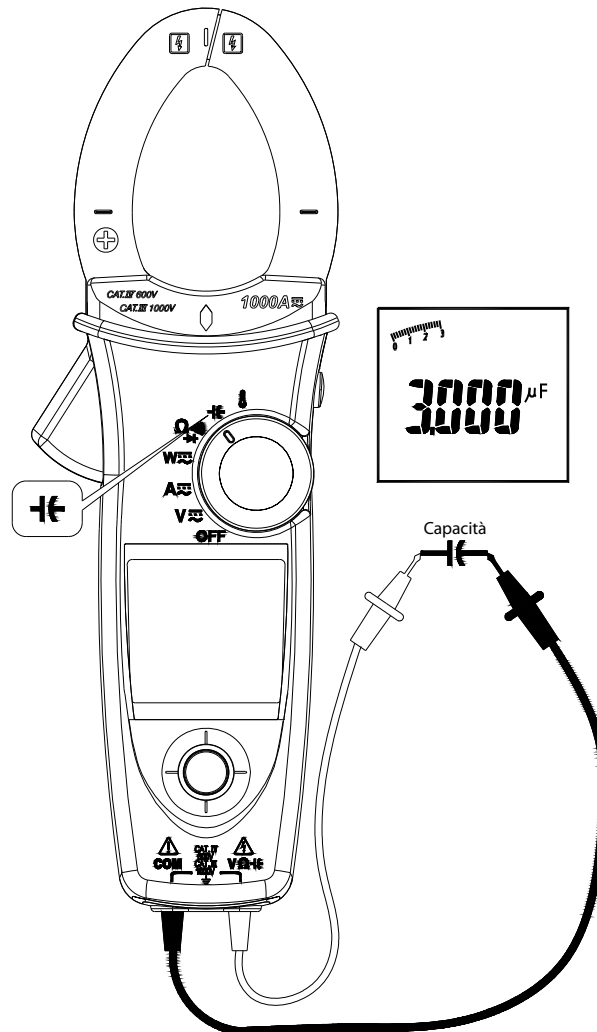
Nota:

- Selezionare l'indicatore $\Omega / \text{M}\Omega / \text{A}$, quindi premere il tasto multiplo di navigazione per andare alla modalità $\Omega / \text{M}\Omega / \text{A}$.
- Selezionare l'indicatore $\Omega / \text{M}\Omega / \text{A}$, quindi premere il tasto multiplo di navigazione per più di due secondi per ritornare alla modalità AUTO SENSE.

Nota: nella modalità di prova della continuità di diodi, se il display mostra “bad”, è possibile che il diodo sia danneggiato.

Misure di capacità

Girare il selettore nella posizione "☉".



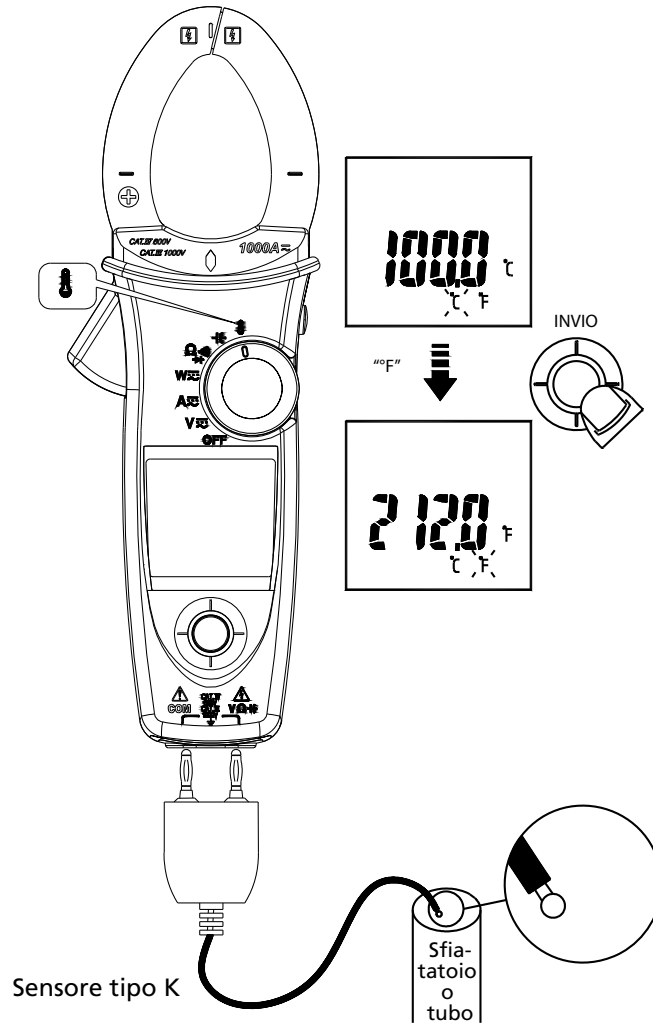
⚠ ATTENZIONE

Per prevenire danni allo strumento o al dispositivo in prova, prima di eseguire una misura di capacità, scollegare l'alimentazione dal circuito e scaricare tutti i condensatori ad alta tensione. Usare la funzione misure di tensione DC per verificare che il condensatore sia scarico.

Nota: lo strumento visualizza "diSC" durante la scarica del condensatore.

Misure di temperatura °C / °F
(solo i modelli ACD-51NAV e ACDC-54NAV)

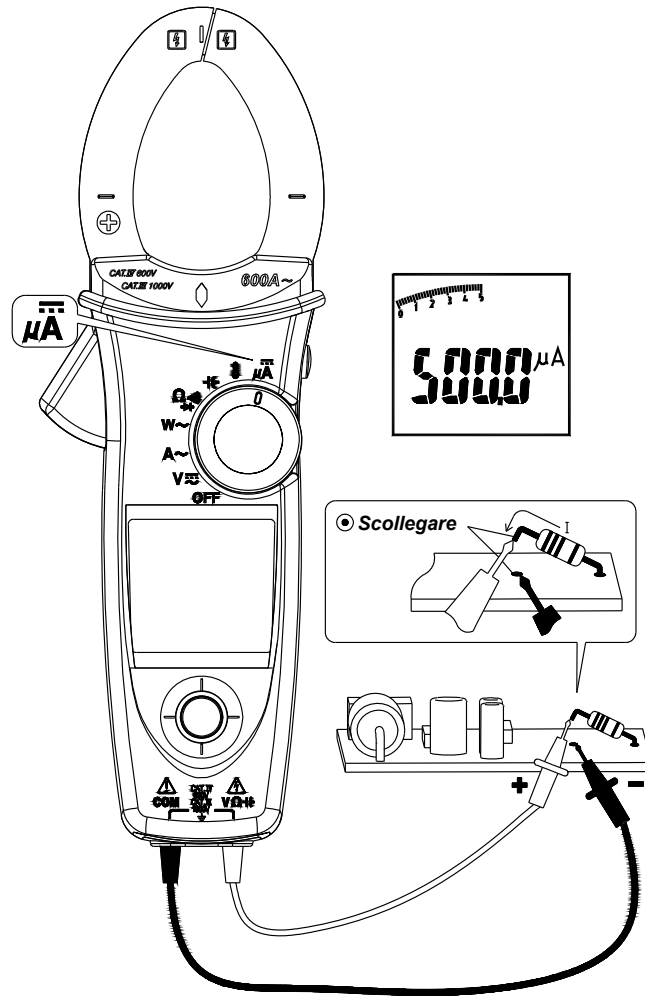
Girare il selettore nella posizione "°C".



Non eseguire nessuna misura di alta tensione prima di avere eseguito misure °C/°F precise.

Misure di corrente in μA (solo il modello ACD-51NAV)

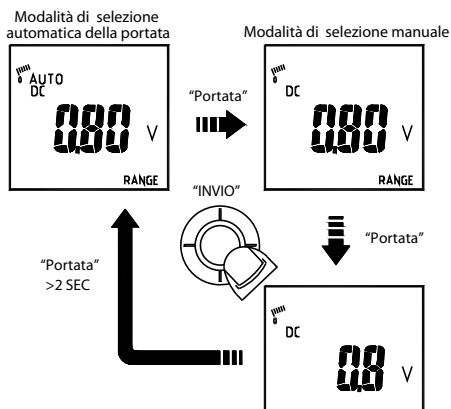
Girare il selettore nella posizione μA .



Altre funzioni:

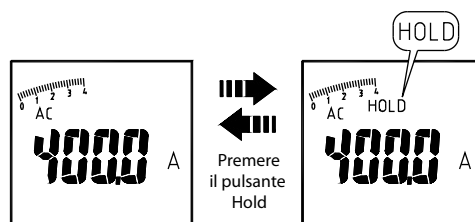
Selezione AUTOMATICA/MANUALE della portata

Selezionare l'indicatore "RANGE", quindi premere il tasto multiplo di navigazione per andare alla modalità di selezione manuale della portata. Per ritornare alla modalità di selezione automatica della portata, tenere premuto il tasto multiplo di navigazione per più di due secondi.



Pulsante TENUTA

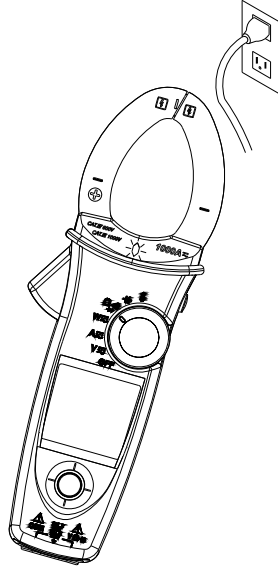
Premere il pulsante TENUTA per fermare la lettura visualizzata.



TENUTA INTELLIGENTE: lo strumento emette un segnale acustico continuo e il display lampeggia se il segnale misurato è maggiore della lettura visualizzabile (per la funzione V.A.W).

Rilevazione di tensione

Il LED a forma di rombo si illumina se tramite le ganasce viene rilevato un campo elettrico.



Segnale acustico

Lo strumento emette un bip ogni volta che si preme un tasto valido, due bip se si preme un tasto non valido.

Opzioni all'accensione

Premere uno dei seguenti tasti mentre si gira il selettore su una qualsiasi posizione diversa da OFF.

Tasto multiplo di navigazione Su: visualizzazione della versione del software.

Tasto multiplo di navigazione Giù: disattivazione della funzione di spegnimento automatico.

Tasto multiplo di navigazione A sinistra: disattivazione della retroilluminazione attiva.

Pulsante TENUTA: visualizza tutti i simboli del display per circa 10 secondi.

Visualizzazione dello stato di carica della pila

Un apposito indicatore mostra lo stato di carica della pila.

Stato di carica della pila	Descrizione
	Pila completamente carica
	Pila a 2/3 della carica massima
	Pila a 1/3 della carica massima
	Per evitare false letture, sostituire la pila non appena si visualizza l'indicatore di bassa carica.

Per la sostituzione della batteria consultare la sezione MANUTENZIONE E RIPARAZIONI.

DATI TECNICI


Dati tecnici generali

Conteggi sul display: 10000 o 4000.

Frequenza di misura: 3 volte al secondo.

Visualizzazione di sovrapposizione: "OL" o "-OL".

Spegnimento automatico: dopo circa 15 minuti.

Indicatore di bassa carica della pila: compare il simbolo . Sostituire la pila quando il display mostra questo simbolo.

Alimentazione: pila da 9 V .

Durata della pila: 50 ore con una pila alcalina da 9 V (senza retroilluminazione).

Condizioni ambientali

Uso al coperto

Taratura: ciclo di taratura di un anno.

Temperatura di funzionamento: 0 °C ~ 10 °C
11 °C ~ 30 °C (≅ 80% di umidità relativa)
30 °C ~ 40 °C (≅ 75% di umidità relativa)
40 °C ~ 50 °C (≅ 45% di umidità relativa)

Temperatura di immagazzinaggio: da -10 a 50 °C per misure di corrente,
da -20 a 60 °C per altre funzioni,
da 0 a 80% di umidità relativa (senza pila).

Coefficiente di temperatura: 0,2 x (precisione specificata) / °C, < 18 °C,
> 28 °C.

Categoria di sovratensione: CAT IV 600 V, CAT III 1000 V

CAT	Campo di applicazione
I	I circuiti non sono collegati alla rete.
II	I circuiti sono collegati direttamente a un impianto a bassa tensione.
III	Impianto dell'edificio.
IV	Generatore dell'impianto a bassa tensione.

Direttive CENELEC: lo strumento è conforme a CENELEC Direttiva di bassa tensione 2006/95/CE e Direttiva di compatibilità elettromagnetica 2004/108/CE.

Conformità di sicurezza:

- IEC/EN 61010-1 Ed. 3.0, UL 61010-1(2nd Ed.), CAN/CSA-C22.2 No.61010-1-04 per categoria di misurazione III 600 V, grado di inquinamento 2
- IEC/EN 61010-2-030
- IEC/EN 61010-2-032, CAN/CSA-C22.2 N. 61010-2-032-04
- IEC/EN 61010-031 (cavi di misura)

EMC: conforme a tutti i requisiti applicabili in IEC/EN 61326-1

Altitudine di funzionamento: fino a 2000 m.

Diametro dei conduttori:

37 mm per i modelli ACD-50NAV, ACD-51NAV, ACDC-52NAV
42 mm per i modelli ACD-53NAV, ACDC-54NAV

Urti e vibrazioni: Vibrazioni sinusoidali in conformità alla norma MIL-T-28800E (da 5 a 55 Hz, 3 g max).

Protezione da cadute: 120 cm su pavimento di legno o cemento.

Dati tecnici elettrici

Precisione: \pm (% lettura + numero di cifre) a $23\text{ }^{\circ}\text{C} \pm 5\text{ }^{\circ}\text{C} < 80\%$ di umidità relativa.

(1) Tensione

ACD-50NAV, ACD-51NAV, ACDC-52NAV, ACD-53NAV, ACDC-54NAV		
Funzione	Portata	Precisione*
V DC	99,99 V	$\pm (0,7\% + 2\text{ cifre})$
	999,9 V	
V AC	99,99 V	$\pm (1,0\% + 5\text{ cifre})$
	999,9 V	50 ~ 500 Hz
LPF	99,99 V	50 ~ 60 Hz $\pm (1\% + 5\text{ cifre})$
	999,9 V	61 ~ 400 Hz $\pm (5\% + 5\text{ cifre})$

* V DC < 1000 cifre, aggiungere 6 cifre alla precisione. V AC < 1000 cifre, aggiungere 3 cifre alla precisione.

Protezione dai sovraccarichi: 1000 V rms

Impedenza d'ingresso: $3,5\text{ M}\Omega // < 100\text{ pF}$

Tipo di conversione AC: le conversioni AC impiegano un accoppiamento in corrente alternata, la risposta è a vero valore efficace e sono tarate rispetto al valore efficace di un ingresso a onda sinusoidale. Le precisioni si riferiscono a un'onda sinusoidale a fondo scala e a un'onda non sinusoidale sotto metà scala. Per un'onda non sinusoidale (50/60 Hz), aggiungere le seguenti correzioni in base al fattore di cresta:

Per un fattore di cresta compreso tra 1,4 e 2,0 aggiungere 1,0% alla precisione.

Per un fattore di cresta compreso tra 2,0 e 2,5 aggiungere 2,5% alla precisione.

Per un fattore di cresta compreso tra 2,5 e 3,0 aggiungere 4,0% alla precisione.

CF 3 a 460 V, 460 A (modelli ACD-53NAV, ACDC-54NAV),

280 A (modelli ACD-50NAV, ACD-51NAV, ACDC-52NAV)

2 a 690 V, 690 A (modelli ACD-53NAV, ACDC-54NAV),

420 A (modelli ACD-50NAV, ACD-51NAV, ACDC-52NAV)

Precisione V rms AC+DC: identica al valore dichiarato per V AC +V DC.

(2) Corrente

ACD-50NAV, ACD-51NAV, ACD-53NAV		
Funzione	Portata	Precisione
A AC	99,99 A	50 ~ 60 Hz $\pm (1,5\% + 5\text{ cifre})$ **
	599,9 A / 999,9 A*	61 ~ 400 Hz $\pm (2\% + 5\text{ cifre})$ **
LPF	0,10 A ~ 99,99 A	50 ~ 60 Hz $\pm (1,5\% + 5\text{ cifre})$ **
A CA	599,9 A / 999,9 A*	61 ~ 400 Hz $\pm (5\% + 5\text{ cifre})$ **

* ACD-50NAV, ACD-51NAV: 599,9 A; ACD-53NAV: 999,9 A

** Se il valore misurato è < 1000 cifre, aggiungere 5 cifre alla precisione.

ACDC-52NAV, ACDC-54NAV		
Funzione	Portata	Precisione
A DC	99,99 A	$\pm (1,5\% + 0,2 \text{ A})$
	599,9 A / 999,9 A*	$\pm (1,5\% + 5 \text{ cifre})^{**}$
A AC	0,10 A ~ 99,99 A	50 ~ 60 Hz $\pm (1,5\% + 5 \text{ cifre})^{**}$
	599,9 A / 999,9 A*	61 ~ 400 Hz $\pm (2\% + 5 \text{ cifre})^{**}$
LPF A CA	0,10 A ~ 99,99 A	50 ~ 60 Hz $\pm (1,5\% + 5 \text{ cifre})^{**}$
	599,9 A / 999,9 A*	61 ~ 400 Hz $\pm (5\% + 5 \text{ cifre})^{**}$

* ACDC-52NAV: 599,9 A ; ACDC-54NAV: 999,9 A

** Se il valore misurato è < 1000 cifre, aggiungere 5 cifre alla precisione.

Protezione dai sovraccarichi: 1000 A rms per i modelli ACD-53NAV, ACDC-54NAV
600 A rms per i modelli ACD-50NAV, ACD-51NAV, ACDC-52NAV

Errore di posizione: $\pm 1\%$ della lettura.

Il tipo di conversione AC e la precisione aggiuntiva sono identiche a quelle della tensione AC.

Precisione A rms AC+DC: identica al valore dichiarato per A CA + A DC.

- Per ottenere una precisione migliore ad alte correnti, non eseguire le misure per più di 10 minuti (modelli ACD-50NAV, ACD-51NAV, ACD-53NAV).
- Le misure A DC dipendono dalla temperatura e dal magnetismo residuo.

Premere il pulsante TENUA per oltre due secondi per compensarlo.

(3) Tenuta del picco: picco MAX / picco MIN

ACD-50NAV, ACD-51NAV, ACDC-52NAV		
Funzione	Portata	Precisione
V AC	140,0 V	$\pm (3,0\% + 15 \text{ cifre})$
	1400 V	
A AC	140,0 A	$\pm (3,0\% + 15 \text{ cifre})$
	850 A	

ACD-53NAV, ACDC-54NAV		
Funzione	Portata	Precisione
V AC	140,0 V	$\pm (3,0\% + 15 \text{ cifre})$
	1400 V	
A AC	140,0 A	$\pm (3,0\% + 15 \text{ cifre})$
	1400 A	

Protezione dai sovraccarichi: 1000 V rms

600 A rms per i modelli ACD-50NAV, ACD-51NAV, ACDC-52NAV

1000 A rms per i modelli ACD-53NAV, ACDC-54NAV

Precisione specificata per:

Onda sinusoidale, V AC > 5 V rms / A CA ≥ 5 A rms, frequenza 50 ~ 400 Hz.

- Adeguata solo per eventi ripetitivi.

(4) Frequenza

ACD-50NAV, ACD-51NAV, ACDC-52NAV, ACD-53NAV, ACDC-54NAV		
Funzione	Portata	Precisione
Frequenza	20,00 ~ 99,99 Hz	± (0,5% + 3 cifre)
	20,0 ~ 99,9 Hz	
	0,020 ~ 9,999 kHz	

Protezione dai sovraccarichi: 1000 V rms

600 A rms per i modelli ACD-50NAV, ACD-51NAV, ACDC-52NAV

1000 A rms per i modelli ACD-53NAV, ACDC-54NAV

Sensibilità:

10 ~ 100 V rms alla portata AC 100 V

10 ~ 100 A rms alla portata AC 100 A (non specificata a > 400 Hz)

100 ~ 1000 V rms alla portata AC 1000 V

100 ~ 600/1000 A rms alla portata AC 600 A/1000 A (non specificata a > 400 Hz)

- La lettura è pari a 0,0 per segnali a frequenza minore di 10,0 Hz.

(5) Distorsione armonica totale:

ACD-50NAV, ACD-51NAV, ACDC-52NAV, ACD-53NAV, ACDC-54NAV		
Funzione	Portata	Precisione
A AC / V AC	99,9%	± (3,0% + 10 cifre)

Misure di distorsione armonica totale:

ACD-50NAV, ACD-51NAV, ACDC-52NAV, ACD-53NAV, ACDC-54NAV		
Ordine delle armoniche	Portata	Precisione
H01 ~ H12	99,9%	± (5% + 10 cifre)
H13 ~ H25		± (10% + 10 cifre)

Protezione dai sovraccarichi: 1000 V rms

600 A rms per i modelli ACD-50NAV, ACD-51NAV, ACDC-52NAV

1000 A rms per i modelli ACD-53NAV, ACDC-54NAV

- Se V AC < 10 V rms o A CA < 10 A rms, sul display compare "rdy".

- Se la frequenza della fondamentale è fuori dell'intervallo 45 ~ 65 Hz, sul display compare "out.F".

(6) Corrente di spunto:

ACD-50NAV, ACD-51NAV, ACDC-52NAV, ACD-53NAV, ACDC-54NAV		
Funzione	Portata	Precisione
A AC	99,99 A	± (2,5% + 0,2 A)
	599,9 A / 999,9 A*	± (2,5% + 5 cifre)

* ACD-50NAV, ACD-51NAV, ACDC-52NAV: 599,9 A

ACD-53NAV, ACDC-54NAV: 999,9 A

Protezione dai sovraccarichi: 1000 V rms
 600 A rms per i modelli ACD-50NAV, ACD-51NAV, ACDC-52NAV
 1000 A rms per i modelli ACD-53NAV, ACDC-54NAV

Precisione specificata per:

Onda sinusoidale, A CA \geq 10 A rms, frequenza 50/60 Hz
 - Tempo di integrazione pari a circa 100 ms

(7) Potenza attiva: watt (DC/AC)

ACD-50NAV, ACD-51NAV, ACDC-52NAV, ACD-53NAV, ACDC-54NAV		
Funzione	Portata	Precisione
W AC / W DC	9,999 kW**	A, errore \times V, lettura+ V, errore \times A, lettura
	99,99 kW	
	599,9 kW / 999,9 kW*	

* ACD-50NAV, ACD-51NAV, ACDC-52NAV: 599,9 kW

ACD-53NAV, ACDC-54NAV: 999,9 kW

** Se il valore misurato è < 1000 kW, aggiungere 10 cifre alla precisione.

Protezione dai sovraccarichi: 1000 V rms
 600 A rms per i modelli ACD-50NAV, ACD-51NAV, ACDC-52NAV
 1000 A rms per i modelli ACD-53NAV, ACDC-54NAV

Precisione specificata per:

W AC:
 Onda sinusoidale, V AC \geq 10 V rms, A CA \geq 5 A rms
 Frequenza 50 ~ 60 Hz, PF=1,00
 W DC (solo i modelli ACDC-52NAV, ACDC-54NAV):
 V DC \geq 10 V, A DC \geq 5 A

(8) Fattore di potenza:

ACD-50NAV, ACD-51NAV, ACDC-52NAV, ACD-53NAV, ACDC-54NAV		
Funzione	Portata	Precisione*
PF	-1,00 ~ 0,00 ~ 1,00	$\pm 3^\circ \pm 1$ cifra

* A CA < 100 A, aggiungere $\pm 2^\circ$ alla precisione (modelli ACD-50NAV, ACD-51NAV, ACD-53NAV)

Protezione dai sovraccarichi: 1000 V rms
 600 A rms per i modelli ACD-50NAV, ACD-51NAV, ACDC-52NAV
 1000 A rms per i modelli ACD-53NAV, ACDC-54NAV

(9) Misure di resistenza e prove di continuità/diodi:

ACD-50NAV, ACD-51NAV, ACDC-52NAV, ACD-53NAV, ACDC-54NAV		
Funzione	Portata	Precisione
Misure di resistenza	999,9 Ω	$\pm (1,0\% + 5 \text{ cifre})$
	9,999 k Ω	$\pm (1,0\% + 3 \text{ cifre})$
	99,99 k Ω	
Prove di continuità	999,9 Ω	$\pm (1,0\% + 5 \text{ cifre})$
Prove su diodi	0,40 ~ 0,80 V	$\pm 0,1 \text{ V}$

Protezione dai sovraccarichi: 1000 V rms
Corrente massima di prova: circa 0,5 mA
Massima tensione di circuito aperto per Ω , $\mu\Omega$ circa 3 V
Massima tensione di circuito aperto per i diodi: circa $\pm 1,8 \text{ V}$

Prove di continuità:

Soglia di continuità: < 30 ohm con segnale acustico attivato.
< 100 ohm con segnale acustico disattivato.
Indicatore di continuità: segnale acustico a 2 kHz.

(10) Misure di capacità:

ACD-50NAV, ACD-51NAV, ACDC-52NAV, ACD-53NAV, ACDC-54NAV		
Funzione	Portata	Precisione
Misure di capacità	3,999 μF	$\pm (1,9\% + 8 \text{ cifre})$
	39,99 μF	
	399,9 μF	
	3999 μF	

Protezione dai sovraccarichi: 1000 V rms

(11) Misure di temperatura:

ACD-51NAV, ACDC-54NAV		
Funzione	Portata	Precisione
$^{\circ}\text{C}$	-50 $^{\circ}\text{C}$ ~ 99,9 $^{\circ}\text{C}$	$\pm (1\% + 2 \text{ }^{\circ}\text{C})$
	100 $^{\circ}\text{C}$ ~ 399,9 $^{\circ}\text{C}$	$\pm (1\% + 1 \text{ }^{\circ}\text{C})$
	400 $^{\circ}\text{C}$ ~ 1000 $^{\circ}\text{C}$	
$^{\circ}\text{F}$	-58 $^{\circ}\text{F}$ ~ 211,9 $^{\circ}\text{F}$	$\pm (1\% + 4 \text{ }^{\circ}\text{F})$
	212,0 $^{\circ}\text{F}$ ~ 751,9 $^{\circ}\text{F}$	$\pm (1\% + 2 \text{ }^{\circ}\text{F})$
	752 $^{\circ}\text{F}$ ~ 1832 $^{\circ}\text{F}$	

Protezione dai sovraccarichi: 1000 V rms

- I dati tecnici precedenti si riferiscono alla temperatura ambiente con stabilità entro $\pm 1 \text{ }^{\circ}\text{C}$. Inoltre, la sonda di temperatura deve rimanere collegata allo strumento per più di un'ora prima dell'esecuzione delle misure.
- Lo strumento ha bisogno di due ore per essere stabile a temperatura ambiente con variazioni maggiori di $\pm 5 \text{ }^{\circ}\text{C}$.

(12) μ A DC:

ACD-51NAV		
Funzione	Portata	Precisione
μ A DC	999,9 μ A DC	$\pm (1,7\% + 2 \text{ cifre})^*$

* < 1000 cifre, aggiungere 3 cifre alla precisione.

Protezione dai sovraccarichi: 1000 V rms

MANUTENZIONE E RIPARAZIONI

⚠ ATTENZIONE

Per evitare scosse elettriche, prima di aprire l'involucro scollegare lo strumento da qualunque circuito, rimuovere i cavi di misura dai jack d'ingresso e portare il selettore nella posizione OFF. Non usare lo strumento con l'involucro aperto. Installare solo una pila dello stesso tipo o equivalente.

Soluzione dei problemi

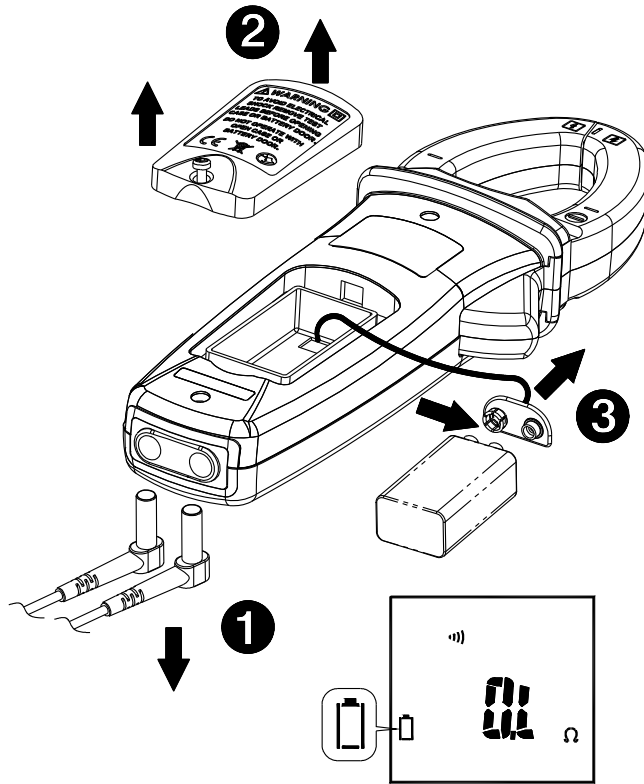
Se lo strumento non funziona, controllare la pila, i cavi di misura ecc. e sostituirli se necessario. Riesaminare le procedure descritte in questo manuale. Se il terminale d'ingresso tensione-resistenza dello strumento viene sottoposto a transitori di alta tensione (in genere causati da fulmini o sovracorrenti/sovratensioni da commutazione dell'impianto) in condizioni di funzionamento accidentali o anomale, intervengono gli spinterometri e i fusibili per proteggere l'utente e lo strumento. La maggior parte delle funzioni di misura attraverso questo terminale si presenta come un circuito aperto. Gli spinterometri e i fusibili devono quindi essere sostituiti da un tecnico qualificato. Vedere la GARANZIA LIMITATA per richiedere un intervento di riparazione come previsto dalla garanzia.

Pulizia e immagazzinaggio

Pulire periodicamente l'involucro con un panno umido e detergente neutro; non utilizzare abrasivi né solventi. Se lo strumento non deve essere adoperato per più di 60 giorni, rimuovere la pila e conservarla a parte.

Sostituzione della pila

1. Spegnerlo strumento e scollegare i cavi di misura.
2. Allentare la vite del coperchio dello scomparto della pila. Sollevare il coperchio e quindi lo scomparto.
3. Sostituire la pila con una pila alcalina da 9 V NEDA1604A, JIS6AM6 o IEC6LF22.
4. Riposizionare il coperchio e serrare la vite.



⚠ ATTENZIONE

Prima di aprire lo sportello dello scomparto della pila o l'involucro dello strumento, rimuovere i cavi di misura.



ACD-50NAV

Pinza Navigator 600 A CA

ACD-51NAV

Pinza Navigator 600 A CA TRMS

ACDC-52NAV

Pinza Navigator 600 A CA/CC TRMS

ACD-53NAV

Pinza Navigator 1000 A CA TRMS

ACDC-54NAV

Pinza Navigator 1000 A CA/CC TRMS

Español

Manual de uso

7/2013, Rev. 2
©2013 Amprobe Test Tools.
Reservados todos los derechos. Impreso en Taiwán.

Garantía limitada y limitación de responsabilidades

Su producto de Amprobe está garantizado contra defectos de materiales y mano de obra durante 1 año a partir de la fecha de compra. Esta garantía no cubre fusibles, baterías desechables, ni daños derivados de accidentes, negligencia, uso indebido, alteración, contaminación o condiciones anormales de uso o manipulación. Los revendedores no están autorizados a extender ninguna otra garantía en nombre de Amprobe. Para obtener servicio durante el periodo de garantía, devuelva el producto acompañado del comprobante de compra a un centro de servicio de Amprobe Test Tools autorizado o a un concesionario o distribuidor de Amprobe. Consulte el apartado Reparación para obtener información más detallada. ESTA GARANTÍA CONSTITUYE SU ÚNICO RECURSO. TODAS LAS DEMÁS GARANTÍAS, TANTO EXPRESAS COMO IMPLÍCITAS O ESTATUTARIAS, INCLUIDAS LAS GARANTÍAS IMPLÍCITAS DE IDONEIDAD PARA UN PROPÓSITO DETERMINADO O DE COMERCIABILIDAD, QUEDAN POR LA PRESENTE DENEGADAS. EL FABRICANTE NO SERÁ RESPONSABLE DE LOS DAÑOS O PÉRDIDAS ESPECIALES, INDIRECTOS, CONTINGENTES O RESULTANTES, QUE SE DERIVEN DE CUALQUIER CAUSA O TEORÍA. Debido a que determinados estados o países no permiten la exclusión o limitación de una garantía implícita o de los daños contingentes o resultantes, esta limitación de responsabilidad puede no regir para usted.

Reparación

Todas las herramientas de prueba que se devuelvan para su reparación, cubierta o no por garantía, o para su calibración, deben ir acompañadas de lo siguiente: su nombre, el nombre de su empresa, el domicilio, el número de teléfono y el comprobante de compra. Además, incluya una breve descripción del problema o del servicio solicitado y adjunte los conductores de prueba del medidor. La reparación fuera de garantía o los cargos de sustitución deben remitirse en la forma de cheque, giro postal, tarjeta de crédito con fecha de vencimiento u orden de compra pagadera a Amprobe® Test Tools.

Reparaciones y sustituciones cubiertas por la garantía – Todos los países

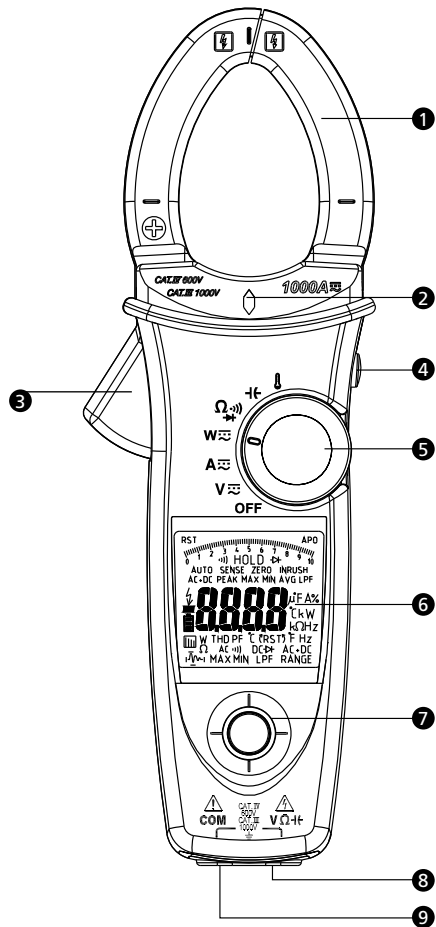
Sírvase leer la declaración de garantía y compruebe su batería antes de solicitar la reparación. Durante el periodo de garantía, toda herramienta de prueba defectuosa puede devolverse al distribuidor de Amprobe® Test Tools para cambiarla por otra igual

para ver una lista de distribuidores locales. Además, en Estados Unidos y Canadá, las unidades para reparación y sustitución cubiertas por la garantía también se pueden enviar a un Centro de Servicio de Amprobe® Test Tools (las direcciones se incluyen más adelante).

Reparaciones y sustituciones no cubiertas por la garantía – Estados Unidos y Canadá

Las reparaciones no cubiertas por la garantía en Estados Unidos y Canadá se deben enviar a un Centro de Servicio de Amprobe®. Llame a Amprobe® Test Tools o pregunte en su punto de compra para conocer las tarifas actuales de reparación y sustitución de productos.

ACD-50 CAT IV Serie de pinzas Navigator



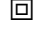


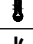
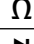
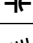
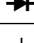
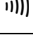
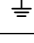
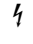






- 1 Mordaza
- 2 Luz del sensor de tensión
- 3 Disparador
- 4 Tecla de retención / DCA Zero
- 5 Selector giratorio
- 6 Pantalla
- 7 Tecla de navegación
- 8 Entrada V / Ω / Hz
- 9 Entrada común

ÍNDICE

SÍMBOLOS	1
DESEMBALAJE E INSPECCIÓN	2
CARACTERÍSTICAS	2
FUNCIONAMIENTO	3
Realización de mediciones básicas.....	4
Medición de tensión	5
Medición de corriente	6
Modo de detección automática	7
Retención de valor pico	7
Corriente de irrupción	8
DC A ZERO	9
Medición de frecuencia	9
MAX/MIN/AVG.....	9
Medición de la distorsión total de armónicos (THD)	10
LPF.....	11
Medición de potencia activa (W) / Factor de potencia (PF)	12
Rotación de fases	14
Medición de ohmios	15
Medición de capacitancia	16
Medición de temperatura °C / °F.....	17
Medición de corriente μ A.....	18
Rango automático/manual.....	19
Tecla de retención (HOLD).....	19
Detección de tensión	20
Indicador acústico	20
Opciones de encendido	20
Indicación de carga de la batería.....	20
ESPECIFICACIONES	21
MANTENIMIENTO Y REPARACIÓN	27
Resolución de problemas.....	27
Limpieza y almacenamiento.....	27
Cambio de la batería	27

SÍMBOLOS

	¡Precaución! Peligro de descarga eléctrica.		¡Precaución! Consulte la explicación incluida en este manual.
	Se permite tanto la colocación alrededor de conductores con tensión peligrosa, como su retirada.		Equipo protegido con aislamiento doble o reforzado.
	Corriente alterna (CA).		Corriente continua (CC).
	Medición de temperatura		Medición de resistencia
	Medición de capacitancia		Medición de diodos
	Indicador acústico de continuidad		Conexión a tierra
	Para avisarle de una tensión potencialmente peligrosa, este símbolo se muestra en pantalla cuando el medidor detecta una tensión ≥ 30 V o una sobrecarga de tensión (OL) en V.		Cumple las directivas europeas
	Cumple las normas australianas pertinentes		Batería
	No elimine este producto como residuo municipal sin clasificar. Póngase en contacto con un reciclador cualificado.		

Información de seguridad

- Se debe utilizar equipo de protección individual si piezas ACTIVAS PELIGROSAS pudieran estar EXPUESTAS en la instalación donde se realiza la medición.
- Este manual contiene información y advertencias que deben seguirse para operar el instrumento de forma segura y mantenerlo en condiciones operativas seguras. Si el instrumento se utiliza de manera no especificada por el fabricante, la protección provista por el mismo podría verse afectada.
- El medidor está destinado únicamente a uso en interiores.
- La clasificación de protección del instrumento, en relación a los usuarios, es de aislamiento doble de acuerdo con IEC/EN 61010-1 3rd Ed edición, categoría III 1000 voltios CA y CC, y categoría IV 600 voltios CA y CC.
- Desconecte los conductores de prueba de los puntos de prueba antes de cambiar las funciones con el selector giratorio.
- No conecte nunca una fuente de tensión con el selector de funciones en la posición Ω , μA .
- No exponga el medidor a temperaturas extremas o humedad elevada.
- No ponga nunca el medidor en la función Ω , μA para medir la tensión de un circuito eléctrico en equipos que podrían dañar el medidor y los equipos sometidos a prueba.

Categoría de mediciones:

V: Categoría III 1000 voltios CA y CC, y categoría IV 600 voltios CA y CC.

A: Categoría III 1000 voltios CA y CC, y categoría IV 600 voltios CA y CC.

Categoría de mediciones según IEC61010-1 3ª edición

La **categoría IV de mediciones (CAT IV)** es para mediciones realizadas en la fuente de la instalación de baja tensión. Algunos ejemplos incluyen medidores de electricidad y mediciones en dispositivos de protección primaria contra sobrecorriente y unidades de control de ondulaciones.

La **categoría III de mediciones (CAT III)** es para mediciones realizadas en la instalación del edificio. Ejemplos de esta categoría son las mediciones en tableros de distribución, disyuntores, cableado, incluidos cables, barras de conexión, cajas de empalme, conmutadores, tomas de corriente en instalaciones fijas y equipos para uso industrial, así como otros equipos, como por ejemplo, motores estacionarios con conexión permanente a la instalación fija.

⚠ ADVERTENCIA

Para reducir el riesgo de incendio o descarga eléctrica, no exponga este producto a la lluvia o a la humedad. Cumpla las medidas de precaución de seguridad pertinentes cuando trabaje con tensiones superiores a 60 V CC o 30 V CA rms para evitar el peligro de descargas eléctricas. Estos niveles de tensión presentan un peligro potencial de descarga eléctrica al usuario. No toque las puntas de los conductores de prueba ni el circuito sometido a prueba mientras se esté aplicando electricidad al circuito que se está midiendo. Mantenga los dedos detrás de los protectores dactilares de los conductores de prueba durante la medición. Inspeccione los conductores de prueba, conectores y sondas para determinar si hay aislamiento dañado o metal expuesto antes de utilizar el instrumento. Si se encuentra algún defecto, cambie de inmediato las piezas correspondientes. Utilice únicamente los conductores de prueba adjuntos, o sustitúyalos por otros del mismo valor nominal o superior.

DESEMBALAJE E INSPECCIÓN

La caja de envío debe incluir:

- 1 Medidor de electricidad con pinzas
- 1 Juego de conductores de prueba (1 par)
- 1 Adaptador y sonda de temperatura (sólo ACD-51NAV y ACDC-54NAV)
- 1 Manual de uso
- 1 Estuche de transporte
- 1 Batería alcalina de 9 V (instalada)

Si alguno de los artículos está dañado o no está en la caja, devuelva el producto completo a la tienda donde lo compró para cambiarlo.

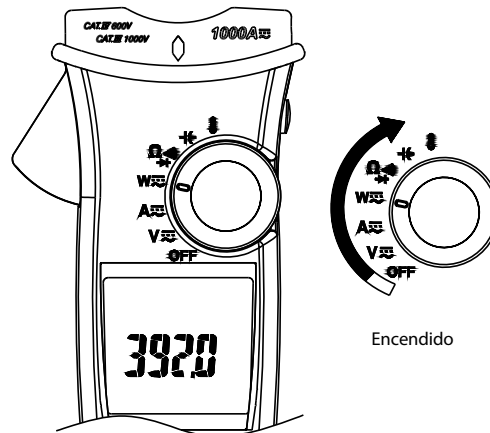
CARACTERÍSTICAS

- RMS verdadero
- Mediciones:
 - o Tensión hasta 1000 V CA/CC, Resistencia, Frecuencia, THD (distorsión de armónicos totales) y armónicos individuales de 1 a 25, Potencia, Factor de potencia

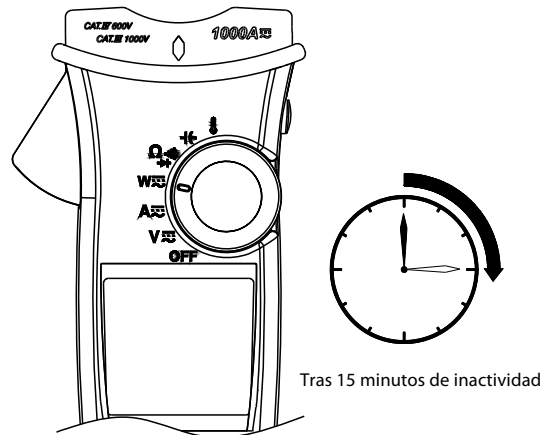
- o Corriente CA
 - Hasta 600 A (ACD-50NAV, ACD-51NAV, ACDC-52NAV)
 - Hasta 1000 A (ACD-53NAV, ACDC-54NAV)
- o Corriente CC
 - Hasta 600 A (ACDC-52NAV)
 - Hasta 1000 A (ACDC-54NAV)
- o Capacitancia
- o Medición de temperatura en °C / °F (sólo ACD-51NAV, ACDC-54NAV)
 - Se incluye adaptador y sonda de temperatura
- o Microamperios de CC (sólo ACD-51NAV)
- Indicación de rotación de fases
- Detección de tensión sin contacto
- Medición de corriente de irrupción en motores
- Filtro de paso bajo para unidades de frecuencia variable
- Indicador acústico de continuidad
- Valores mín, máx, y retención de datos inteligentes
- Retención de valores pico
- Linterna automática al colocar la pinza
- Pantalla grande con 10000 recuentos, iluminación activa y gráfico de barras analógico
- Apagado automático
- Apertura máxima de la mordaza de 45 mm (1,77 pulg)
- Resistente a caídas desde 1,20 m (4 pies) de altura
- Incluye estuche de transporte de lujo
- Norma de seguridad CAT IV 600 V / CAT III 1000 V

FUNCIONAMIENTO

Encendido y apagado



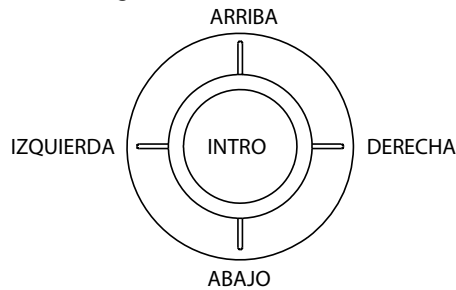
Apagado automático



Para que el medidor vuelva a funcionar, enciéndalo desde la posición de apagado.

Desactivación del apagado automático (APO): Pulse la tecla de navegación "hacia abajo" mientras enciende el medidor desde la posición de apagado.

Tecla de navegación



La tecla de navegación tiene 5 direcciones de activación en la pantalla. Actívela para seleccionar la función deseada con un simple clic.

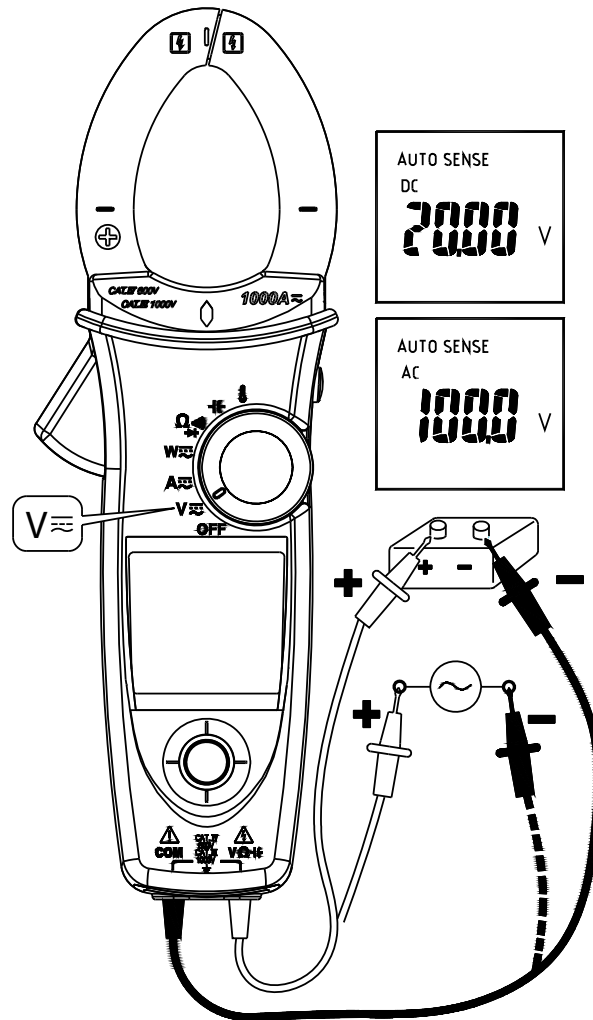
Realización de mediciones básicas

⚠ PRECAUCIÓN

Antes y después de medir tensiones peligrosas, compruebe la función de tensión en una fuente conocida, tal como la tensión de línea, para determinar el correcto funcionamiento del medidor.

Cuando conecte los conductores de prueba al equipo sometido a prueba (EUT), conecte el conductor común antes de conectar el conductor con corriente; al quitar los conductores de prueba, retire primero el conductor con corriente antes de retirar el conductor común.

Medición de tensión

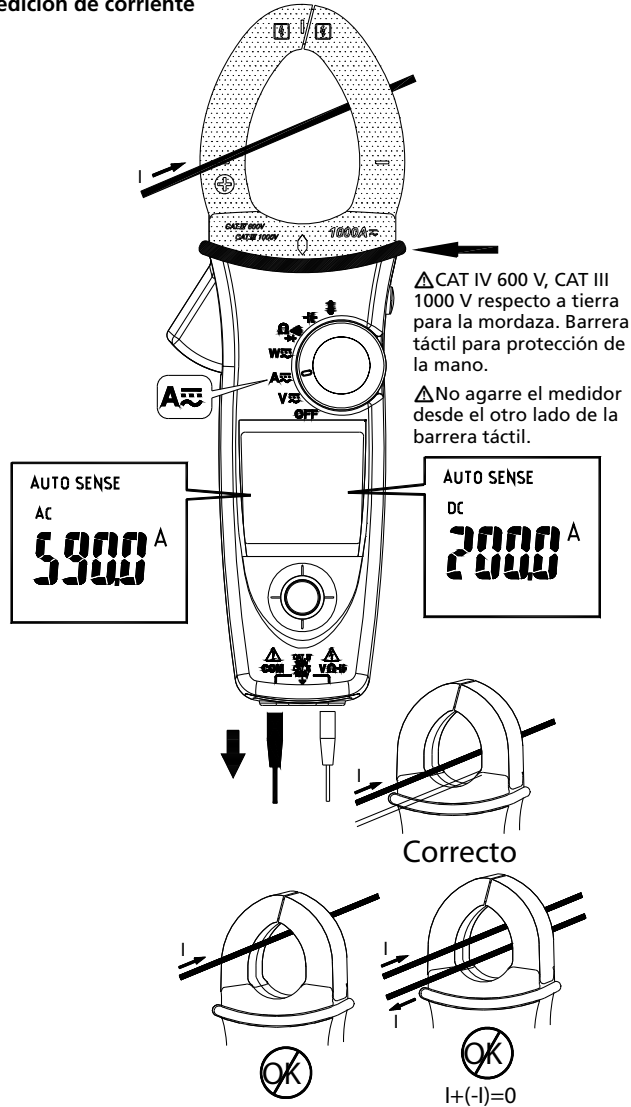


⚠ ADVERTENCIA

Para evitar descargas eléctricas, riesgos o daños en el medidor, no intente realizar medidas que superen los 1000 V CC o CA RMS. No aplique más de 1000 V CC o CA RMS a los terminales de entrada.

Nota - Si el voltaje medido es superior a 30 V CC o CA RMS, la pantalla mostrará el símbolo "1".

Medición de corriente



⚠ CAT IV 600 V, CAT III 1000 V respecto a tierra para la mordaza. Barrera táctil para protección de la mano.

⚠ No agarre el medidor desde el otro lado de la barrera táctil.

- No coloque la pinza en ningún conductor mientras esté encendido el medidor.
- Los modelos ACD-50NAV, ACD-51NAV y ACD-53NAV solamente pueden medir CA.
- La linterna se enciende al usar la pinza.

⚠ PRECAUCIÓN

No mida corriente en la mordaza de la pinza con la sonda de temperatura conectada al medidor.

Modo de detección automática:

Muestra los resultados de medición del valor de CA sólo con RMS o del valor de CC, el que sea superior de los dos.

Modo de CA: Valor de CA sólo con RMS.

Modo de CC: Valor de CC.

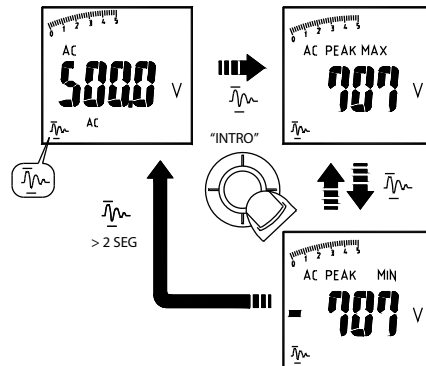
Modo de CA+CC: Valor de CA+CC RMS.

Nota:

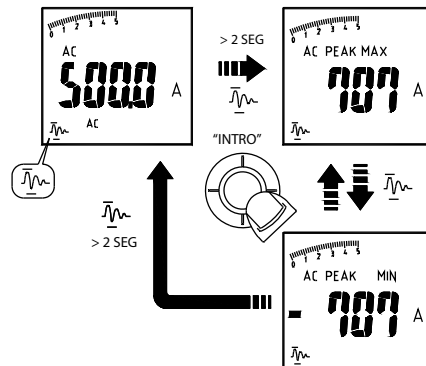
- Seleccione el indicador "AC", "DC" o "AC+DC" y pulse la tecla de navegación para pasar al modo de medición de AC/DC/AC+DC.
- Seleccione el indicador "AC", "DC" o "AC+DC" y mantenga pulsada la tecla de navegación más de 2 segundos para volver al modo de detección automática (AUTO SENSE).

Retención de valor pico $\sqrt{\text{~}}$ (sólo en modo CA)

1. En modo CA V, seleccione el indicador " $\sqrt{\text{~}}$ " en la pantalla para acceder al modo de retención de valor pico (PEAK HOLD). Para salir del modo de retención de valor pico, mantenga pulsada la tecla de navegación durante más de 2 segundos.



2. En el modo CA A, seleccione el indicador " $\sqrt{\text{~}}$ " y mantenga pulsada la tecla de navegación durante más de 2 segundos para pasar al modo de retención de valor pico. Para salir del modo de retención de valor pico, mantenga pulsada la tecla de navegación durante más de 2 segundos para volver al indicador " $\sqrt{\text{~}}$ ".

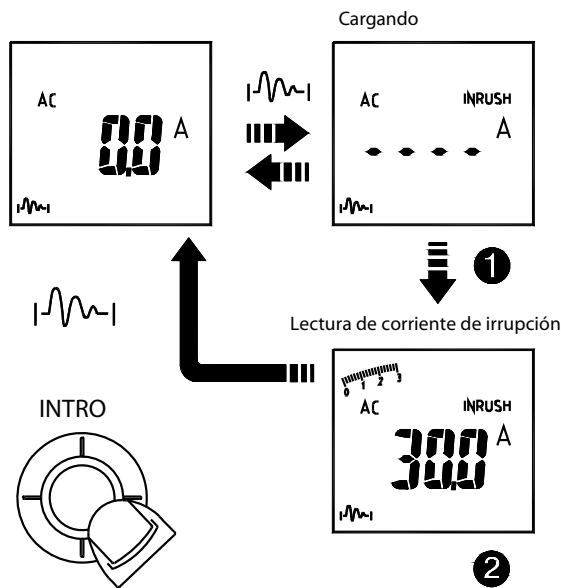
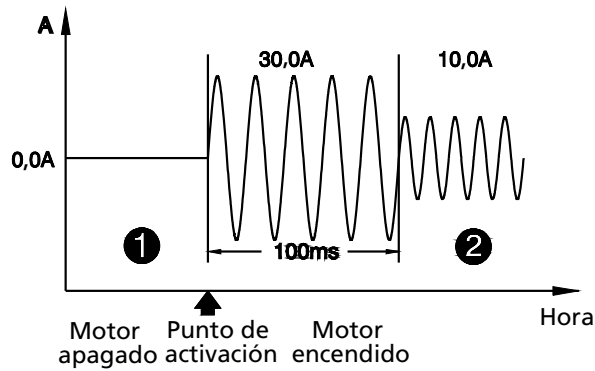


En el modo de retención de valor pico, el medidor se activa para guardar el valor de pico positivo y el valor de pico negativo. El valor de pico positivo se muestra en el modo PEAK MAX. El valor de pico negativo se muestra en el modo PEAK MIN.

Corriente de irrupción I_{INRUSH} : (sólo en modo CA)

Si la corriente de irrupción del aparato sometido a prueba pudiera llegar a ser superior a 100 A CA, seleccione por adelantado 600A/1000A antes de activar la corriente de irrupción.

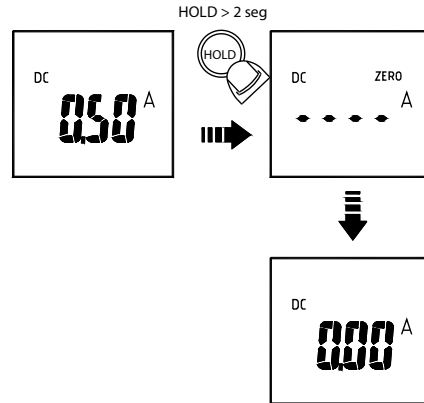
En modo CA A, seleccione el indicador " I_{INRUSH} " en la pantalla para acceder al modo de corriente de irrupción. Para salir del modo de corriente de irrupción, vuelva a pulsar la tecla de navegación.



DC A ZERO (sólo ACDC-52NAV, ACDC-54NAV)

Retire la mordaza del conductor.

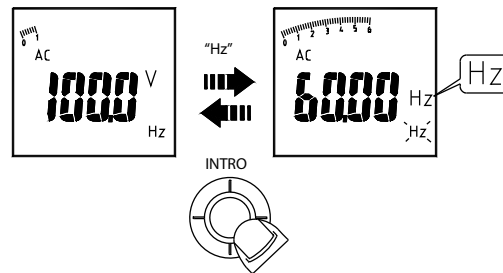
Pulse la tecla HOLD durante más de 2 segundos para compensar el magnetismo residual.



- DC A Zero está disponible únicamente en los modos Auto Sense, DC y AC+DC.

Medición de frecuencia (sólo en modo CA)

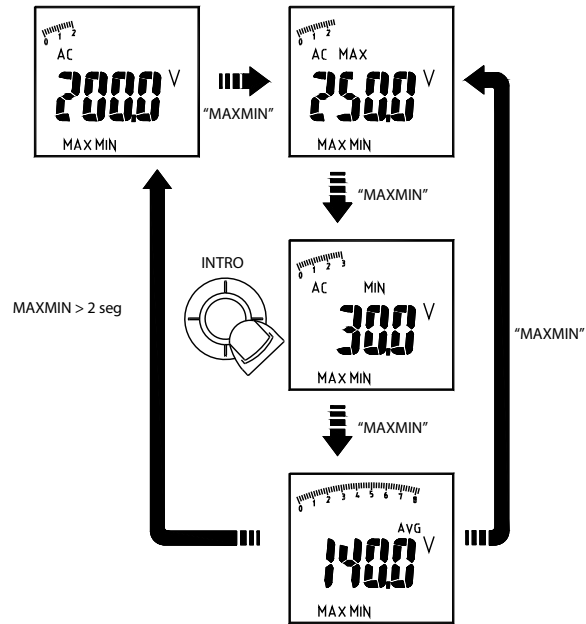
Seleccione el indicador "Hz" y pulse la tecla de navegación para entrar o salir del modo de medición de frecuencia.



MAX/MIN/AVG

Seleccione el indicador "MAX MIN" y pulse la tecla de navegación para pasar al modo MAX/MIN/AVG. Para salir del modo MAX/MIN/AVG, mantenga pulsada la tecla de navegación durante más de 2 segundos.

El modo MAX/MIN/AVG se utiliza para registrar los valores de entrada mínimo y máximo. Si las entradas son inferiores al valor mínimo o superiores al valor máximo que se hayan registrado, el medidor registra el nuevo valor. El modo MAX/MIN/AVG también puede calcular el promedio del valor máximo y del valor mínimo.

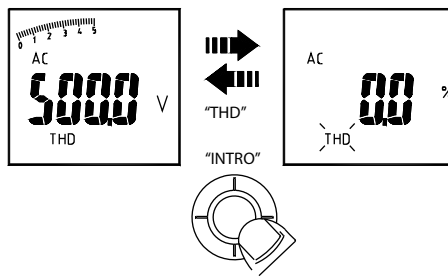


Nota:

- Pulse la tecla HOLD en el modo MAX MIN para que el medidor deje de actualizar los valores máximo y mínimo. Cuando se activa el modo de retención de datos (HOLD) desde el modo MAX MIN, es necesario desactivar el modo HOLD antes de desactivar el modo MAX MIN.

Medición de la distorsión total de armónicos (THD) (sólo en modo CA)

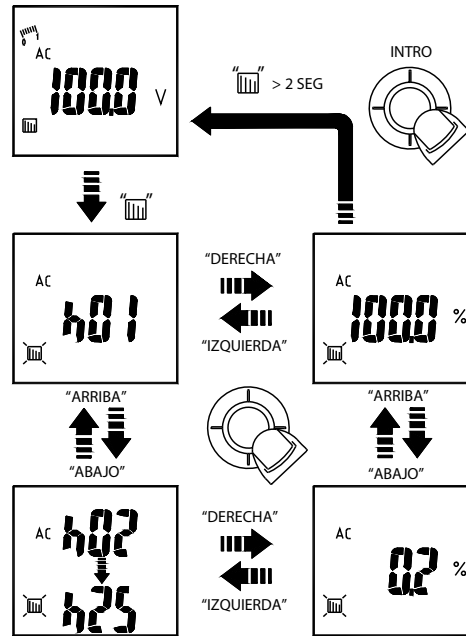
Seleccione el indicador "THD" y pulse la tecla de navegación para entrar o salir del modo THD. $THD-F = \text{RMS de armónicos} \div \text{RMS del fundamental} \times 100\%$ (armónicos hasta el 25)



Medición de armónicos individuales (sólo en modo CA)

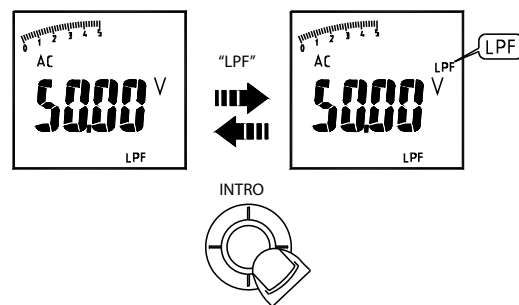
Seleccione el indicador "THD" y pulse la tecla de navegación para entrar al modo de armónicos individuales. Para salir del modo de armónicos individuales, mantenga pulsada la tecla de navegación durante más de 2 segundos.

$H_n = \text{RMS de armónicos individuales} \div \text{RMS del fundamental} \times 100\%$



LPF (sólo en modo CA)

Seleccione el indicador "LPF" y pulse la tecla de navegación para eliminar el ruido de alta frecuencia.



Nota: Los modos de retención de valor pico, corriente de irrupción, THD, HZ, armónicos individuales y LPF están disponibles únicamente en modo CA.

Medición de potencia activa (W) / Factor de potencia (PF)

1. Medición de potencia monofásica

Paso 1. Coloque el selector en la posición "W".

Paso 2. Conecte el conductor de prueba rojo al conductor de línea, y el conductor de prueba negro al conductor neutro.

Paso 3. Pulse el disparador para abrir las mordazas del transformador y pince únicamente un conductor. Cerciórese de que la mordaza queda cerrada con firmeza alrededor del conductor.

Paso 4. Utilice la tecla de navegación para elegir el modo "W/PF".

Nota:

- El símbolo "+" de la mordaza debe quedar del lado de la fuente de energía.
- En el modo de detección automática, el medidor indica ACW/DCW en función de si se detecta frecuencia de CA.
- Los modelos ACD-50NAV, ACD-51NAV y ACD-53NAV ofrecen únicamente el modo de medición de corriente alterna (CA).

Signo de electricidad activa:

Ausencia de signo: Indica que la electricidad fluye de la fuente de energía hasta la carga.

Signo "-": Indica que la electricidad fluye de la carga hasta la fuente de energía.

Signo de factor de potencia:

Ausencia de signo: La fase de la señal de corriente va atrasada respecto a la señal de tensión (carga inductiva).

Signo "-": La fase de la señal de corriente va adelantada respecto a la señal de tensión (carga capacitiva).

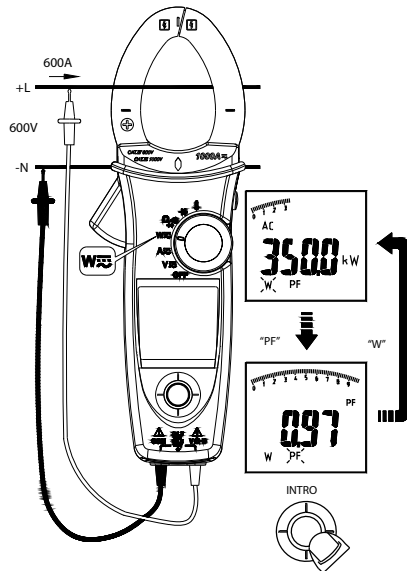
Pantalla de sobrecarga:

OL.U: Sobrecarga de tensión

OL.A: Sobrecarga de corriente

OL.UA: Sobrecarga de tensión y de corriente.

± OL kW: Potencia activa > 1000 kW o < -1000 kW.

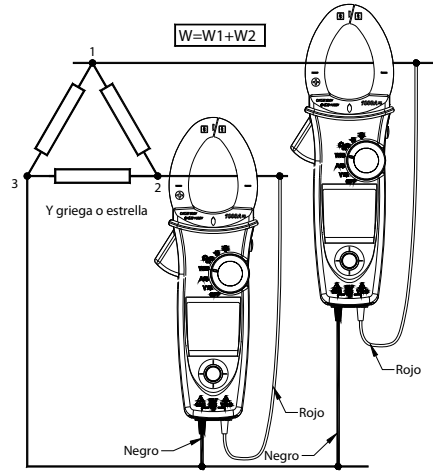


2. Medición de potencia trifásica

A. Trifásica en 3 hilos equilibrada/desequilibrada

Paso 1. Coloque el selector en la posición "W".

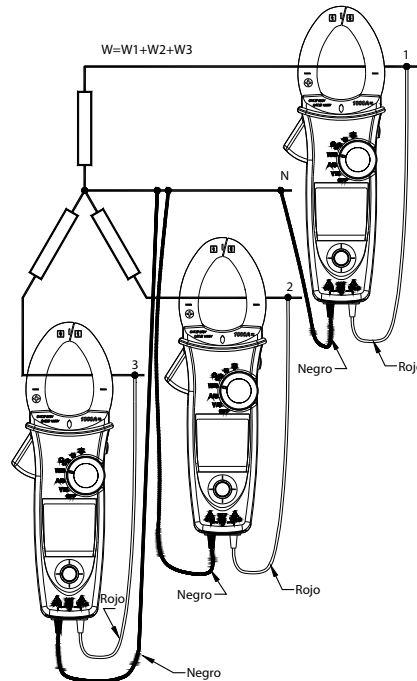
Paso 2. Utilice la tecla de navegación para elegir el modo "W".



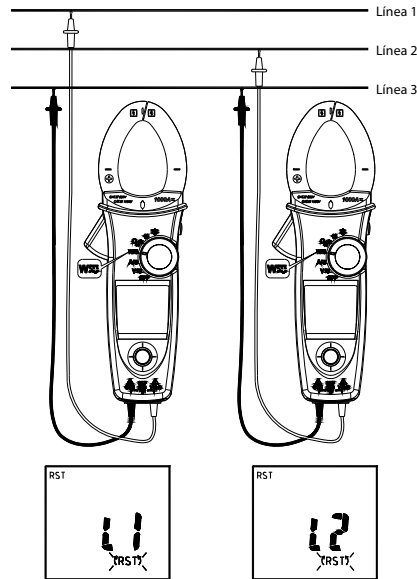
B. Trifásica en 4 hilos equilibrada/desequilibrada

Paso 1. Coloque el selector en la posición "W".

Paso 2. Utilice la tecla de navegación para elegir el modo "W".



Rotación de fases



Nota:

- Conecte tres fases de la fuente de potencia como se muestra en la ilustración.
- Esta prueba está disponible únicamente cuando la frecuencia del sistema es estable.

Paso 1. Coloque el selector en la posición "W".

Paso 2. Utilice la tecla de navegación para elegir el modo "RST".

Paso 3. Conecte el conductor de prueba rojo y el conductor de prueba negro a cualquiera de los conductores de la línea (p. ej. conductor rojo a fase 1, y conductor negro a fase 3).

Nota: Si ocurre lo siguiente, el medidor no podrá determinar la fase de línea:

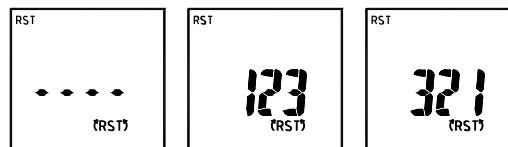
La pantalla muestra "OLU" y parpadea: tensión > 1000 V

La pantalla muestra "LoU" y parpadea: tensión < 30 V

La pantalla muestra "outF" y parpadea: frecuencia > 65 Hz o < 45 Hz

Paso 4. Cuando se escuchen dos pitidos del indicador acústico, cambie uno de los conductores de prueba a otro conductor de línea antes de que pasen 3 segundos

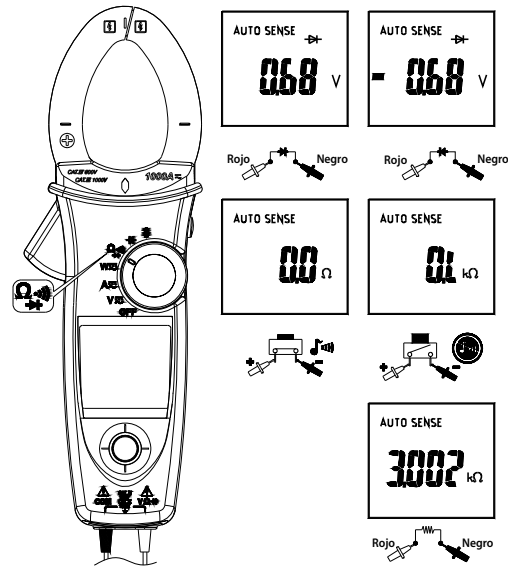
La pantalla indicará el resultado como se muestra a continuación:



- Si muestra "1 2 3", la secuencia de fases es hacia adelante
- Si muestra "3 2 1", la secuencia de fases es hacia atrás

- c) Si muestra “- - - -”, significa que no puede determinar las fases de línea.
- d) Si muestra “LoU”, es posible que haya retirado los conductores de prueba antes de que el medidor terminara los procedimientos de pruebas.
- Paso 5.** Para repetir la prueba, utilice la tecla de navegación y vuelva a elegir el modo “RST”.

Medición de ohmios



⚠ PRECAUCIÓN

Para evitar posibles daños al medidor o al equipo sometido a prueba, desconecte la electricidad del circuito y descargue todos los condensadores de alta tensión antes de medir la resistencia y el diodo.

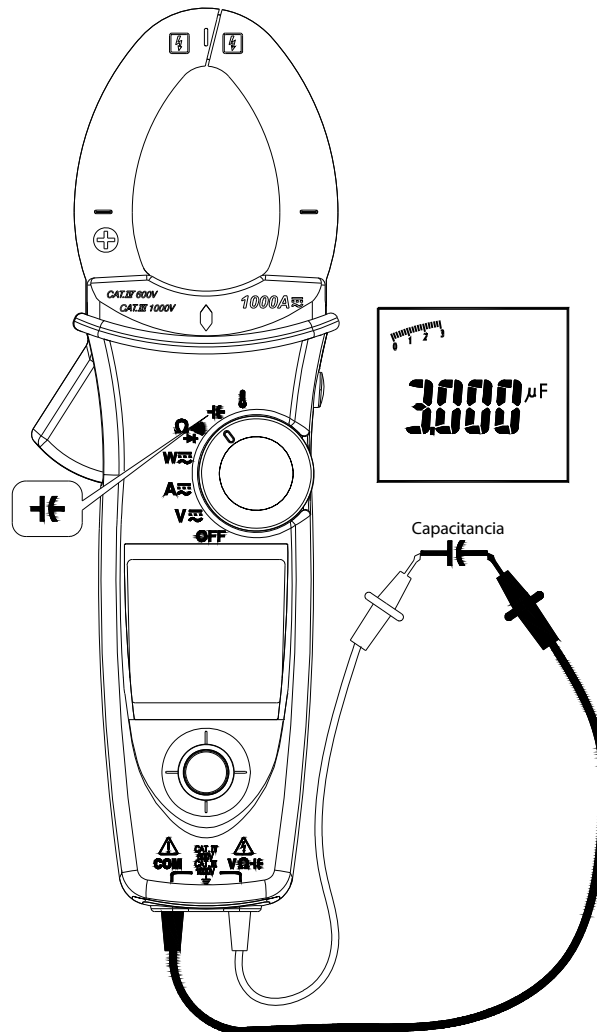
Nota:

- Seleccione el indicador Ω / ||| / \rightarrow y pulse la tecla de navegación para pasar al modo Ω / ||| / \rightarrow .
- Seleccione el indicador Ω / ||| / \rightarrow y mantenga pulsada la tecla de navegación más de 2 segundos para volver al modo de detección automática (AUTO SENSE).

Nota: En el modo de diodos: cuando en la pantalla aparezca la indicación “bad” durante la medición de un diodo, es posible que el diodo esté dañado.

Medición de capacitancia

Coloque el selector en la posición "☐".



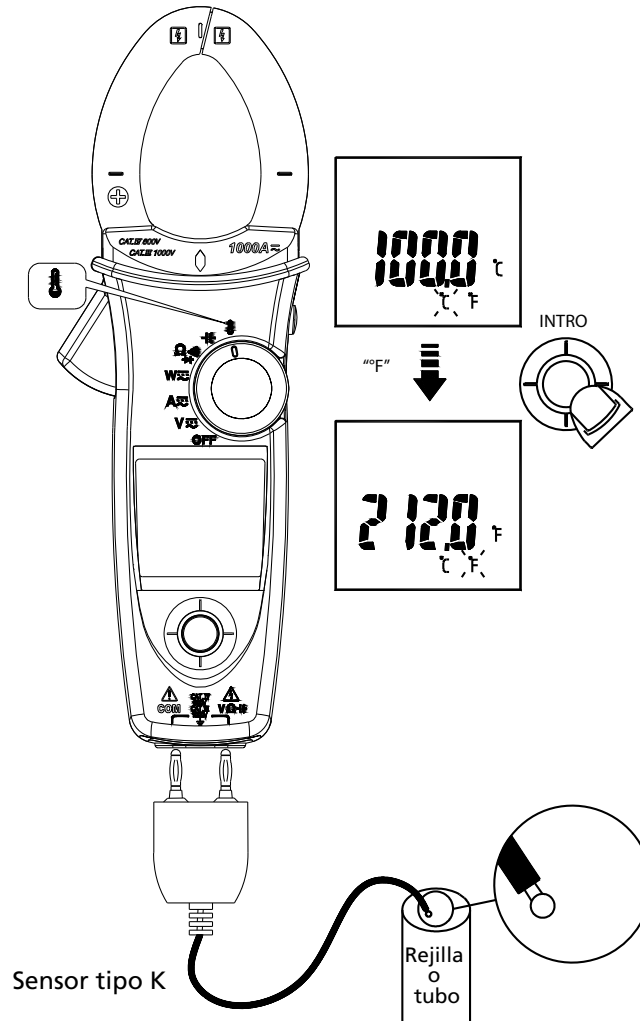
⚠ PRECAUCIÓN

Para evitar posibles daños al medidor o al equipo sometido a prueba, desconecte la electricidad del circuito y descargue todos los condensadores de alta tensión antes de medir la capacitancia. Utilice la función de tensión CC para confirmar que el condensador está descargado.

Nota: El medidor indicará "diSC" en la pantalla mientras se descarga el condensador.

Medición de temperatura °C / °F
(sólo ACD-51NAV y ACDC-54NAV)

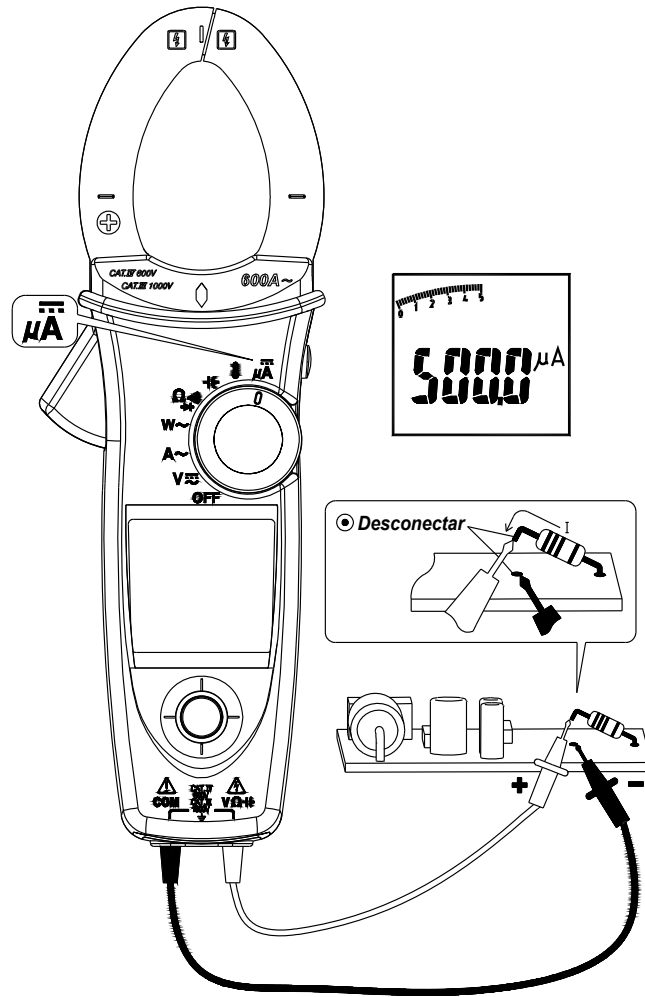
Coloque el selector en la posición "°C".



No realice ninguna medición de alta tensión antes de realizar mediciones precisas de °C/°F.

Medición de corriente en μA (sólo ACD-51NAV)

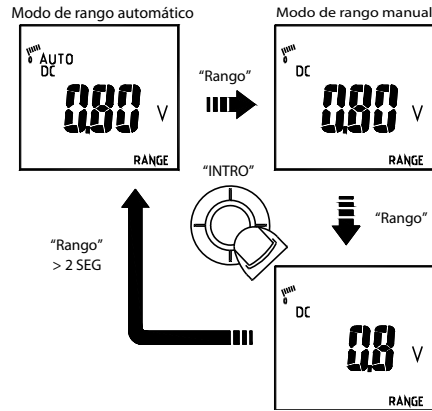
Coloque el selector en la posición μA .



Otra función:

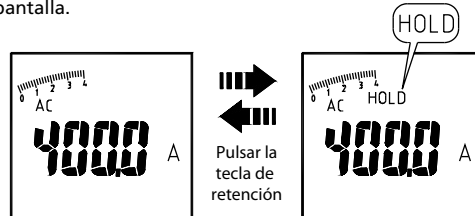
Rango automático/manual

Seleccione el indicador de rango (RANGE) y pulse la tecla de navegación para entrar o salir del modo de rango manual. Para volver al modo de rango automático, mantenga pulsada la tecla de navegación durante más de 2 segundos.



Tecla de retención (HOLD)

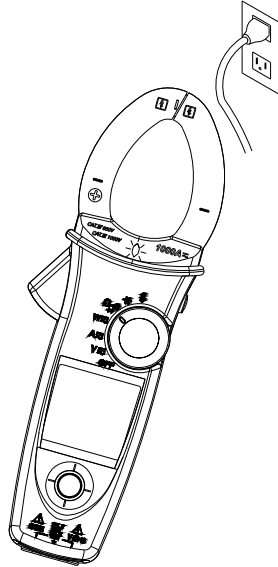
Pulse la tecla de retención (HOLD) para "congelar" el valor que aparece en la pantalla.



Retención inteligente: El medidor emitirá pitidos continuamente y la pantalla parpadeará si la señal medida es mayor que la lectura de la pantalla (función V.A.W).

DetECCIÓN DE TENSION

Se encenderá el indicador LED con forma de rombo rojo si la mordaza ha detectado algún campo eléctrico.



Indicador acústico

El medidor pita una vez por cada pulsación de tecla válida, y dos veces si no es válida.

Opciones de encendido

Pulse una de las teclas siguientes mientras enciende el medidor desde la posición de apagado.

Tecla de navegación hacia arriba: Se muestra la versión del software.





Tecla de navegación hacia abajo: Desactivación del apagado automático.

Tecla de navegación hacia la izquierda: Se desactiva la retroiluminación.

Tecla de retención: Muestra todos los símbolos de la pantalla LCD durante unos 10 segundos.

Indicación de la carga de la batería

El usuario puede conocer el estado de la batería por medio del indicador.

Carga	Descripción
	Carga completa
	Quedan 2/3 de carga
	Queda 1/3 de carga
	Para evitar lecturas falsas, cambie la batería tan pronto como aparezca el indicador de batería con poca carga.

Consulte el apartado MANTENIMIENTO Y REPARACIÓN si necesita instrucciones para cambiar la batería.

ESPECIFICACIONES


Especificaciones generales

Recuento de pantalla: 10000 o 4000

Frecuencia de medición: 3 veces por segundo.

Pantalla de sobrerango: "OL" o "-OL".

Apagado automático: Aproximadamente 15 minutos.

Indicador de poca carga de la batería: Aparece  en la pantalla. Cambie la batería cuando aparezca el indicador en la pantalla.

Requisitos de alimentación: Batería de 9 V.

Vida útil de la batería: ALCALINA 9 V, 50 horas (sin retroiluminación).

Condiciones ambientales

Uso en interiores

Calibración: Ciclo de calibración de un año.

Temperatura de funcionamiento: 0 °C ~ 10 °C
11 °C ~ 30 °C (≅ 80 % HR)
30 °C ~ 40 °C (≅ 75 % HR)
40 °C ~ 50 °C (≅ 45 % HR)

Temperatura de almacenamiento: -10 a 50 °C para corriente,
-20 a 60 °C para el resto de las funciones,
0 a 80 % HR (sin batería instalada).

Coefficiente de temperatura: 0,2 x (exactitud especificada) / °C, < 18 °C, > 28 °C.

Categoría de sobretensión: CAT IV 600 V, CAT III 1000 V

CAT	Campo de aplicación
I	Circuitos no conectados a la red.
II	Circuitos conectados directamente a una instalación de baja tensión.
III	Instalación en edificios.
IV	Fuente de instalación de baja tensión.

Directivas de CENELEC: Este instrumento cumple con la directiva CENELEC de bajo voltaje 2006/95/EC y la Directiva de compatibilidad electromagnética 2004/108/CE.

Conformidad con normas de seguridad:

- IEC / EN 61010-1 Ed. 3.0, UL 61010-1 (2ª edición.), CAN/CSA-C22.2 No.61010-1-04 a Categoría de medición III 600 V, Grado de contaminación 2
- IEC / EN 61010-2-030
- IEC / EN 61010-2-032, CAN/CSA-C22.2 No.61010-2-032-04
- IEC / EN 61010-031 (cables de prueba)

EMC: cumple con todos los requisitos de las normas IEC / EN 61326-1

Altitud de funcionamiento: Hasta 2000 m (6562 pies)

Tamaño de conductores:

37 mm de diámetro en ACD-50NAV, ACD-51NAV, ACDC-52NAV
42 mm de diámetro en ACD-53NAV, ACDC-54NAV

Vibración por impacto: Vibración sinusoidal conforme a MIL-T- 28800E (5 ~ 55 Hz, 3 g máximo).

Protección contra caídas: Caída de 1,20 m (4 pies) sobre madera dura o suelo de hormigón.

Especificaciones eléctricas

Exactitud de \pm (% lectura + número de dígitos) a 23 °C \pm 5 °C < 80 % HR.

(1) Tensión

ACD-50NAV, ACD-51NAV, ACDC-52NAV, ACD-53NAV, ACDC-54NAV		
Función	Rango	Exactitud*
V CC	99,99 V	\pm (0,7 % + 2 díg)
	999,9 V	
V CA	99,99 V	\pm (1,0 % + 5 díg)
	999,9 V	50 ~ 500 Hz
LPF	99,99 V	50 ~ 60 Hz \pm (1 % + 5 díg)
	999,9 V	61 ~ 400 Hz \pm (5 % + 5 díg)

* CC V < 1000 dígitos, añadir 6 dígitos a la exactitud. CA V < 1000 dígitos, añadir 3 dígitos a la exactitud.

Protección contra sobrecargas: 1000 V rms

Impedancia de entrada: 3,5 M Ω // < 100 pF

Tipo de conversión de CA: Las conversiones de CA son acopladas a CA, con respuesta a RMS verdadero, calibradas al valor de RMS de una entrada de onda sinusoidal. Las exactitudes corresponden a ondas sinusoidales a escala completa y ondas no sinusoidales por debajo de media escala. Para ondas no sinusoidales (50/60Hz), añade las siguientes correcciones de factor de cresta:

Para un factor de cresta de 1,4 a 2,0, añade 1,0 % a la exactitud.

Para un factor de cresta de 2,0 a 2,5, añade 2,5 % a la exactitud.

Para un factor de cresta de 2,5 a 3,0, añade 4,0 % a la exactitud.

CF 3 a 460 V, 460 A (ACD-53NAV, ACDC-54NAV),

280 A (ACD-50NAV, ACD-51NAV, ACDC-52NAV)

2 a 690 V, 690 A (ACD-53NAV, ACDC-54NAV),

420 A (ACD-50NAV, ACD-51NAV, ACDC-52NAV)

Exactitud de CA+CC V rms: La misma que espec. V CA + espec. V CC

(2) Corriente

ACD-50NAV, ACD-51NAV, ACD-53NAV		
Función	Rango	Exactitud
A CA	99,99 A	50 ~ 60 Hz \pm (1,5 % + 5 díg) **
	599,9 A / 999,9 A*	61 ~ 400 Hz \pm (2 % + 5 díg) **
LPF A CA	0,10 A ~ 99,99 A	50 ~ 60 Hz \pm (1,5 % + 5 díg) **
	599,9 A / 999,9 A*	61 ~ 400 Hz \pm (5 % + 5 díg) **

* ACD-50NAV, ACD-51NAV: 599,9 A; ACD-53NAV: 999,9 A

** Si el valor medido < 1000 dígitos, añade 5 dígitos a la exactitud.

ACDC-52NAV, ACDC-54NAV		
Función	Rango	Exactitud
A CC	99,99 A	$\pm (1,5 \% + 0,2 A)$
	599,9 A / 999,9 A*	$\pm (1,5 \% + 5 \text{ díg})^{**}$
A CA	0,10 A ~ 99,99 A	50 ~ 60 Hz $\pm (1,5 \% + 5 \text{ díg})^{**}$
	599,9 A / 999,9 A*	61 ~ 400 Hz $\pm (2 \% + 5 \text{ díg})^{**}$
LPF A CA	0,10 A ~ 99,99 A	50 ~ 60 Hz $\pm (1,5 \% + 5 \text{ díg})^{**}$
	599,9 A / 999,9 A*	61 ~ 400 Hz $\pm (5 \% + 5 \text{ díg})^{**}$

* ACDC-52NAV: 599,9 A ; ACDC-54NAV: 999,9 A

** Si el valor medido < 1000 dígitos, añade 5 dígitos a la exactitud.

Protección contra sobrecargas: 1000 A rms en ACD-53NAV, ACDC-54NAV
600 A rms en ACD-50NAV, ACD-51NAV, ACDC-52NAV

Error de posición: $\pm 1 \%$ de la lectura.

El tipo de conversión de CA y la exactitud adicional son los mismos que para la tensión de CA.

Exactitud de CA+CC A rms: La misma que espec. A CA + espec. A CC

- Para mayor exactitud de medición de corriente alta, no realice mediciones superiores a 10 minutos (ACD-50NAV, ACD-51NAV, ACD-53NAV)
- El valor de A CC se ve afectado por la temperatura y el magnetismo residual.

Mantenga pulsada la tecla de retención de datos (HOLD) durante más de 2 segundos para compensarlo.

(3) Retención de valores pico: Pico MAX / Pico MIN

ACD-50NAV, ACD-51NAV, ACDC-52NAV		
Función	Rango	Exactitud
V CA	140,0 V	$\pm (3,0 \% + 15 \text{ díg})$
	1400 V	
A CA	140,0 A	$\pm (3,0 \% + 15 \text{ díg})$
	850 A	

ACD-53NAV, ACDC-54NAV		
Función	Rango	Exactitud
V CA	140,0 V	$\pm (3,0 \% + 15 \text{ díg})$
	1400 V	
A CA	140,0 A	$\pm (3,0 \% + 15 \text{ díg})$
	1400 A	

Protección contra sobrecargas: 1000 V rms
600 A rms en ACD-50NAV, ACD-51NAV, ACDC-52NAV
1000 A rms en ACD-53NAV, ACDC-54NAV

Exactitud definida para:

Onda sinusoidal, V CA > 5 V rms / A CA ≥ 5 A rms, Frec. 50 ~ 400 Hz.

- Adecuado únicamente para los sucesos repetitivos.

(4) Frecuencia

ACD-50NAV, ACD-51NAV, ACDC-52NAV, ACD-53NAV, ACDC-54NAV		
Función	Rango	Exactitud
Frecuencia	20,00 ~ 99,99 Hz	± (0,5 % + 3 dígit)
	20,00 ~ 999,9 Hz	
	0,020 ~ 9,999 KHz	

Protección contra sobrecargas: 1000 V rms
 600 A rms en ACD-50NAV, ACD-51NAV, ACDC-52NAV
 1000 A rms en ACD-53NAV, ACDC-54NAV

Sensibilidad:

10 ~ 100 V rms en el rango de 100 V de CA
 10 ~ 100 A rms en el rango de 100 A de CA (> 400 Hz sin especificar)
 100 ~ 1000 V rms en el rango de 1000 V de CA
 100 ~ 600/1000 A rms en el rango de 600 A/1000 A de CA (> 400 Hz sin especificar)
 - La lectura será de 0,0 en señales inferiores a 10,0 Hz.

(5) Distorsión total de armónicos:

ACD-50NAV, ACD-51NAV, ACDC-52NAV, ACD-53NAV, ACDC-54NAV		
Función	Rango	Exactitud
A CA / V CA	99,9 %	± (3,0 % + 10 dígit)

Medición de la distorsión de armónicos:

ACD-50NAV, ACD-51NAV, ACDC-52NAV, ACD-53NAV, ACDC-54NAV		
Orden de armónicos	Rango	Exactitud
H01 ~ H12	99,9 %	± (5 % + 10 dígit)
H13 ~ H25		± (10 % + 10 dígit)

Protección contra sobrecargas: 1000 V rms
 600 A rms en ACD-50NAV, ACD-51NAV, ACDC-52NAV
 1000 A rms en ACD-53NAV, ACDC-54NAV

- Si V CA < 10 V rms o A CA < 10 A rms, la pantalla mostrará "rdy".
- Si la frecuencia del armónico fundamental queda fuera del rango 45 ~ 65 Hz, la pantalla mostrará "out.F".

(6) Corriente de irrupción:

ACD-50NAV, ACD-51NAV, ACDC-52NAV, ACD-53NAV, ACDC-54NAV		
Función	Rango	Exactitud
A CA	99,99 A	± (2,5 % + 0,2 A)
	599,9 A / 999,9 A*	± (2,5 % + 5 dígit)

* ACD-50NAV, ACD-51NAV, ACDC-52NAV: 599,9 A
 ACD-53NAV, ACDC-54NAV: 999,9 A

Protección contra sobrecargas: 1000 V rms
 600 A rms en ACD-50NAV, ACD-51NAV, ACDC-52NAV
 1000 A rms en ACD-53NAV, ACDC-54NAV

Exactitud definida para:
 Onda sinusoidal, A CA \geq 10 A rms, Frec. 50/60 Hz
 - Tiempo de integración, aproximadamente 100 ms

(7) Potencia activa: Vatios (CC/CA)

ACD-50NAV, ACD-51NAV, ACDC-52NAV, ACD-53NAV, ACDC-54NAV		
Función	Rango	Exactitud
W CA / W CC	9,999 KW**	A,error×V,lectura+ V,error×A,lectura
	99,99 KW	
	599,9 KW / 999,9 KW*	

* ACD-50NAV, ACD-51NAV, ACDC-52NAV: 599,9 KW

ACD-53NAV, ACDC-54NAV: 999,9 KW

** Si el valor medido es < 1000 kW, añade 10 dígitos a la exactitud.

Protección contra sobrecarga: 1000 V rms
 600 A rms en ACD-50NAV, ACD-51NAV, ACDC-52NAV
 1000 A rms en ACD-53NAV, ACDC-54NAV

Exactitud definida para:
 W CA:
 Onda sinusoidal, V CA \geq 10 V rms, A CA \geq 5 A rms
 Frec. 50 ~ 60 Hz, PF = 1,00
 W CC (sólo ACDC-52NAV, ACDC-54NAV):
 V CC \geq 10 V, A CC \geq 5 A

(8) Factor de potencia:

ACD-50NAV, ACD-51NAV, ACDC-52NAV, ACD-53NAV, ACDC-54NAV		
Función	Rango	Exactitud*
PF	-1,00 ~ 0,00 ~ 1,00	$\pm 3^\circ \pm 1$ díg

* A CA < 100 A, añade $\pm 2^\circ$ a la exactitud (ACD-50NAV, ACD-51NAV, ACD-53NAV)

Protección contra sobrecargas: 1000 V rms
 600 A rms en ACD-50NAV, ACD-51NAV, ACDC-52NAV
 1000 A rms en ACD-53NAV, ACDC-54NAV

(9) Resistencia \ Continuidad \ Diodo:

ACD-50NAV, ACD-51NAV, ACDC-52NAV, ACD-53NAV, ACDC-54NAV		
Función	Rango	Exactitud
Resistencia	999,9 Ω	$\pm (1,0 \% + 5 \text{ díg})$
	9,999 k Ω	$\pm (1,0 \% + 3 \text{ díg})$
	99,99 k Ω	
Continuidad	999,9 Ω	$\pm (1,0 \% + 5 \text{ díg})$
Diodo	0,40 ~ 0,80 V	$\pm 0,1 \text{ V}$

Protección contra sobrecargas: 1000 V rms

Máx. Corriente de prueba: Aprox. 0,5 mA.

Tensión máxima en circuito abierto para Ω , $\mu\Omega$) aprox. 3 V

Tensión máxima en circuito abierto para diodo: Aprox. $\pm 1,8 \text{ V}$

Comprobación de continuidad:

Umbral de continuidad: < 30 ohmios, pitido activado.

< 100 ohmios, pitido desactivado.

Indicador de continuidad: Indicador acústico de tonos de 2 KHz

(10) Capacitancia:

ACD-50NAV, ACD-51NAV, ACDC-52NAV, ACD-53NAV, ACDC-54NAV		
Función	Rango	Exactitud
Capacitancia	3,999 μF	$\pm (1,9 \% + 8 \text{ díg})$
	39,99 μF	
	399,9 μF	
	3999 μF	

Protección contra sobrecargas: 1000 V rms

(11) Temperatura:

ACD-51NAV, ACDC-54NAV		
Función	Rango	Exactitud
°C	-50 °C ~ 99,9 °C	$\pm (1 \% + 2 \text{ }^\circ\text{C})$
	100 °C ~ 399,9 °C	$\pm (1 \% + 1 \text{ }^\circ\text{C})$
	400 °C ~ 1000 °C	
°F	-58 °F ~ 211,9 °F	$\pm (1 \% + 4 \text{ }^\circ\text{F})$
	212,0 °F ~ 751,9 °F	$\pm (1 \% + 2 \text{ }^\circ\text{F})$
	752 °F ~ 1832 °F	

Protección contra sobrecargas: 1000 V rms

- La especificación anterior presupone una estabilidad de la temperatura ambiente dentro de un margen de $\pm 1 \text{ }^\circ\text{C}$. Además, es necesario que la sonda de temperatura lleve más de 1 hora conectada al medidor antes de realizar la medición.
- El medidor tarda 2 horas para alcanzar la estabilidad si la variación de la temperatura ambiente es superior a $\pm 5 \text{ }^\circ\text{C}$.

(12) μ A CC:

ACD-51NAV		
Función	Rango	Exactitud
μ A CC	999,9 μ A CC	$\pm (1,7 \% + 2 \text{ díg})$

* < 1000 dígitos, añade 3 dígitos a la exactitud.

Protección contra sobrecargas: 1000 V rms

MANTENIMIENTO Y REPARACIÓN

⚠ PRECAUCIÓN

Para evitar descargas eléctricas, desconecte el medidor de cualquier circuito, retire los conductores de prueba de las tomas de entrada y apague el instrumento antes de abrir la caja. No lo utilice con la caja abierta. Instale únicamente una batería del mismo tipo o su equivalente.

Resolución de problemas

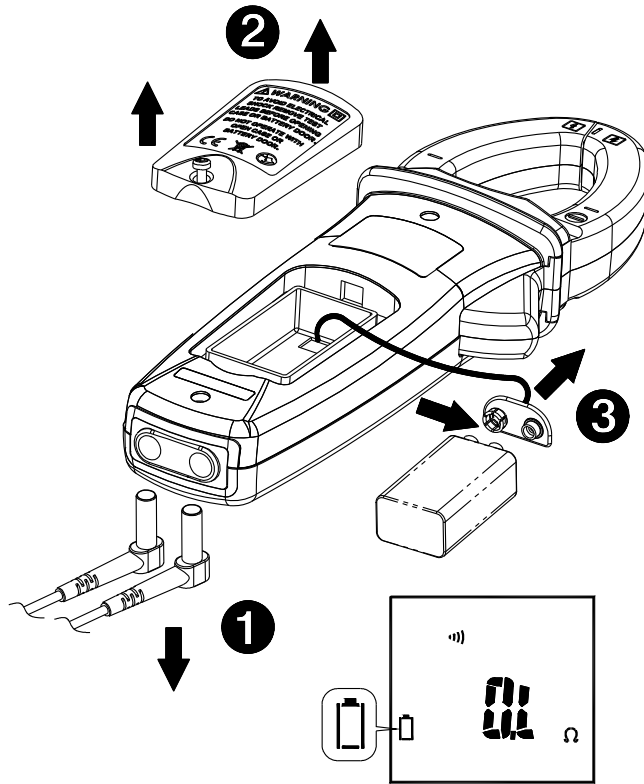
Si el instrumento no funciona, revise la batería, los fusibles, los conductores, etc., y cámbielos según sea necesario. Verifique el procedimiento de uso que se describe en este manual de uso. Si el terminal de entrada de tensión-resistencia se ha visto sometido por accidente o por condiciones anormales de funcionamiento a corrientes transitorias de alta tensión (causadas por rayos o sobrecargas por conmutación en el sistema), las resistencias en serie fusibles se quemarán (pasarán a tener impedancia alta) como si fueran fusibles para proteger al usuario y al instrumento. La mayoría de las funciones de medición a través de este terminal se convertirán entonces en un circuito abierto. Un técnico cualificado deberá cambiar las resistencias en serie fusibles y los descargadores de protección. Remítase al apartado GARANTÍA LIMITADA para obtener servicio bajo garantía o servicio de reparación.

Limpieza y almacenamiento

Limpie periódicamente la caja con un paño húmedo y un detergente suave; no utilice abrasivos ni solventes. Si no planea utilizar el instrumento durante períodos de más de 60 días, retire la batería y guárdela por separado.

Cambio de la batería

1. Retire los conductores de prueba y apague el medidor.
2. Afloje el tornillo de la tapa de acceso a la batería en la caja. Levante la tapa de acceso a la batería, y junto con ella el compartimento de la batería, hacia arriba.
3. Cambie la batería (pila alcalina de 9 V NEDA1604A, JIS6AM6 o IEC6LF22)
4. Vuelva a colocar la tapa de acceso a la batería y vuelva a apretar el tornillo.



⚠ PRECAUCIÓN

Antes de abrir la tapa de la batería o la caja del medidor, retire los conductores de prueba del medidor.

Visit www.Amprobe.com for

- Catalog
- Application notes
- Product specifications
- User manuals



Please Recycle