

Data Sheet

1008 Stainless Steel Case Gauge

FEATURES

- Corrosion resistant stainless steel case
- Dry gauges are field fillable
- PowerFlex™ movement provides superior resistance to shock, vibration and pulsation
- True Zero™ reduces reading errors by using “zero box” instead of conventional dial pins
- **PLUS!**™ performance available for liquid filled performance with a dry gauge
- MSL helium leak tested to 1X10⁻⁶ scc/s
- Ventable fill plug
- Accessory kits for easy panel mounting (u-clamp and front flange)

TYPICAL USES

- Pumps and compressors
- Hydraulic and pneumatics
- Specialized OEM equipment
- Food and beverage



SPECIFICATIONS

Accuracy:	±1.6% of span (Dry) ±2% of span (Liquid filled)
Dial Sizes:	63mm (2½”), 100mm (3½”)
Ranges:	Minimum 0-15 psi, maximum 0-15,000 psi, vacuum and compound

Wetted Materials

Tube:	316L SS
Process Connection:	316L SS

Non Wetted Materials

Window:	Polycarbonate
Dial:	Black figures on white background, aluminum
Pointer:	Black, aluminum
Movement:	PowerFlex™ movement, inaccessible Bottom plate – 304 SS Upper plate – 304 SS Pin – 304 SS Hairspring assembly – 304 SS Pinion – 304 SS Segment - Glass filled polyester
Case:	304 SS (Std.), 316L SS (XYW)
Ring:	304 SS (Std.), 316L SS (XYW)
Process Connection Location:	Lower, Back, Top, 3 o'clock, 9 o'clock
Process Connection Sizes:	½ NPT, ¼ NPT (see ordering code for more options)
Dampening:	Glycerin case fill (Std. liquid fill), Silicone case fill (XGV), Halocarbon® case fill (XGX), PLUS! ™ Performance (XLL)

KEY BENEFITS

- IP65 Rating
- NEMA 4X
- CRN Approved
- PED
- **PLUS!**™ Performance (XLL)

Weather Protection:	IP65 (Plug closed), IP54 (Plug vented) NEMA 4X (Plug closed)
Approvals:	CRN, RoHS, PED
Options	YW - 316L SS case and ring and flange SM - All SS movement LL - PLUS! ™ performance 6B - Cleaned for oxygen service FF - Front flange FW - Back flange UC - U-clamp (see ordering code for more options)

MIN/MAX TEMPERATURE LIMITS

Version	Ambient	Process	Storage
Dry	-40/200°F (-40/93°C)	-40/250°F (-40/121°C)	-40/250°F (-40/121°C)
PLUS!	-40/150°F (-40/66°C)	-40/200°F (-40/93°C)	-40/150°F (-40/66°C)
Glycerin Fill	20/150°F (-7/66°C)	20/200°F (-7/93°C)	0/150°F (-18/66°C)
Silicone Fill	-40/150°F (-40/66°C)	-40/200°F (-40/93°C)	-40/150°F (-40/66°C)
Halocarbon Fill	-40/150°F (-40/66°C)	-40/200°F (-40/93°C)	-40/150°F (-40/66°C)

Data Sheet

1008 Stainless Steel Case Gauge

ORDERING CODE

Example: **631008 S L 02 L XC4 15#**

Dial Size/Series Code	System	Case Fill	Process Connection Sizes	Connection Location	Options	Range (coding examples only, see range table for all standard ranges)
631008 – Stainless steel case	S	Dry, liquid fillable case	01 - 1/8" NPT Male	L - Lower mount connection	LL - PLUS! ™ performance	Single Scales
101008 – Stainless steel case		L - Liquid filled case (Glycerin standard)	02 - 1/4" NPT Male	B - Lower back mount connection	GV - Silicone case fill	15# - 15 psi
			04 - 1/2" NPT Male, lower only	D - Side connection (3 o'clock)	GX - Halocarbon case fill	1BR - 1 bar
			RW - SAE 7/16 & 20 Straight thread	E - Side connection (9 o'clock)	TU - Throttling device for ranges up to 1000 psi	1KSC - 1 kilograms per sq. cm
			KJ - 1/4" Straight JIS, BSP	T - Top connection	TS - Throttling device for ranges up to 15,000 psi	100KP - 100 kilopascal
			KA - 1/4" Tapered JIS, BSP		6B - Cleaned for oxygen service	Dual Scales
			13 - G 1/4" DIN		NH - Stainless steel tag wired to case	15#/BR - 15 psi inner scale, 1 bar outer scale
			JP - 1/4" Tubing, no throttle plug (max pressure 10,000 psi)		FF - Front flange	1BR/# - 1 bar inner scale, 15 psi outer scale
			JQ - 6mm Tubing, no throttle plug (max pressure 6,000 psi)		FW - Back flange	
					UC - U-clamp	
					C4 - Individual calibration chart in accordance with ASME B40.100:2013. Accuracy traceable to N.I.S.T	
					SM - All stainless steel movement	
					YW - 316L stainless steel case and ring	

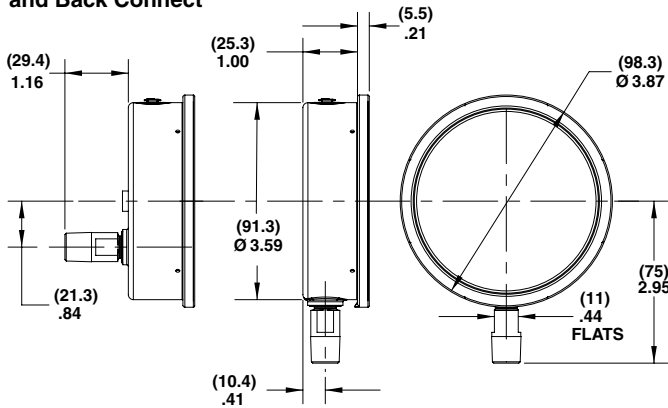
1008 Stainless Steel Case Gauge

STANDARD RANGES				
psi	bar	kPa	Mpa	kg/cm ²
30IMV	-1BR	-100KP	-.1MP	-1KSC
-	-1&.6BR	-100&60KP	-.1&.06MP	-1&.6KSC
30IMV&15#	-	-	-	-
-	-1&1.5BR	-100&150KP	-.1&.15MP	-1&1.5KSC
30IMV&30#	-	-	-	-
-	-1&3BR	-100&300KP	-.1&.3MP	-1&3KSC
30IMV&60#	-	-	-	-
-	-1&5BR	-100&500KP	-.1&.5MP	-1&5KSC
30IMV&100#	-	-	-	-
-	1&9BR	-100&900KP	-.1&.9MP	-1&9KSC
15#	1BR	100KP	.1MP	1KSC
20#	-	-	-	-
-	1.6BR	160KP	.16MP	1.6KSC
30#	-	-	-	-
-	2.5BR	250KP	.25MP	2.5KSC
60#	4BR	400KP	.4MP	4KSC
-	6BR	600KP	.6MP	6KSC
100#	-	-	-	-
120#	-	-	-	-
-	10BR	1000KP	1MP	10KSC
160#	-	-	-	-
200#	-	-	-	-
-	16BR	1600KP	1.6MP	16KSC
300#	-	-	-	-
-	25BR	2500KP	2.5MP	25KSC
400#	-	-	-	-
500#	-	-	-	-
600#	40BR	4000KP	4MP	40KSC
800#	-	-	-	-
-	60BR	6000KP	6MP	60KSC
1000#	-	-	-	-
1500#	100BR	10000KP	10MP	100KSC
2000#	-	-	-	-
-	160BR	16000KP	16MP	160KSC
3000#	-	-	-	-
-	250BR	25000KP	25MP	250KSC
4000#	-	-	-	-
5000#	-	-	-	-
6000#	400BR	40000KP	40MP	400KSC
8000#	-	-	-	-
-	600BR	60000KP	60MP	600KSC
10000#	-	-	-	-
15000#	1000BR	100000KP	100MP	1000KSC

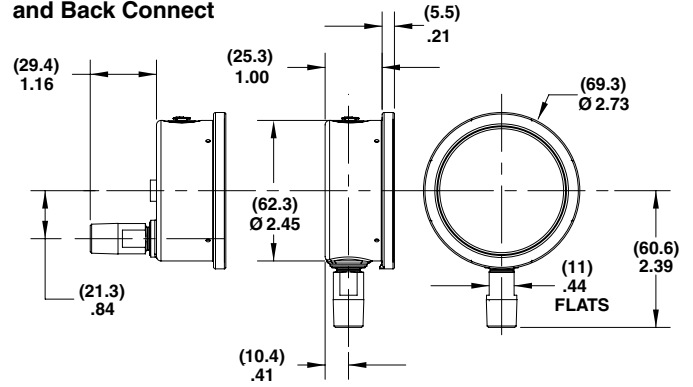
1008 Stainless Steel Case Gauge

DIMENSIONS (dimensions in [] are millimeters)

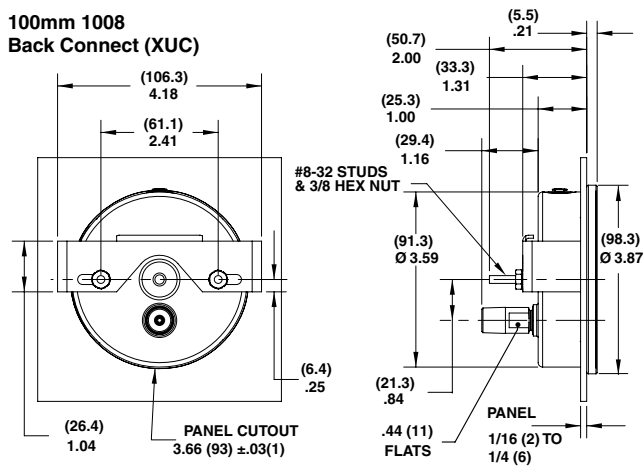
100mm 1008 Lower and Back Connect



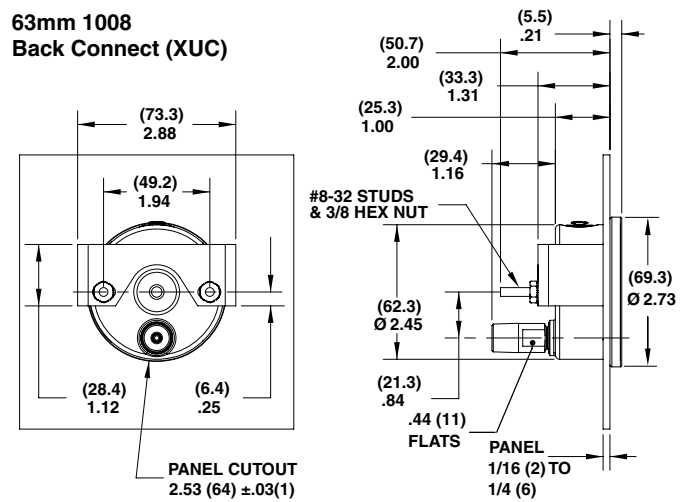
63mm 1008 Lower and Back Connect



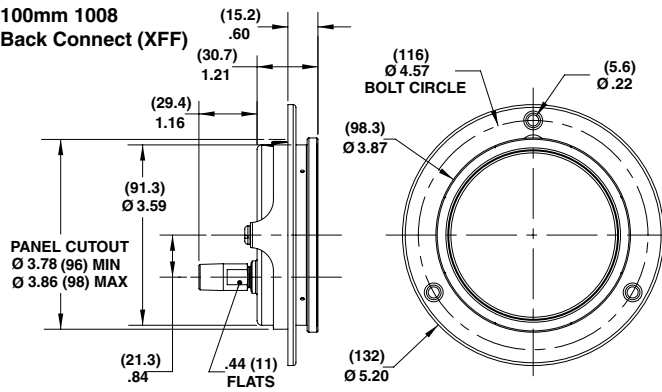
100mm 1008 Back Connect (XUC)



63mm 1008 Back Connect (XUC)



100mm 1008 Back Connect (XFF)



63mm 1008 Back Connect (XFF)

