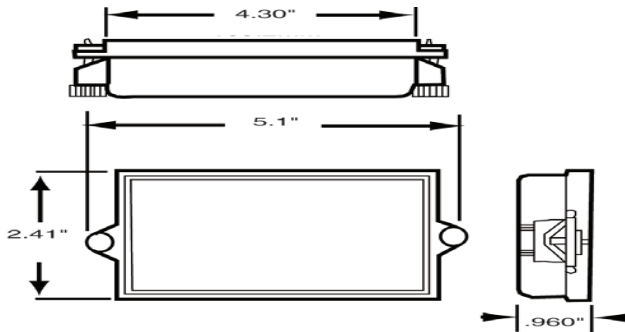


1/8 DIN NEMA 4 Removable Cover

- Protects 1/8 DIN indicators and controllers
- Dust tight and water tight to NEMA 4 standards
- Removable front cover allows access to programming buttons or scaling potentiometers



Dimensions



| Specifications | |
|---------------------------|---|
| Lens Material | Clear 94-V-0 UL-rated polycarbonate with UV inhibitor |
| Gasket Material | Closed Cell Neoprene |
| Bezel Material | Steel |
| Bezel Finish | Black Polyurethane |
| Bezel Dimensions | 4.3" x 2.41" x 0.28" (109.2mm x 61.2mm x 7.1mm) |
| Overall Dimensions | 4.3" x 2.41" x 0.96" (109.2mm x 61.2mm x 24.4mm) |
| Panel Cutout | 3.66" x 1.79" (93mm x 45.5mm) |

Ordering Information

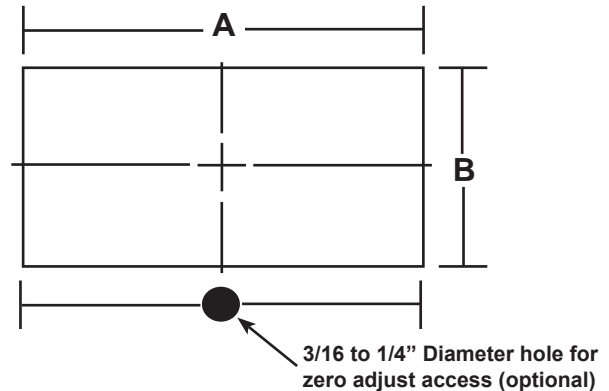
| | |
|--------------------|--------------|
| Catalog No. | 45003 |
|--------------------|--------------|

Bezel Kits

This bezel kit provides an attractive appearance for Wide-View analog panel meters. Die cast with a black satin finish, bezel kits are designed for behind panel mounting and can accommodate a panel thickness from 1/8" to 3/16". All required mounting hardware is included.



Panel Cutout



Ordering Information

| Size | Panel Cutout | | Catalog No. |
|--------|--------------|--------|-------------|
| | A | B | |
| 3-1/2" | 3.406" | 2.094" | 01253Z |
| 4-1/2" | 4.812" | 2.750" | 01123 |