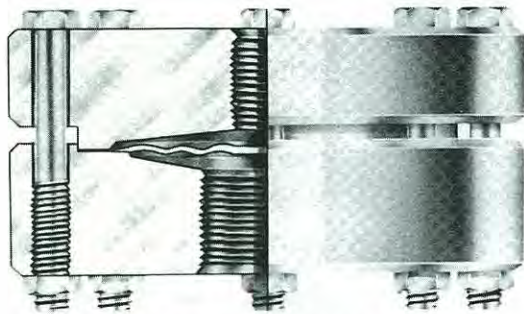
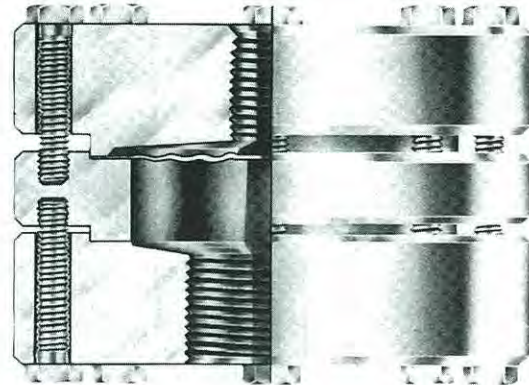


MODEL 42M & 43MCR REMOVABLE DIAPHRAGM SEALS



MODEL 42M & 42MW



MODEL 43MCR

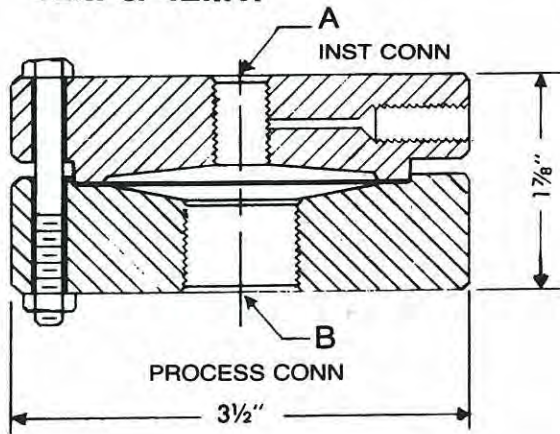
MODEL 42M and 43MCR are clamped metal design diaphragm seals. They feature an interlocking male-female housing construction inside of the bolt circle for proper alignment. Model 43MCR has an added feature of a special clean out ring, especially useful where process medium build-up occurs. The ring is bolted to the top housing and contains the diaphragm, making it field serviceable for cleaning. Flushing connections are available in both models (42M-01 & 43MCR-01). They are available in threaded connections for pressures to 2,500# PSI. Both models include as standard a fill/bleed port screw in the top housing.

Other standard features are choice of 1/4" or 1/2" NPT top connection; top housing is standard in carbon steel; diaphragm is standard in 316 stainless steel.

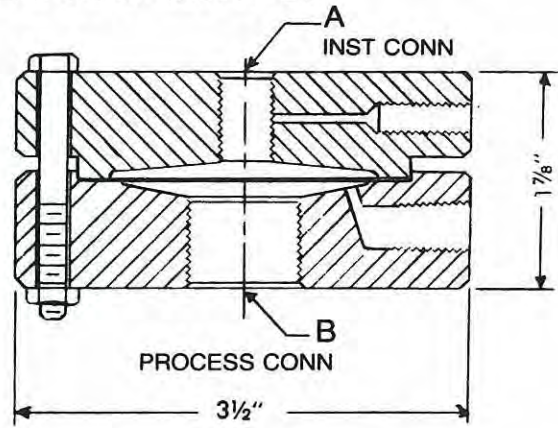
MODEL 42MW & 25FW WELDED DIAPHRAGM SEALS

Welded diaphragm seals are designed to give a continuous filled system. They allow removal of upper housing with instrument from the lower housing without losing fill. These seals are available in threaded models (42MW) for pressure to 2,500# PSI, and flange attached (25FW) for pressures 150# or 300/600#. Higher flange ratings can be furnished upon request. Model 42MW has the same construction and standard features as Model 42M. Model 25FW has the same construction and standard features as Model 25F, except that the diaphragm cannot be replaced in the field. All welded seals include as standard a fill/bleed port in the top housing.

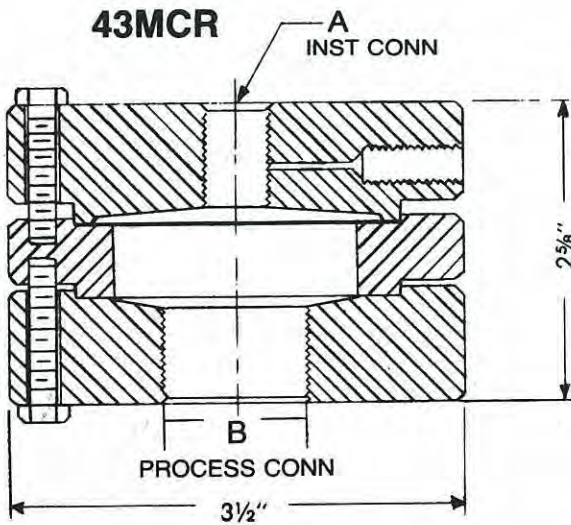
42M & 42MW



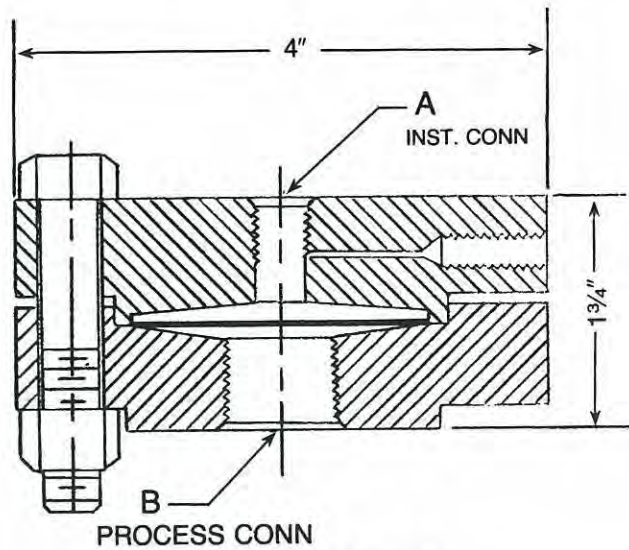
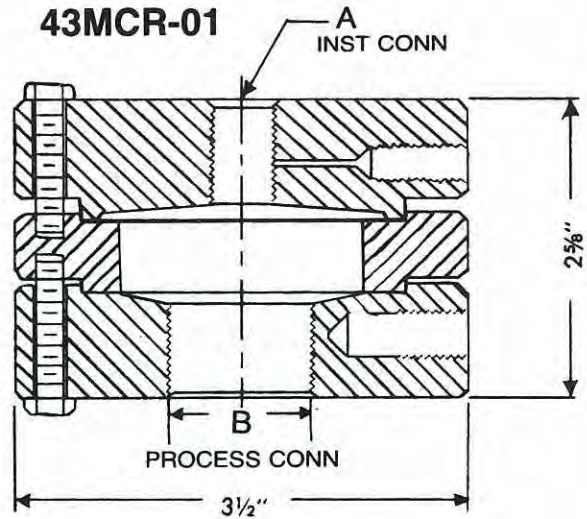
42M-01 & 42MW-01



43MCR



43MCR-01



MODEL 42HP