

Sound Level Meter USB Datalogger - Model 407760

Introduction

Congratulations on your purchase of the 407760 Sound Level Meter Datalogger. This device measures and stores approx. 129,920 readings. Using the supplied Windows™ software, the datalogger can be configured for datalogging rate, high/low alarm limits, frequency weighting, response time, start-mode, and other parameters. The software is also used to download the stored data to a PC. Sound Level data can then be graphed, printed and exported to other applications. The data logger is supplied with a long-life lithium battery. This meter is shipped fully tested and calibrated and, with proper use, will provide years of reliable service.

Operation

To operate the datalogger, the supplied Windows™ software must first be installed and running and the datalogger must be connected to the PC's USB port. Instructions for installing the software are provided on the label of the supplied CD-ROM. The datalogger is configured through the supplied software. Instructions for using the software and the datalogger are provided within the software program by way of the software HELP Utility.

Battery Replacement

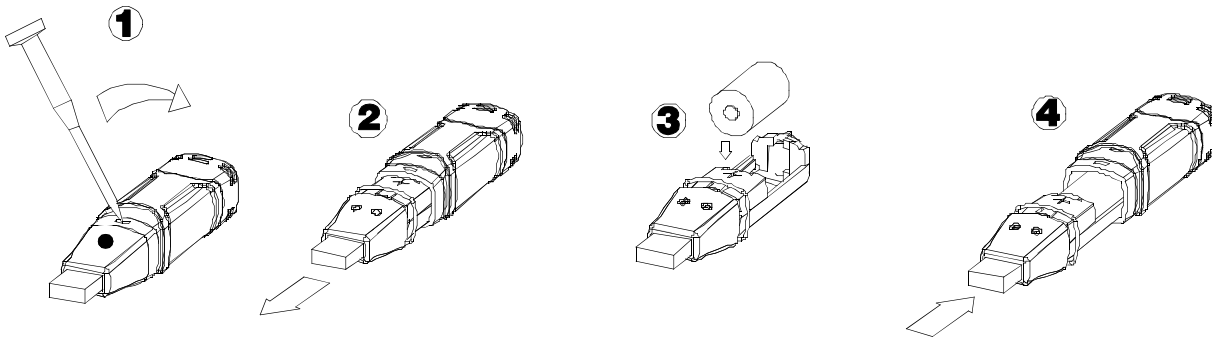
When the battery is low (yellow LED blinking), replace the battery as soon as possible.

The Datalogger retains its stored readings even when the battery is discharged or when the battery is replaced; the data logging process will however be stopped and cannot be re-started until the battery has been replaced and the logged data has been downloaded to PC.

Use only one (1) 3.6V lithium battery (1/2 'AA'). Before replacing the battery, disconnect the datalogger from the PC.

NOTE: Leaving the datalogger plugged into the USB port for longer than necessary will shorten the battery life.

Replace battery as shown in diagrams. Observe battery polarity when installing.



Copyright © 2013-2017 FLIR Systems, Inc.

All rights reserved including the right of reproduction in whole or in part in any form
ISO-9001 Certified