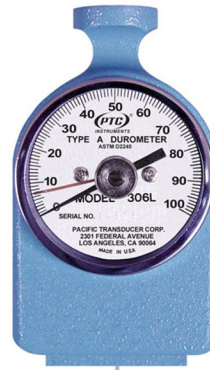




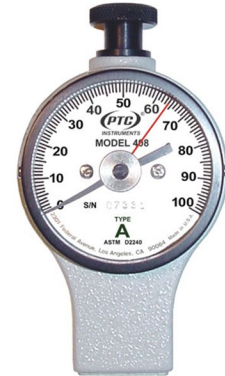
Spring Loaded Durometer Operating Stand Model 320



- Simplifies Hardness Testing
- Increases Repeatability & Reduces User Error
- Provides Correct Load for ASTM Types A-B-C-D-DO and O
- Holds PTC® Classic & Ergo Style Durometers and Others with 8/32 Female Threads



Classic Style



Ergo Style

SPECIFICATIONS

Height	17 in. (43 cm)
Maximum Sample Height	5 in. (12.7 cm)
Width	6 in. (15.2 cm)
Depth	6.5 in. (16.5 cm)
Weight	7 lbs (227 g)
Shipping Weight	14 lbs (6.4 kg)

Precision engineered durometer stand has a calibrated load cell to provide the ASTM recommended force for Types A, B, C, D, DO, & O. When properly used, this stand and your durometer will make highly accurate hardness readings.

The table is self-aligning to allow testing of materials with nonparallel top and bottom surfaces.

The stand will test materials up to 5" thick. Custom stands are available for larger samples.

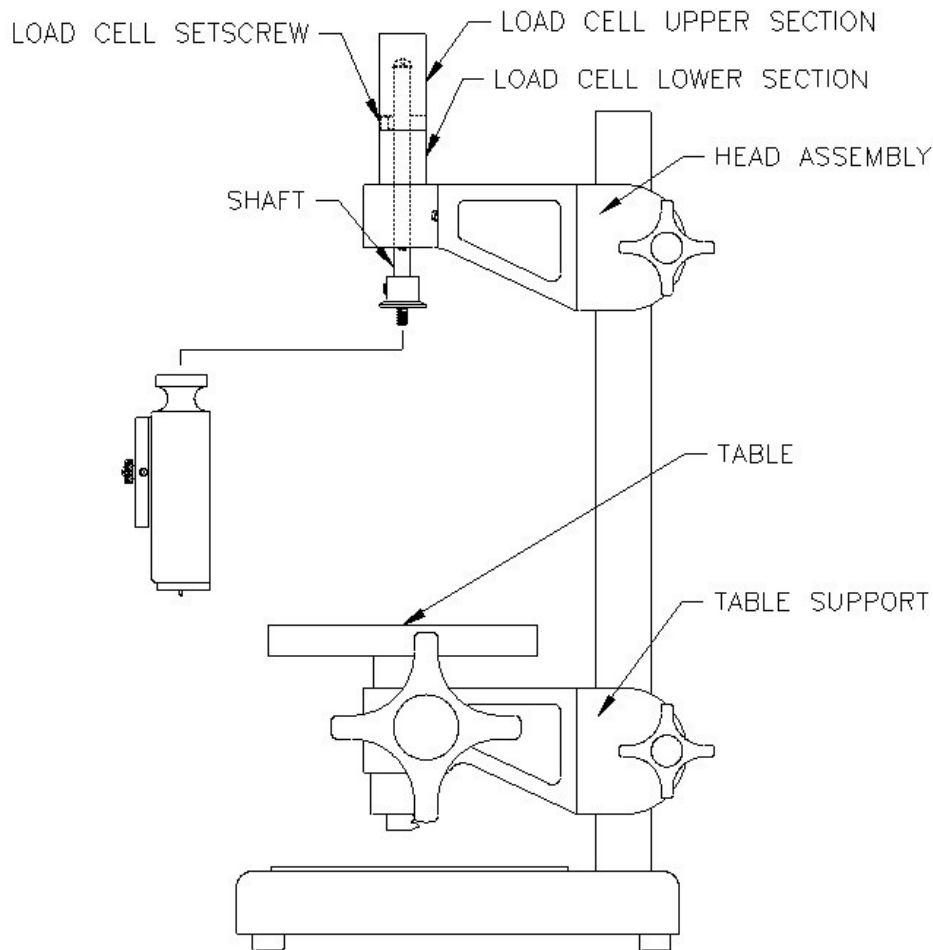
PTC Metrology™ is accredited by A2LA for durometer calibration to ISO/IEC 17025 & ANSI/NCSL Z540-1. NIST traceable certification is available for all durometer types covered by current ASTM D2240, ASTM F1957, ISO 868, ISO 7619 and DIN 5305 standards.

The calibration report will include both "as received" and "as left" data. Complete durometer calibration includes **Indenter Geometry and Extension, Indicator Linearity and Force Curve.**

Other durometer types, custom models and durometers from other manufacturers can also be certified by PTC Metrology™.



320 SET-UP INSTRUCTIONS



BEFORE USING THIS STAND WITH YOUR DUROMETER, IT IS IMPORTANT THAT YOU FOLLOW THESE STEPS IN SETTING UP THIS TEST STAND.

After carefully unpacking the unit, place stand upright on desk or bench.

Mount Type A, B, C, D, DO, or O durometer to the 8-32 setscrew at the bottom of the shaft.

Adjust the head and/or table support so that the durometer is located directly along the centerline of the table. Please note that this alignment is critical.

Place the sample to be measured squarely on the movable stage.

Set and lock the stand so that the durometer foot is about 1/4 inch above the sample. Either the table support or head (upper) assembly can be moved up or down as needed, a hex key is enclosed.

For durometer types A, B, or O: Lift and turn the upper part of the load cell so that the setscrew on the shaft fits into the slot at the imprinted "A" For durometer types C, D, or DO: Follow above, but place setscrew into slot marked "D".

The stand is now set up and ready to make hardness measurements. When making a measurement, turn knob and lift stage so that sample contacts the durometer base and the load cell just separates. See durometer instructions for additional information on testing.

LIMITED LIABILITY WARRANTY

PTC® products are covered by a limited liability warranty from defects in material and workmanship for one year from date of purchase. This warranty does not apply if, in the judgement of PTC®, the product fails due to damage from shipment, handling, storage, accident, abuse or misuse, or if it has been used or maintained in a manner not conforming to product's instructions, has been modified in any way, or has a defaced or removed serial number. Repair by anyone other than PTC® or an approved agent voids this warranty. The maximum liability of PTC® is the product purchase price.