



GENERAL PURPOSE GAUGES

Low Lead Series P-500 Utility Gauges

DESCRIPTION

U.S. Gauge Low Lead Series P-500 gauges adhere to the "Reduction of Lead in Drinking Water Act" enacted by the U.S. Congress, effective January 2014.

U.S. Gauge Low Lead Series P-500 utility gauges provide economical, reliable service in a wide variety of applications including potable water pumps, compressors, and other equipment.

Series P-500 utility gauges come in standard psi ranges with accuracy of $\pm 3-2-3\%$.

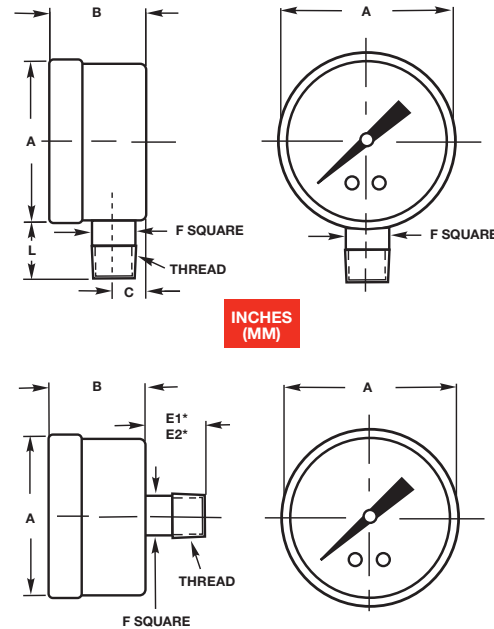
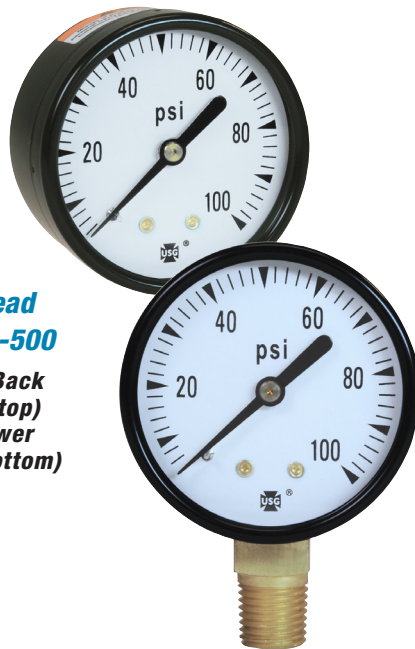
Gauges are available in 1-1/2", and 2" steel cases in center-back and lower mount configurations. Other sizes, ranges, and mounting configurations are available for OEM quantities.

SPECIFICATIONS

- SIZES:** 1-1/2", 2"
- RANGES:** 0-15 through 0-300 psi
- ACCURACY:** $\pm 3-2-3\%$ (Grade B)
- BOURDON TUBE:** Phosphor bronze
- WINDOW:** 1-1/2" is polycarbonate, 2" is glass
- MOVEMENT:** Brass
- DIAL:** Galvalume with white background and black markings
- POINTER:** Aluminum, painted black
- CASE:** Black painted steel
- CONNECTION:** Brass, center-back or lower mount
1/8-27 NPT for 1-1/2"; 1/4-18 NPT for 2"

Other sizes, ranges, and mounting configurations are available for OEM quantities. Custom dials are also available.

Low Lead Model P-500 Center-Back Mount (top) and Lower Mount (bottom)



Dimensions – Low Lead P-500									
Model Number	Dial Sizes	Unit	A	B	C	E1	E2	F	L
P-500	1-1/2"	inches mm	1.64 41.66	.92 23.37	.34 8.66	.62 15.75	–	.44 11.18	.55 13.97
	2"	inches mm	2.16 54.86	1.15 29.21	.40 10.16	.84 21.34	.90 22.86	.55 13.97	.87 22.10

* Length E1 refers to 1/8 NPT connections; E2 refers to 1/4 NPT connections



GENERAL PURPOSE GAUGES



Low Lead Series P-500 Utility Gauges



Spec Number Selection Chart		
Low Lead Series P-500		
Connection	Ranges	1-1/2" Spec No.
1/8-27 LM	0-30 psi	166327NL
	0-60 psi	146002ANL
	0-100 psi	166318NL
	0-160 psi	146004ANL
1/8-27 CBM	0-30 psi	166320NL
	0-60 psi	166321NL
	0-100 psi	166322NL
	0-160 psi	166323NL

Spec Number Selection Chart		
Low Lead Series P-500		
Connection	Ranges	2" Spec No.
1/4-18 LM	0-15 psi	047615ANL
	0-30 psi	163149NL
	0-60 psi	163269NL
	0-100 psi	162988NL
	0-160 psi	163270NL
	0-200 psi	163147NL
	0-300 psi	163148NL
	0-400 psi	047492NL
1/4-18 CBM	0-15 psi	046987NL
	0-30 psi	163949NL
	0-60 psi	163272NL
	0-100 psi	163273NL
	0-160 psi	163274NL
	0-200 psi	163275NL
	0-300 psi	163276NL



GENERAL PURPOSE GAUGES

Series P-500 Low Cost Utility Gauges

DESCRIPTION

U.S. Gauge Series P-500 utility gauges provide economical, reliable service in a wide variety of applications including pumps, compressors, and other equipment.

Series P-500 utility gauges come in PSI standard ranges with accuracy of $\pm 3-2-3\%$.

Gauges are available in 1-1/2", 2", 2-1/2", 3-1/2", and 4-1/2" steel cases in center-back and lower mount configurations.

Low lead offerings that meet "Reduction of Lead in Drinking Water Act" also available. See Low Lead Series P-500 products.

SPECIFICATIONS

SIZES: 1-1/2", 2", 2-1/2", 3-1/2", and 4-1/2"

RANGES: 30" Hg VAC through 0-5000 psi

ACCURACY: $\pm 3-2-3\%$ (Grade B)

BOURDON TUBE: Phosphor bronze

WINDOW: Glass except 1-1/2" is polycarbonate

MOVEMENT: Brass

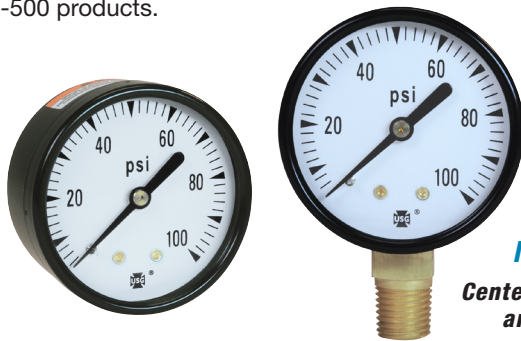
DIAL: Galvalume with white background and black markings

POINTER: Aluminum, painted black (optional lazy hand or tattle pointer for 2-1/2" and 3-1/2" versions)

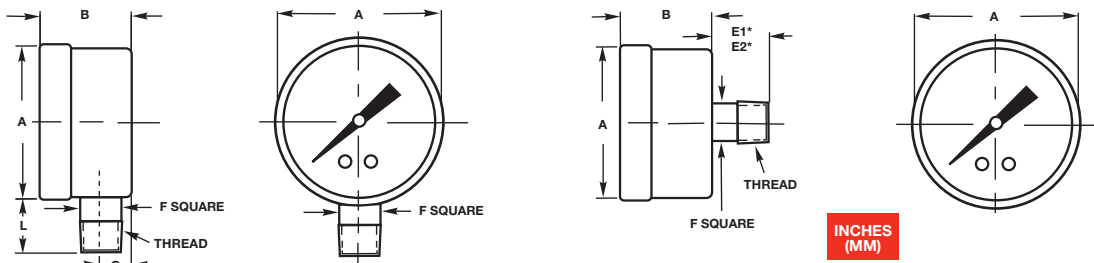
CASE: Black painted steel

CONNECTION: Brass, center-back or lower mount
1/8-27 NPT for 1-1/2" and 2"; 1/4-18 NPT for 2" through 4-1/2"

Other sizes, ranges, and mounting configurations are available for OEM quantities. Custom dials are also available.



Model P-500
Center-Back Mount (left)
and Lower Mount



INCHES (MM)

Dimensions – P-500									
Model Number	Dial Sizes	Unit	A	B	C	E1	E2	F	L
P-500	1-1/2"	inches	1.64	.92	.34	.62	-	.44	.55
		mm	41.66	23.37	8.66	15.75	-	11.18	13.97
	2"	inches	2.16	1.15	.40	.84	.90	.55	.87
		mm	54.86	29.21	10.16	21.34	22.86	13.97	22.10
	2-1/2" LM	inches	2.73	1.15	.39	.48	.25	.82	-
		mm	69.34	29.21	9.91	12.19	6.35	20.83	-
	2-1/2" CBM	inches	2.49	1.21	1.22	-	.28	.84	-
		mm	63.25	30.73	30.99	-	7.11	21.34	-
3-1/2" LM	inches	3.53	1.17	.40	-	.24	.83	-	
	mm	89.66	29.72	10.16	-	6.10	21.08	-	
4-1/2" LM	inches	4.80	1.12	.38	-	.45	1.10	-	
	mm	121.92	28.45	9.65	-	11.43	27.94	-	

* Length E1 refers to 1/8 NPT connections; E2 refers to 1/4 NPT connections





GENERAL PURPOSE GAUGES

Series P-500 Low Cost Utility Gauges

Spec Number Selection Chart

Series P-500							
Connection	Ranges	1-1/2" Spec No.	2" Spec No.	2-1/2" Spec No.	3-1/2" Spec No.	4-1/2" Spec No.	
1/8-27 LM	0-15 psi	146000A	052420A	-	-	-	
	0-30 psi	166327	163931	059306A	-	-	
	0-60 psi	146002A	164005	058129A	-	-	
	0-100 psi	166318	163271	049660A	-	-	
	0-160 psi	146004A	048302A	048536A	-	-	
	0-200 psi	166777	046645A	050852A	-	-	
	0-300 psi	146006A	048363A	046647A	-	-	
	0-600 psi	146007A	-	-	-	-	
	0-1000 psi	146008A	-	-	-	-	
1/8-27 CBM	0-2000 psi	146009A	-	-	-	-	
	0-15 psi	146010A	-	-	-	-	
	0-30 psi	166320	163930	-	-	-	
	0-60 psi	166321	055155A	-	-	-	
	0-100 psi	166322	046776A	-	-	-	
	0-160 psi	166323	070791A	-	-	-	
	0-200 psi	146015A	102673A	-	-	-	
	0-300 psi	146016A	051805A	-	-	-	
	0-600 psi	146017A	-	-	-	-	
1/4-18 LM	0-1000 psi	146018A	-	-	-	-	
	0-2000 psi	146019A	-	-	-	-	
	0-15 psi	-	047615A	047102A	5502A	5546A	
	0-30 psi	-	163149	163278	168536	5804A	
	0-60 psi	-	163269	163279	168537	5551A	
	0-100 psi	-	162988	163280	168538	5554A	
	0-160 psi	-	163270	163281	168539	5559A	
	0-200 psi	-	163147	163282	168540	5561A	
	0-300 psi	-	163148	163283	168541	5563A	
	0-400 psi	-	047492A	049611A	5515A	12265A	
	0-600 psi	-	047493A	046648A	5516A	5337A	
	0-1000 psi	-	047494A	047496A	5519A	12266A	
	0-2000 psi	-	-	171398A	-	-	
0-3000 psi	-	-	171400A	-	-		
0-5000 psi	-	-	143072A	-	-		
1/4-18 CBM	0-15 psi	-	046987A	052827A	-	-	
	0-30 psi	-	163949	165213	-	-	
	0-60 psi	-	163272	165214	-	-	
	0-100 psi	-	163273	163284	-	-	
	0-160 psi	-	163274	163285	-	-	
	0-200 psi	-	163275	163286	-	-	
	0-300 psi	-	163276	163287	-	-	
	0-600 psi	-	046991A	050851A	-	-	
	0-1000 psi	-	-	050870A	-	-	
	0-2000 psi	-	-	171399A	-	-	
	0-3000 psi	-	-	171401A	-	-	
	1/8-27 LM	30"-0-15 psi	-	66662A	-	-	-
		30"-0-60 psi	-	47925A	-	-	-
30"-0-150 psi		-	49609A	-	-	-	
1/4-18 LM	30"-0-15 psi	-	47000A	47001A	5493A	63754A	
	30"-0-30 psi	-	167218	47105A	5495A	5549A	
	30"-0-60 psi	-	57548A	46646A	5496A	12290A	
	30"-0-150 psi	-	50517A	47411A	5499A	12292A	
1/8-27 LM	30"-0-300 psi	-	-	58156A	15936A	-	
1/8-27 CBM	30"-0	146020A	47225A	-	-	-	
1/4-18 LM	30"-0	146021A	-	-	-	-	
1/4-18 LM	30"-0	-	163712	171222A	171223A	5333A	