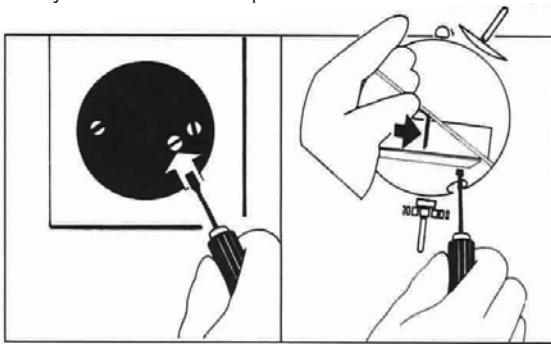


*Barometer Information*

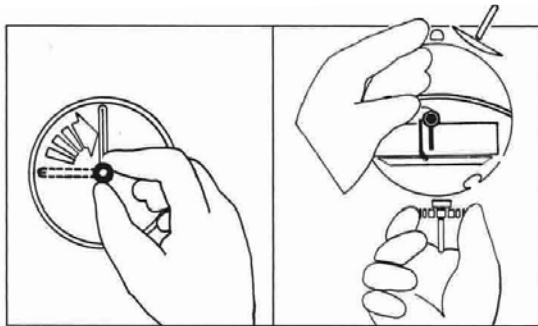
1. The barometer measures the atmospheric pressure in inch/Hg.
2. In order to adjust the barometer correctly, find the present atmospheric pressure of your area (kPa or hPa) and convert the value to inch/Hg.
3. You can get the atmospheric pressure of your area from the local weather service, by telephone or on the internet.

*Setting the Barometer*

Carefully turn the adjusting screw until the pointed value coincides with the atmospheric pressure, better precision can be achieved by lightly tapping the barometer glass. In order to avoid damage, please do not move the meter pointer too far or too quick. It is recommended to adjust the screw in steps.

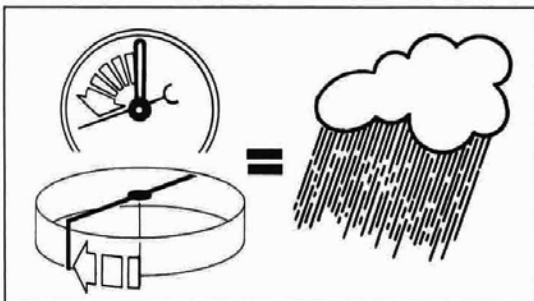


Line up the adjustable needle with the barometer needle daily.

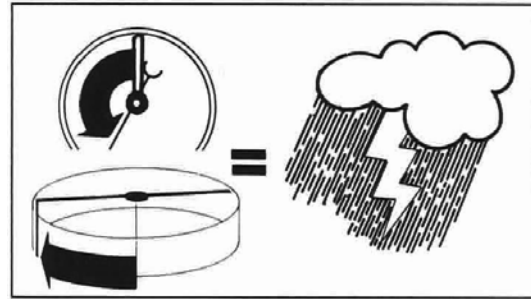


*Forecasting Weather*

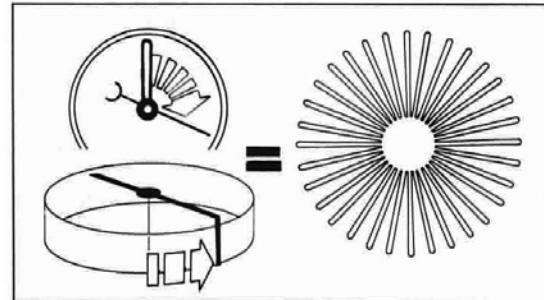
Slowly falling pressure = rain, if the temperature is below 0° this means snow.



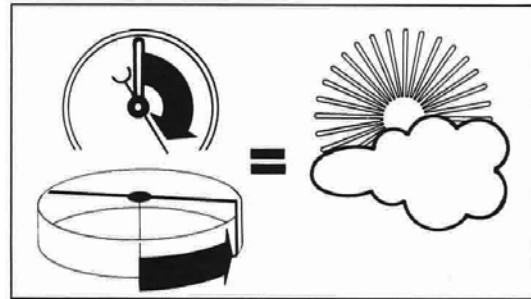
A notable, rapid fall = A storm, if the temperature is below 0° this means a snowstorm.



A notable, rapid rise = Short term fine weather.



Slow, steady rise = a spell of fine weather.



For service, repairs or calibration as well as product information on this or any other Baker products, contact Baker Instruments.