

# Screw Thread Micrometers

## SERIES 326, 126 — Interchangeable Anvil-Spindle Tip Type



### FEATURES

- IP65 water/dust protection (Series 326).
- 60 degree or 55 degree V-anvil and conical spindle (interchangeable) are optional, which are made of high-grade special steel, hardened and precision ground.
- With Ratchet Stop for constant force.
- With SPC output (Series 326).
- With a standard bar except 0 - 25mm and 0 - 1" model.
- Supplied in fitted plastic case.



**126-125**  
Shown with optional anvils



**326-351-10**

### SPECIFICATIONS

Metric		Digital model		
Range	Resolution	Order No.	Accuracy	Mass (g)
0 - 25mm	0.001mm	<b>326-251-10</b>	±4µm	350
25 - 50mm	0.001mm	<b>326-252-10</b>	±4µm	380
50 - 75mm	0.001mm	<b>326-253-10</b>	±4µm	470
75 - 100mm	0.001mm	<b>326-254-10</b>	±5µm	510

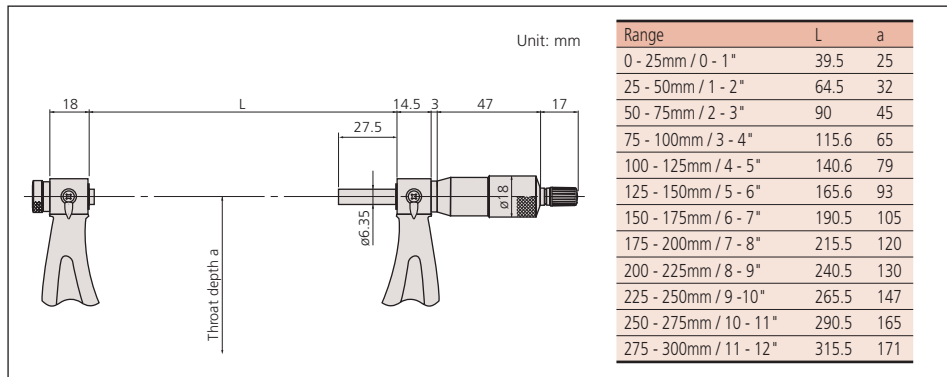
Inch/Metric		Digital model		
Range	Resolution	Order No.	Accuracy	Mass (g)
0 - 1" / 0 - 25.4mm	.00005" / 0.001mm	<b>326-351-10</b>	±.0002"	350
1 - 2" / 25.4 - 50.8mm	.00005" / 0.001mm	<b>326-352-10</b>	±.0002"	380
2 - 3" / 50.8 - 76.2mm	.00005" / 0.001mm	<b>326-353-10</b>	±.0002"	470
3 - 4" / 76.2 - 101.6mm	.00005" / 0.001mm	<b>326-354-10</b>	±.00025"	510

Metric				
Range	Graduation	Order No.	Accuracy	Mass (g)
0 - 25mm	0.01mm	<b>126-125</b>	±4µm	240
25 - 50mm	0.01mm	<b>126-126</b>	±4µm	290
50 - 75mm	0.01mm	<b>126-127</b>	±4µm	390
75 - 100mm	0.01mm	<b>126-128</b>	±5µm	450
100 - 125mm	0.01mm	<b>126-129</b>	±5µm	530
125 - 150mm	0.01mm	<b>126-130</b>	±5µm	620
150 - 175mm	0.01mm	<b>126-131</b>	±6µm	730
175 - 200mm	0.01mm	<b>126-132</b>	±6µm	860
200 - 225mm	0.01mm	<b>126-133</b>	±6µm	1,030
225 - 250mm	0.01mm	<b>126-134</b>	±7µm	1,200
250 - 275mm	0.01mm	<b>126-135</b>	±7µm	1,370
275 - 300mm	0.01mm	<b>126-136</b>	±7µm	1,540

Inch				
Range	Graduation	Order No.	Accuracy	Mass (g)
0 - 1"	.001"	<b>126-137</b>	±.0002"	240
1 - 2"	.001"	<b>126-138</b>	±.0002"	290
2 - 3"	.001"	<b>126-139</b>	±.0002"	390
3 - 4"	.001"	<b>126-140</b>	±.00025"	450
4 - 5"	.001"	<b>126-141</b>	±.00025"	530
5 - 6"	.001"	<b>126-142</b>	±.00025"	620

Inch		With anvil set (126 - 800)		
Range	Graduation	Order No.	Accuracy	Mass (g)
0 - 1"	.001"	<b>126-901</b>	±.0002"	240
1 - 2"	.001"	<b>126-902</b>	±.0002"	290
2 - 3"	.001"	<b>126-903</b>	±.0002"	390
3 - 4"	.001"	<b>126-904</b>	±.00025"	450
4 - 5"	.001"	<b>126-905</b>	±.00025"	530
5 - 6"	.001"	<b>126-906</b>	±.00025"	620

### DIMENSIONS



### Technical Data

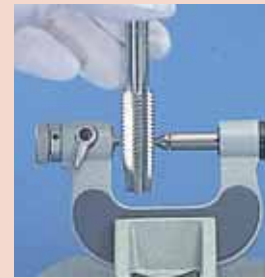
Resolution\*: 0.001mm or .00005"/0.001mm  
 Graduation\*\*: 0.01mm or .001"  
 Spindle feed error: 3µm / .00012"  
 Display\*: LCD  
 Battery\*: SR44 (1 pc.), **938882**  
 Battery life\*: Approx. 1.2 years under normal use  
 Dust/Water protection level\*: IP65  
 \*Digital models \*\*Analog models

### Function of Digital Model

Zero / ABS, Data hold, Data output, 2 Presets, Function Lock, inch/mm conversion (on inch/metric models only)  
 Alarm: Low voltage, Counting value composition error

### Optional Accessories

**05CZA662**: SPC cable with data switch (1m / 40")\*  
**05CZA663**: SPC cable with data switch (2m / 80")\*  
 \*Only for digital models  
 (See page B-53.): Standard for screw thread micrometer



Anvil-spindle tip set:  
 For Metric/Unified screws (60° threads)

Order No.	Included in set
<b>126-800</b>	0.4 - 0.5mm/64 - 48TPI ( <b>126-801</b> ) 0.6 - 0.9mm/44 - 28TPI ( <b>126-802</b> ) 1 - 1.75mm/24 - 14TPI ( <b>126-803</b> ) 2 - 3mm/13 - 9TPI ( <b>126-804</b> ) 3.5 - 5mm/8 - 5TPI ( <b>126-805</b> ) 5.5 - 7mm/4.5 - 3.5TPI ( <b>126-806</b> )

For Whitworth screws (55° threads)

Order No.	Assortment of anvil-spindle tips
<b>126-810</b>	60 - 48TPI ( <b>126-811</b> ) 48 - 40TPI ( <b>126-812</b> ) 40 - 32TPI ( <b>126-813</b> ) 32 - 24TPI ( <b>126-814</b> ) 24 - 18TPI ( <b>126-815</b> ) 18 - 14TPI ( <b>126-816</b> ) 14 - 10TPI ( <b>126-817</b> ) 10 - 7TPI ( <b>126-818</b> ) 7 - 4.5TPI ( <b>126-819</b> ) 4.5 - 3.5TPI ( <b>126-820</b> )